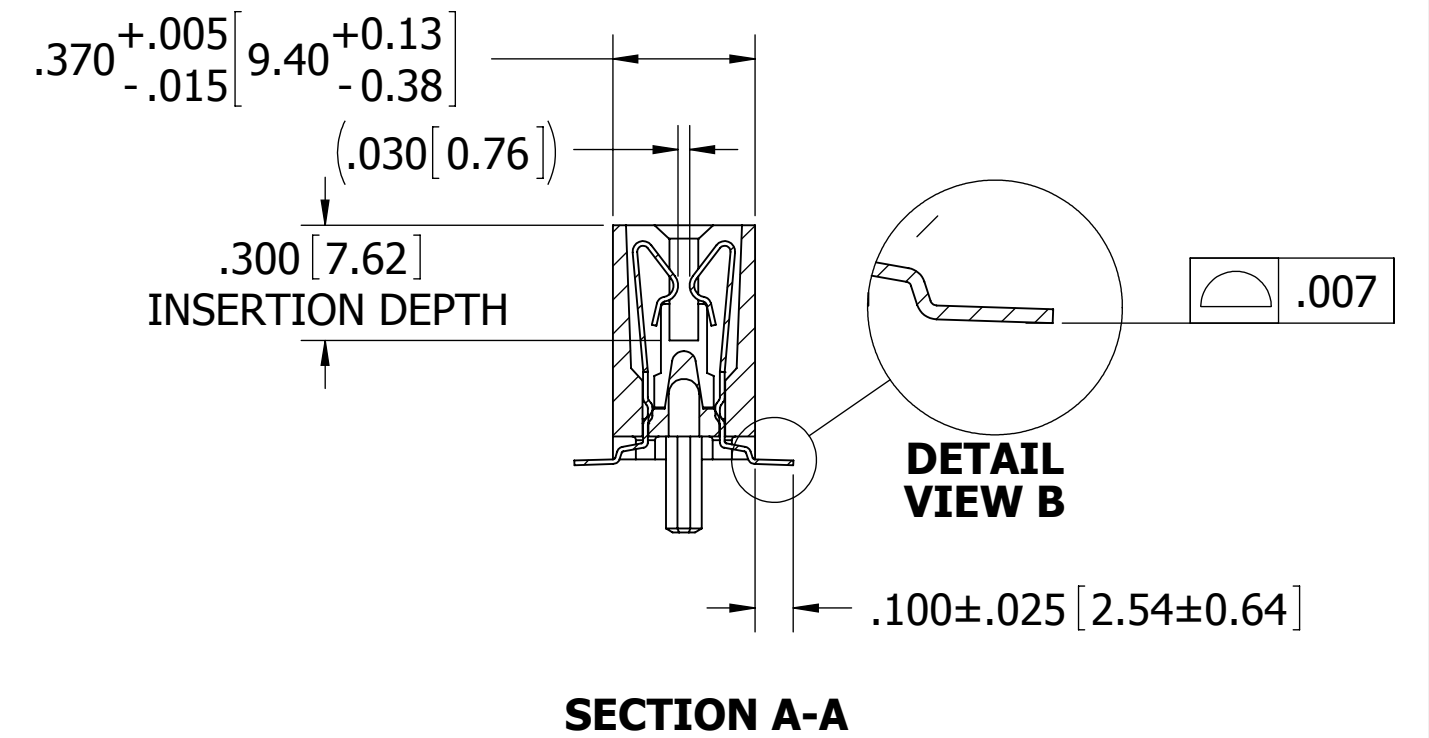
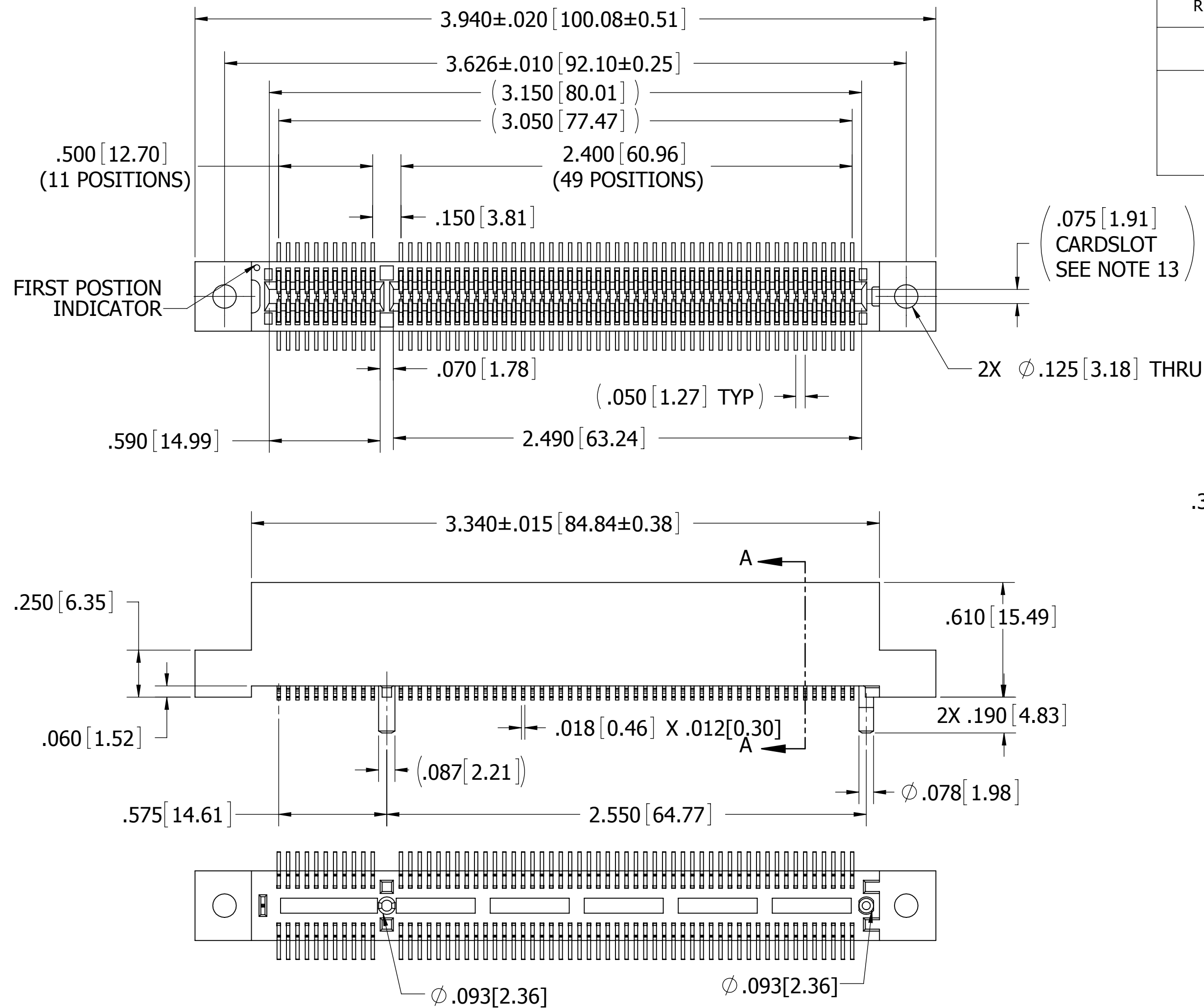


REVISIONS				
REV.	ECO. NO	DESCRIPTION	DATE	BY
A	1226	INITIAL RELEASE	09/24/07	ASK
B	3394	UPDATE DWG FORMAT, UPDATE RECOMMENDED PCB LAYOUT ON CUSTOMER COPY, UPDATE RECOMMENDED DAUGHTER CARD LAYOUT ON CUSTOMER COPY, UPDATE BODY WIDTH TOL TO +.005/-0.015, UPDATE MODIFICATION NOTE	03/03/2016	MG



NOTES:

- INSULATOR MATERIAL: SEE PART NUMBER CODING __ **B60DHF** - **S578**
- CONTACT MATERIAL: SEE PART NUMBER CODING
- PLATING: SEE PART NUMBER CODING
- OPERATING TEMPERATURE: SEE PART NUMBER CODING
- PROCESSING TEMP: SEE PART NUMBER CODING
- UL FLAMMABILITY RATING: 94V-0
- OPERATING VOLTAGE: 300 VAC
- CURRENT RATING: 1 AMP
- CONTACT RESISTANCE: 30 MILLI OHMS MAX
- INSULATION RESISTANCE: 5000 MEGA OHMS
- DURABILITY: 500 CYCLES MINIMUM
- CONNECTOR IDENTIFICATION: THE PART SHALL BE MARKED WITH A PART NUMBER AND LOT CODE
- BOARD THICKNESS ACCOMMODATED: $.062 \pm .008 [1.57 \pm 0.20]$
- INSERTION FORCE: 6 OZ MAX PER CONTACT PAIR WHEN USING A $.062 [1.57]$ TEST BLADE
- WITHDRAWAL FORCE: 1/2 OZ MIN PER CONTACT PAIR USING $.062 [1.57]$ TEST BLADE
- MODIFICATION: CARDSLOT BARRIERS WITH GUIDE POSTS FOR PCI 32 BIT, 3.3 OR 5 VOLT 60 (11/49) POSITION CONNECTOR (ROTATE BOARD 180° FOR CONVERISON 3.3 TO 5 VOLTS)



CUSTOMER COPY

UNLESS OTHERWISE SPECIFIED: DIMENSIONS ARE IN INCHES [MM]		DRAWN	DATE	NAME		
			12/22/06	SIR		
TOLERANCES:					<small>THE INFORMATION HEREIN CONTAINS PROPRIETARY INFORMATION OF SULLINS ELECTRONICS AND IS NOT TO BE REPRODUCED, USED OR DISCLOSED TO OTHERS FOR ANY PURPOSE EXCEPT AS SPECIFICALLY AUTHORIZED IN WRITING BY AN OFFICER OF SULLINS ELECTRONICS.</small>	
ANGULAR: $\pm 1^\circ$					TITLE EDGE CARD, .050 CC, HP	
DECIMALS .XX = $\pm .02 [0.5]$.XXX = $\pm .005 [0.13]$.XXXX = $\pm .0005 [0.013]$					PART NUMBER __ B60DHF __ - S578	
SCALE: 2:1		SIZE C	CAGE CODE 54453	DWG. NO. C10858	REV B	
				SHEET 1 OF 2		

PART NUMBER CODING

B60DHF -S578

MATERIALS (INSULATOR / CONTACT)

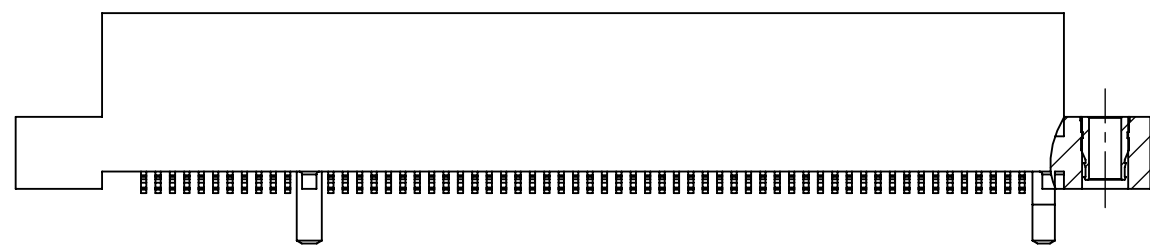
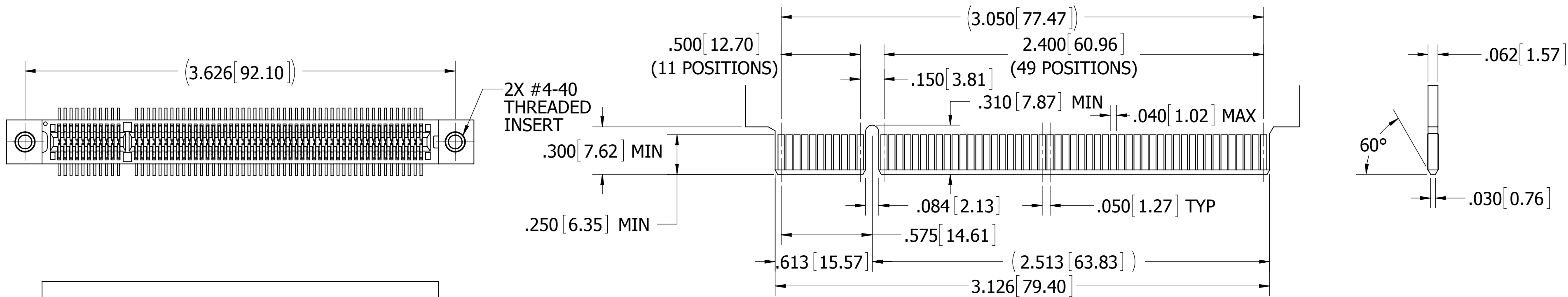
- R = PPS/PHOSPHOR BRONZE
OPERATING TEMP: -65°C TO +125°C
PROCESSING TEMP: 260°C MAX FOR 20 SECS
 - G = PA9T/PHOSPHOR BRONZE
OPERATING TEMP: -65°C TO +125°C
PROCESSING TEMP: 260°C MAX FOR 20 SECS
 - A = PPS/BERYLLIUM COPPER
OPERATING TEMP: -65°C TO +150°C
PROCESSING TEMP: 260°C MAX FOR 20 SECS
 - J = PA9T/BERYLLIUM COPPER
OPERATING TEMP: -65°C TO +150°C
PROCESSING TEMP: 260°C MAX FOR 20 SECS
- (CONSULT FACTORY FOR OTHER MATERIALS)

MOUNTING STYLE

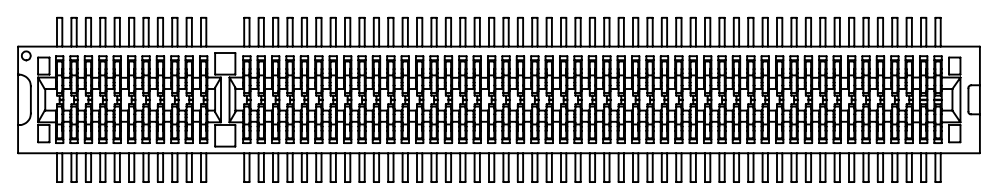
- N = NO MOUNTING
- D = .250[6.35] EARS, FLUSH MOUNTING, .125[3.18] DIAMETER
- T = .250[6.35] EARS, FLUSH MOUNTING, #4-40 THREADED INSERTS

PLATING

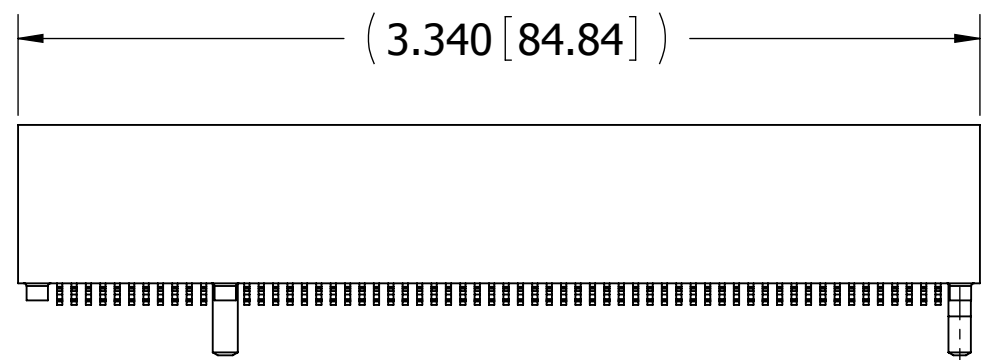
- ALL PLATINGS ARE LEAD FREE AND HAVE .000050" NICKEL UNDERPLATE
- | | |
|-------------------|--------------------------|
| CONTACT SURFACE | TERMINATION |
| B = .000010" GOLD | .000100" PURE TIN, MATTE |
| C = .000030" GOLD | .000100" PURE TIN, MATTE |



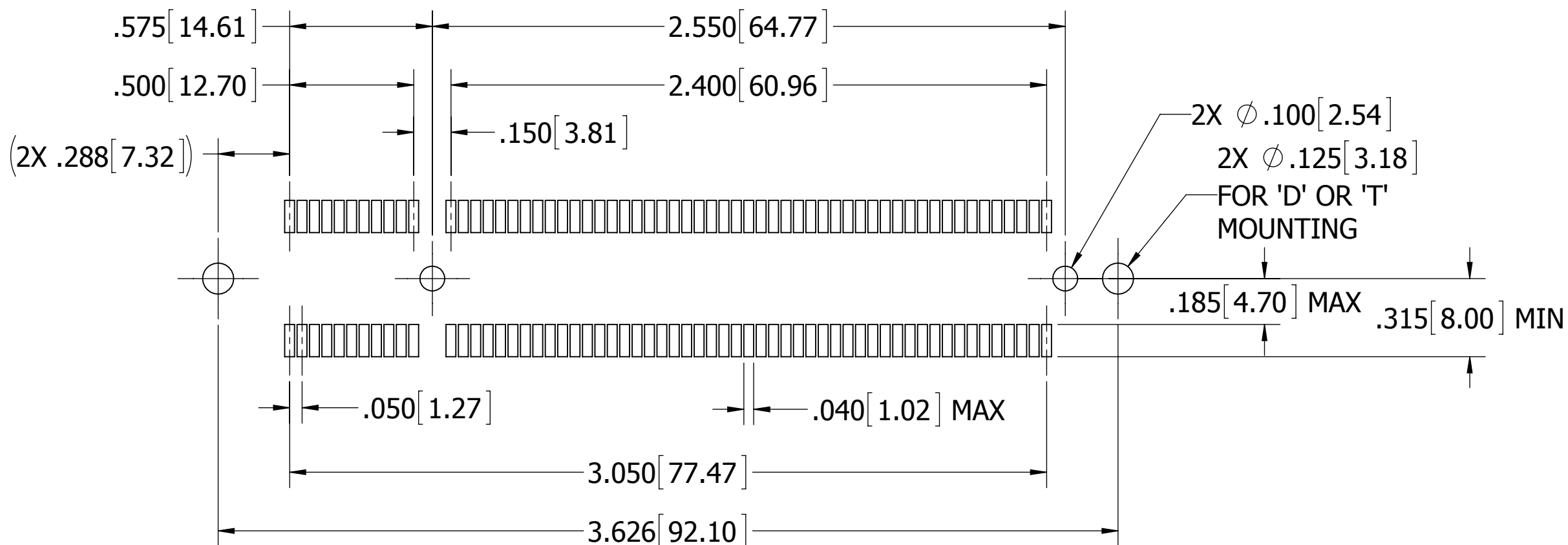
__ B60DHFT - S578



(3.340 [84.84])

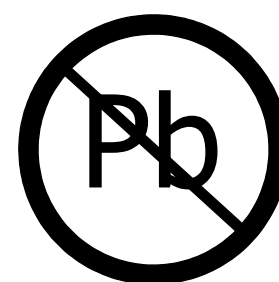


__ B60DHFN - S578



RECOMMENDED PCB LAYOUT

CUSTOMER COPY



RoHS COMPLIANT

UNLESS OTHERWISE SPECIFIED:
DIMENSIONS ARE IN INCHES [MM]

TOLERANCES:

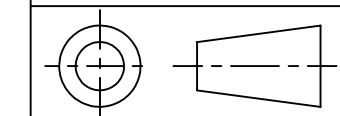
ANGULAR: ± 1°

DECIMALS

- .XX = ± .02 [.5]
- .XXX = ± .005 [.13]
- .XXXX = ± .0005 [.013]

DRAWN	DATE	NAME
	12/22/06	SIR

THE INFORMATION HEREIN CONTAINS PROPRIETARY INFORMATION OF SULLINS ELECTRONICS AND IS NOT TO BE REPRODUCED, USED OR DISCLOSED TO OTHERS FOR ANY PURPOSE EXCEPT AS SPECIFICALLY AUTHORIZED IN WRITING BY AN OFFICER OF SULLINS ELECTRONICS.



SULLINS CONNECTOR SOLUTIONS			
TITLE EDGECARD, .050 CC, HP			
PART NUMBER __ B60DHF -S578			
SIZE	CAGE CODE	DWG. NO.	REV
C	54453	C10858	B
SCALE: 1.5:1		SHEET 2 OF 2	