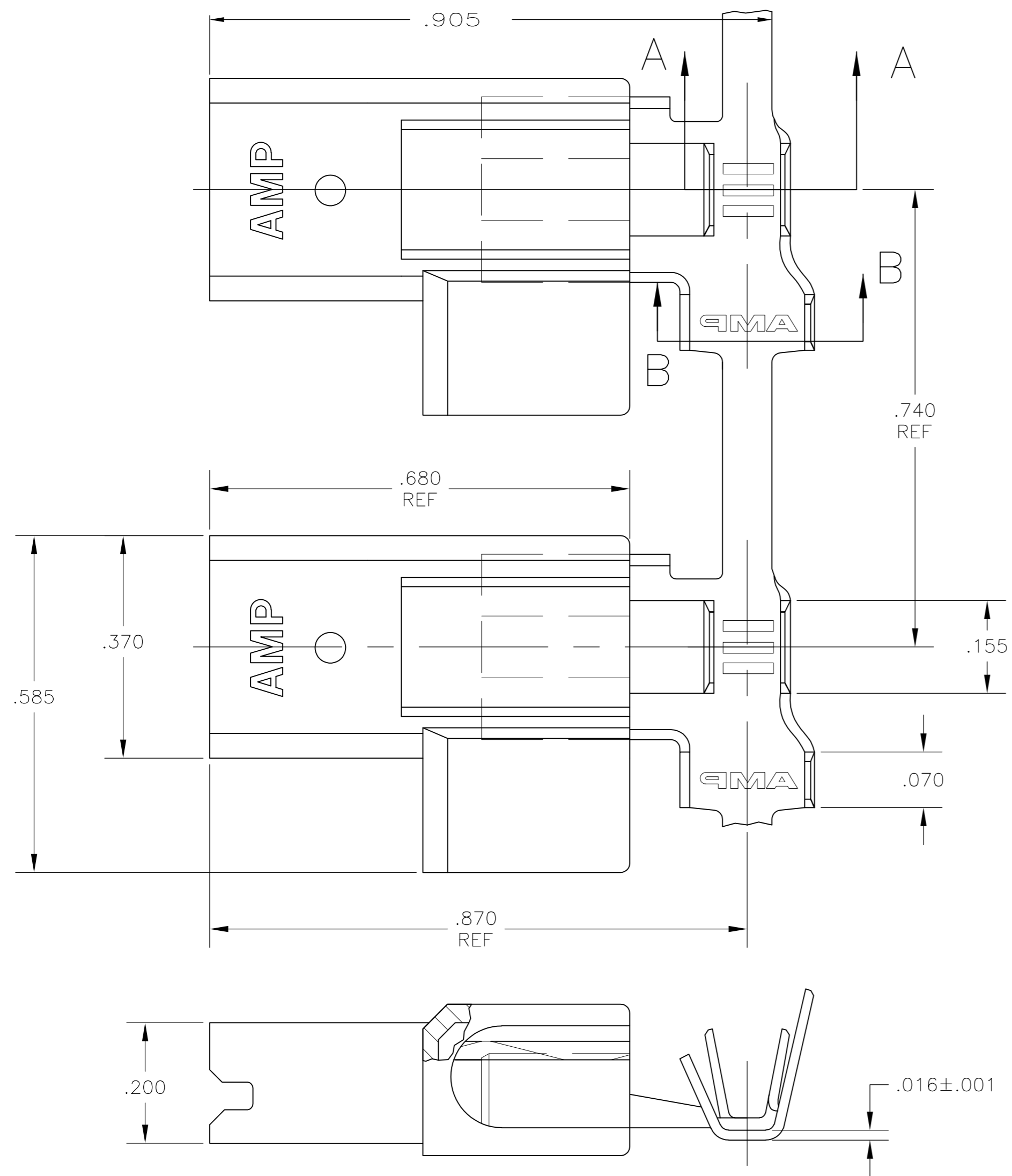
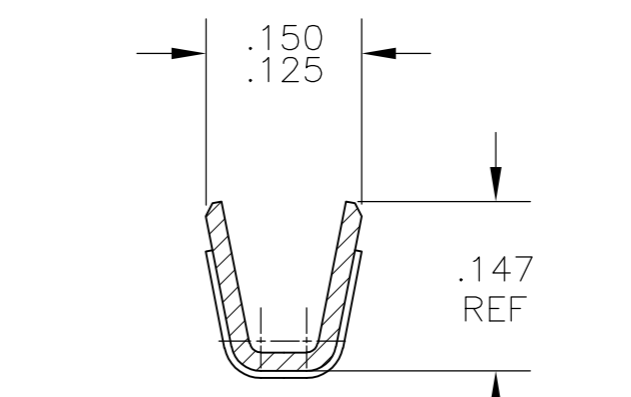


THIS DRAWING IS UNPUBLISHED. RELEASED FOR PUBLICATION
 © COPYRIGHT BY TYCO ELECTRONICS CORPORATION. ALL INTERNATIONAL RIGHTS RESERVED.

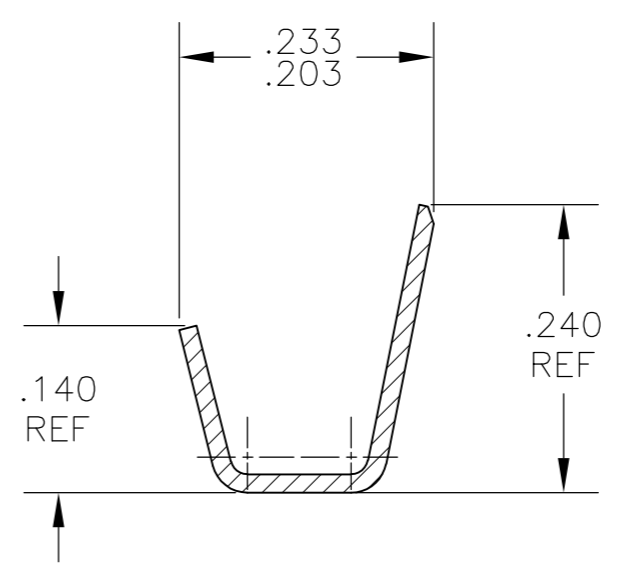
LOC	DIST	REVISIONS			
P	LTR	DESCRIPTION	DATE	DWN	APVD
AF	50	B1	REVISED PER ECR-09-012458	03JUN09	HMR GP



- 1 BUDGET FLAG FASTON TERMINALS, BASE P/N 63559, ARE USED IN THIS PRODUCT.
- 2 WIRE SIZE #18-#14 AWG.
- 3 INSULATION RANGE IS .110-.160 DIA
- 4 PRELIMINARY - NOT FOR PRODUCTION



SECTION A-A



SECTION B-B

NYLON 6/6 - NAT (WHT)	TIN PLATE - 4M HARD BRASS	521583-2
NYLON 6/6 - NAT (WHT)	PLAIN - 4M HARD BRASS	4 521583-1
HOUSING MATERIAL & COLOR	TERMINAL FINISH - MATERIAL	PART NUMBER

THIS DRAWING IS A CONTROLLED DOCUMENT.		DWN	31OCT02	Tyco Electronics Corporation	
DIMENSIONS: INCHES		CHK	N DEIBERT	Harrisburg, PA 17105-3608	
TOLERANCES UNLESS OTHERWISE SPECIFIED:		APVD	N DEIBERT	NAME	
0 PLC	± -	PRODUCT SPEC		ASSEMBLY, RECEPTACLE, FLAG, ULTRA-POD, .250 SERIES	
1 PLC	± -	APPLICATION SPEC		-	
2 PLC	± -	108-1285		SIZE	A2
3 PLC	± .010	114-2124		CAGE CODE	00779
4 PLC	± -	WEIGHT -		DRAWING NO	C=521583
ANGLES	± -	FINISH		RESTRICTED TO	-
MATERIAL	SEE TABLE	CUSTOMER DRAWING		SCALE	6:1
				SHEET	1 of 1
				REV	B1

521583

Mouser Electronics

Authorized Distributor

Click to View Pricing, Inventory, Delivery & Lifecycle Information:

[TE Connectivity:](#)

[521583-2](#)