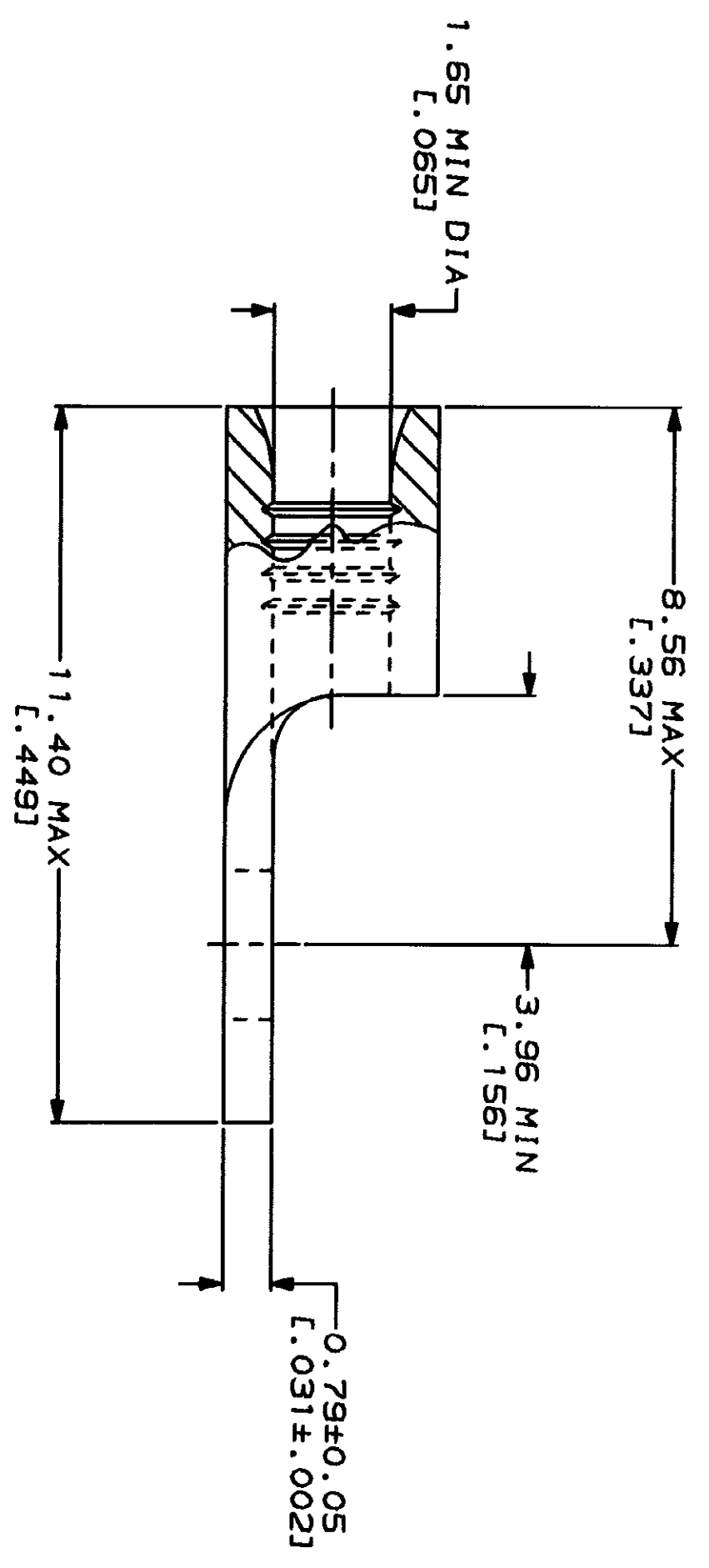
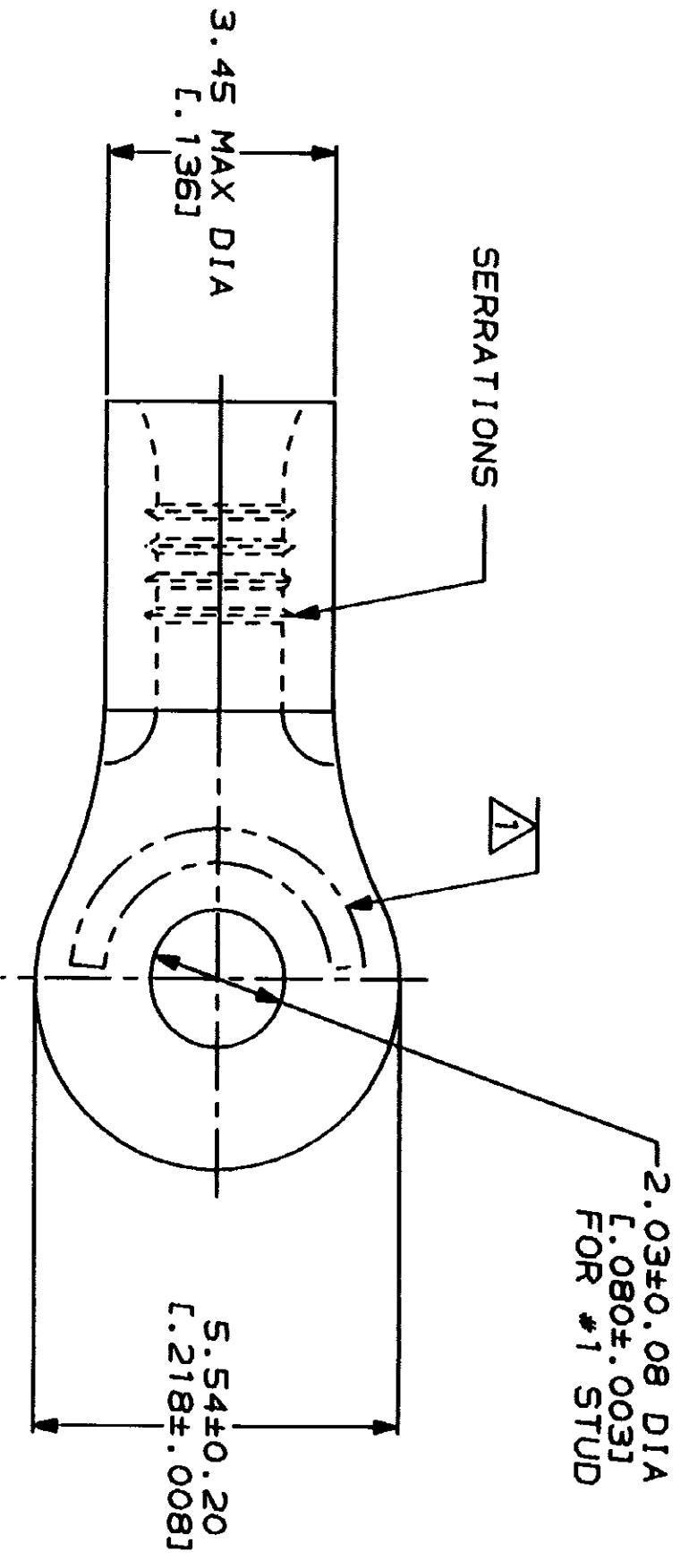


LOC	QTY	REV	ZONE	LTR	DESCRIPTION	DATE	APPD
G	14				REVISED PER 0720-0230-93	2/25/94	AMP

**METRIC**  
DIMENSIONS LISTED IN mm [ INCHES ]

<b>AMP</b> WIRE RANGE 22-16 AWG STRANDED	<b>UL</b> E13288 Listed
<b>AMP</b> WIRE RANGE 22-16 AWG STRANDED	<b>MILITARY P/N</b> AND CLASS NOT APPLICABLE

△ STAMP AMP 22-18\* APPROX AS SHOWN  
22-16 TERMINALS ARE STAMPED 22-18 IN  
ACCORDANCE WITH MILITARY SPECIFICATION  
MIL-T-7928, COMMERCIAL WIRE RANGE IS 22-16



**AMP INCORPORATED**  
CUSTOMER SERVICE SYSTEMS

FOR ADDITIONAL PRODUCT INFORMATION OR COPIES OF DRAWINGS AND TECHNICAL DOCUMENTS  
PRODUCT INFORMATION CENTER  
1-800-522-6752

FOR APPLICATION TOOLING INFORMATION  
TOOLING ASSISTANCE CENTER  
1-800-722-1111

FOR ORDER ENTRY  
1-800-526-5142

MAX RECOMMENDED OPERATING TEMPERATURE: 170°C MAX  
VOLTAGE RATING: NOT APPLICABLE  
WIRE CROSS SECTIONAL AREA RANGE: 0.26-1.65mm<sup>2</sup> [509-3,260] CIR MILS STRANDED

DO NOT SCALE PRINT. DIMENSIONS SPECIFIED IN INCHES - TOLERANCES ON DIMENSIONS: 2 PLC DEC # - 3 PLC DEC # - ANGLES MATERIAL COPPER PER ASTM B-152 ANNEALED

FINISH TIN PLATE  
0.00254[L.000100] MIN THK PER MIL-T-10727

DR 1-27-93 TA BRINKMAN  
CHK 1-27-93 DA PATTERSON  
APPD 1-27-93 DE MILLER  
APPD 1-27-93 JL HECKLEY  
PRODUCT SPEC

**AMP**  
AMP Incorporated  
Harrisburg, PA 17105-3608

TERMINAL, RING TONGUE, BUDGET  
NAME  
SIZE CAGE CODE DRAWING NO  
SCALE 10:1  
G 00779 G-31087

31087 PART NO  
31087  
CUSTOMER DRAWING  
1 OF 1 SHEET

# Mouser Electronics

Authorized Distributor

Click to View Pricing, Inventory, Delivery & Lifecycle Information:

[TE Connectivity:](#)

[31087](#)