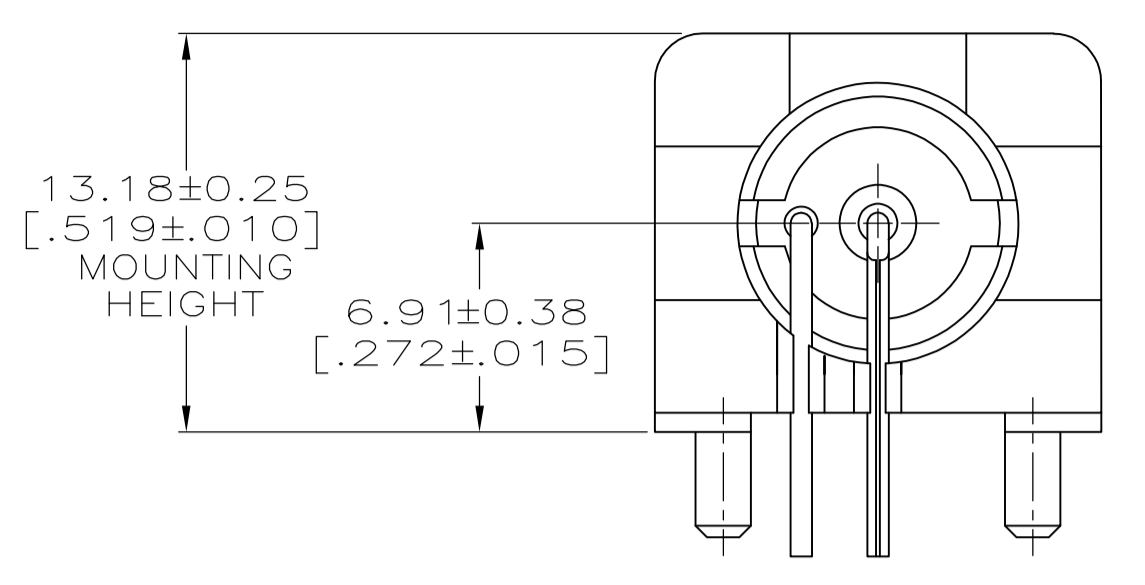
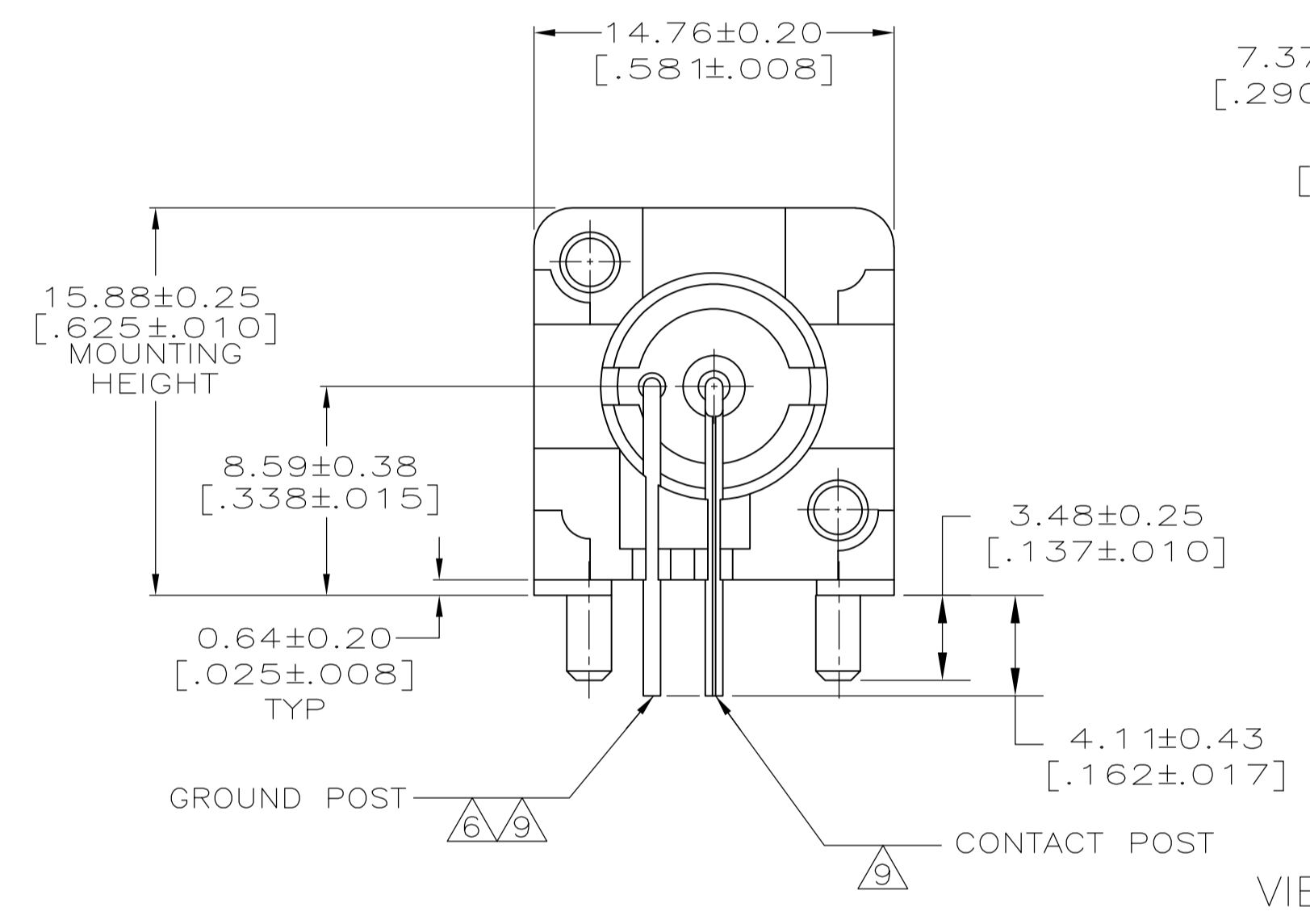
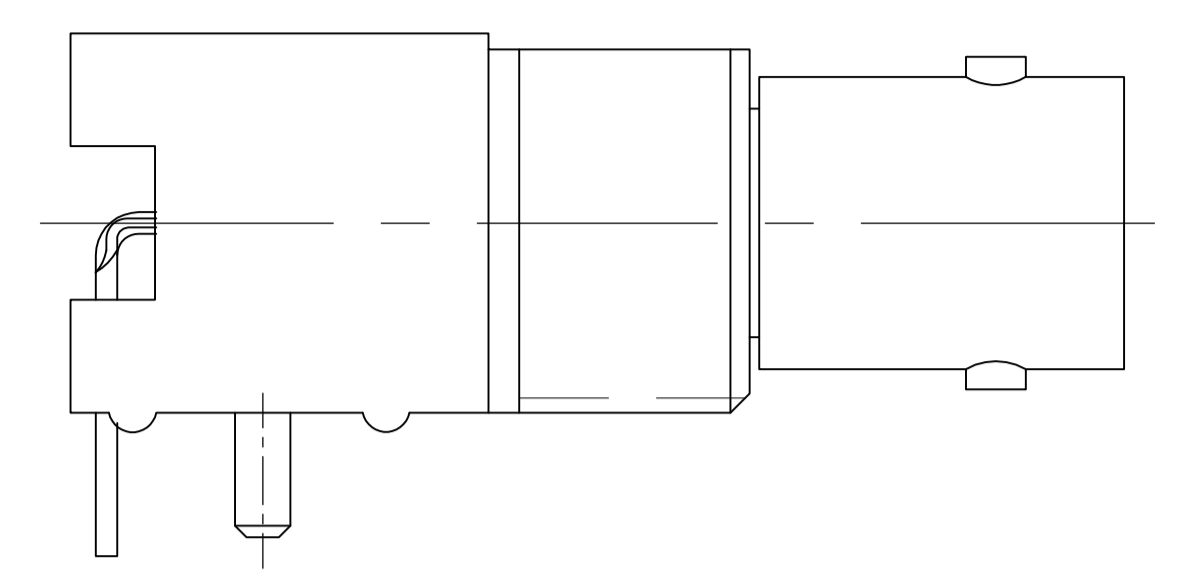


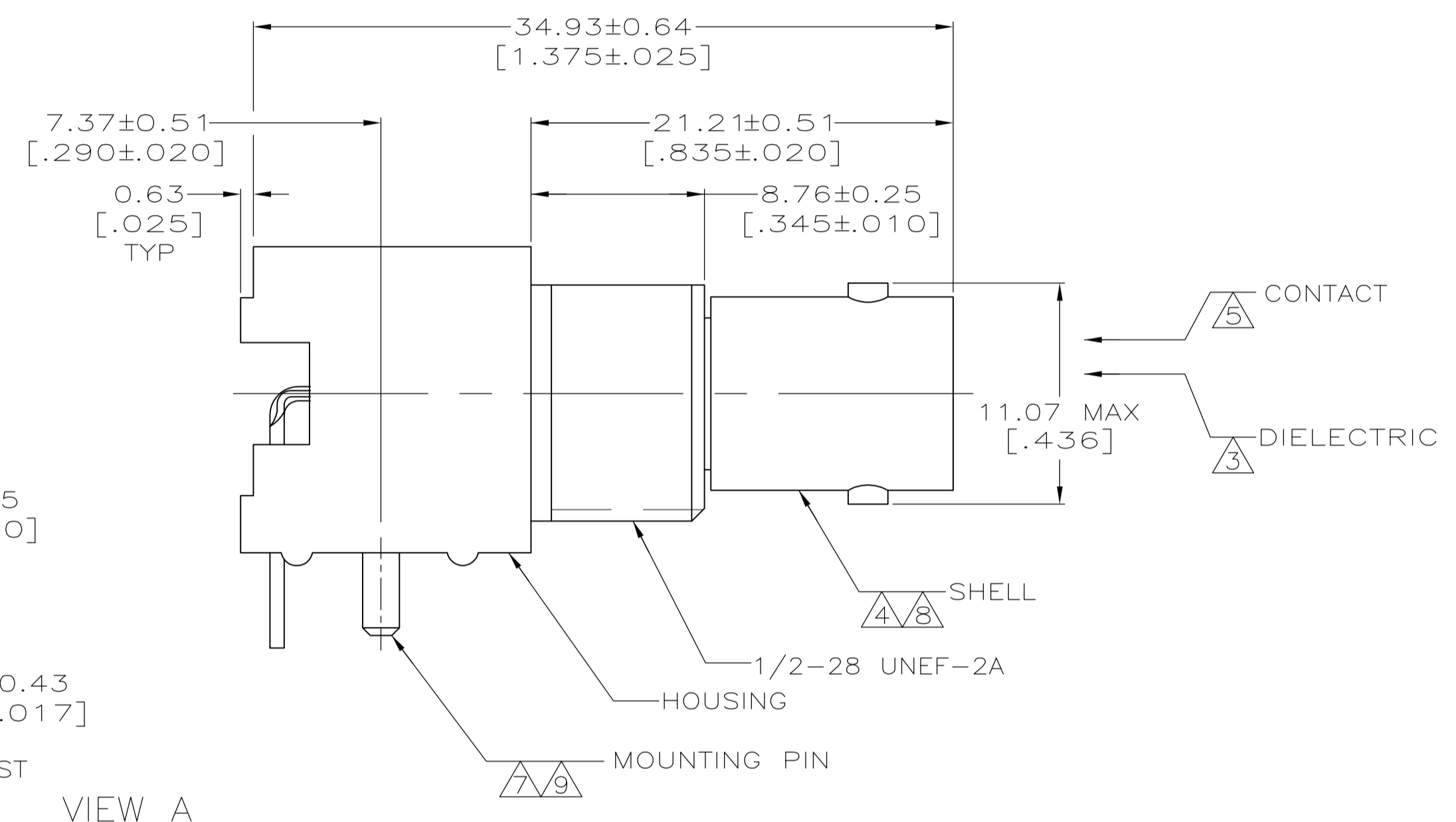
| REVISIONS |             |               |           |     |      |
|-----------|-------------|---------------|-----------|-----|------|
| P         | LTR         | DESCRIPTION   | DATE      | DMN | APVD |
| B2        | REVISED PER | ECR-15-016187 | 16DEC2015 | LN  | RS   |



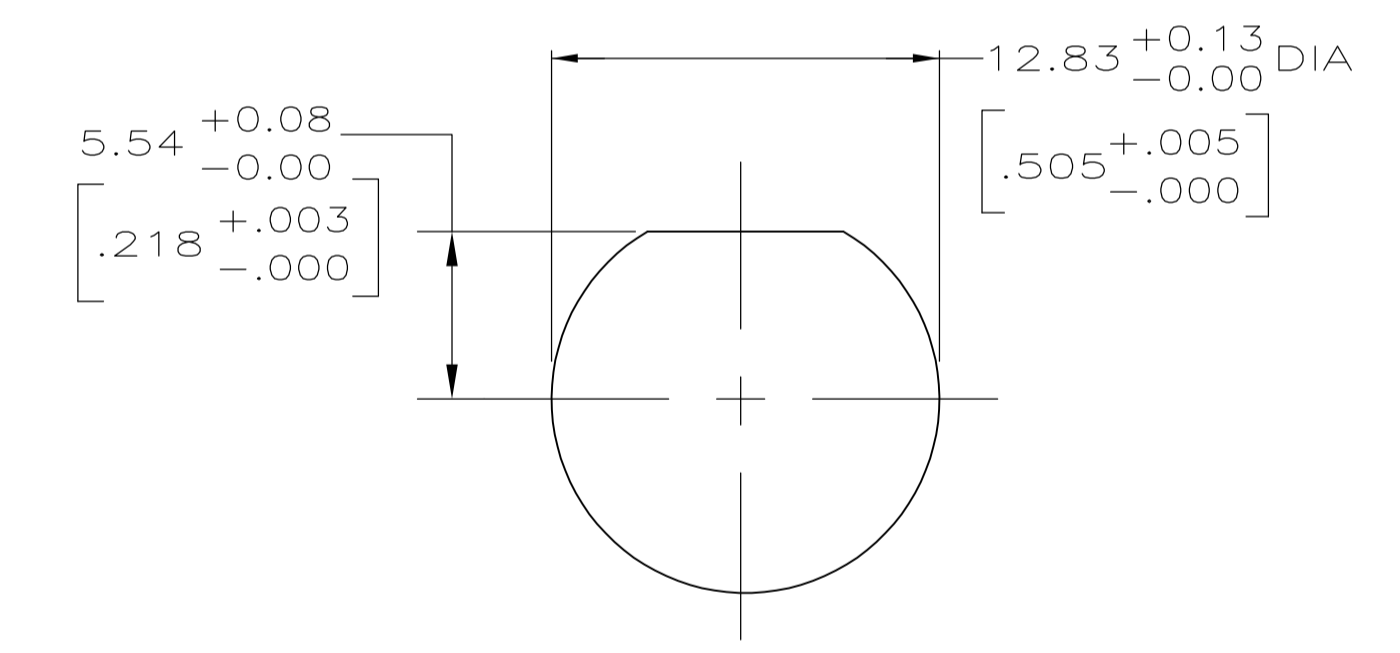
VIEW C  
(SAME AS VIEW A  
EXCEPT AS SHOWN)



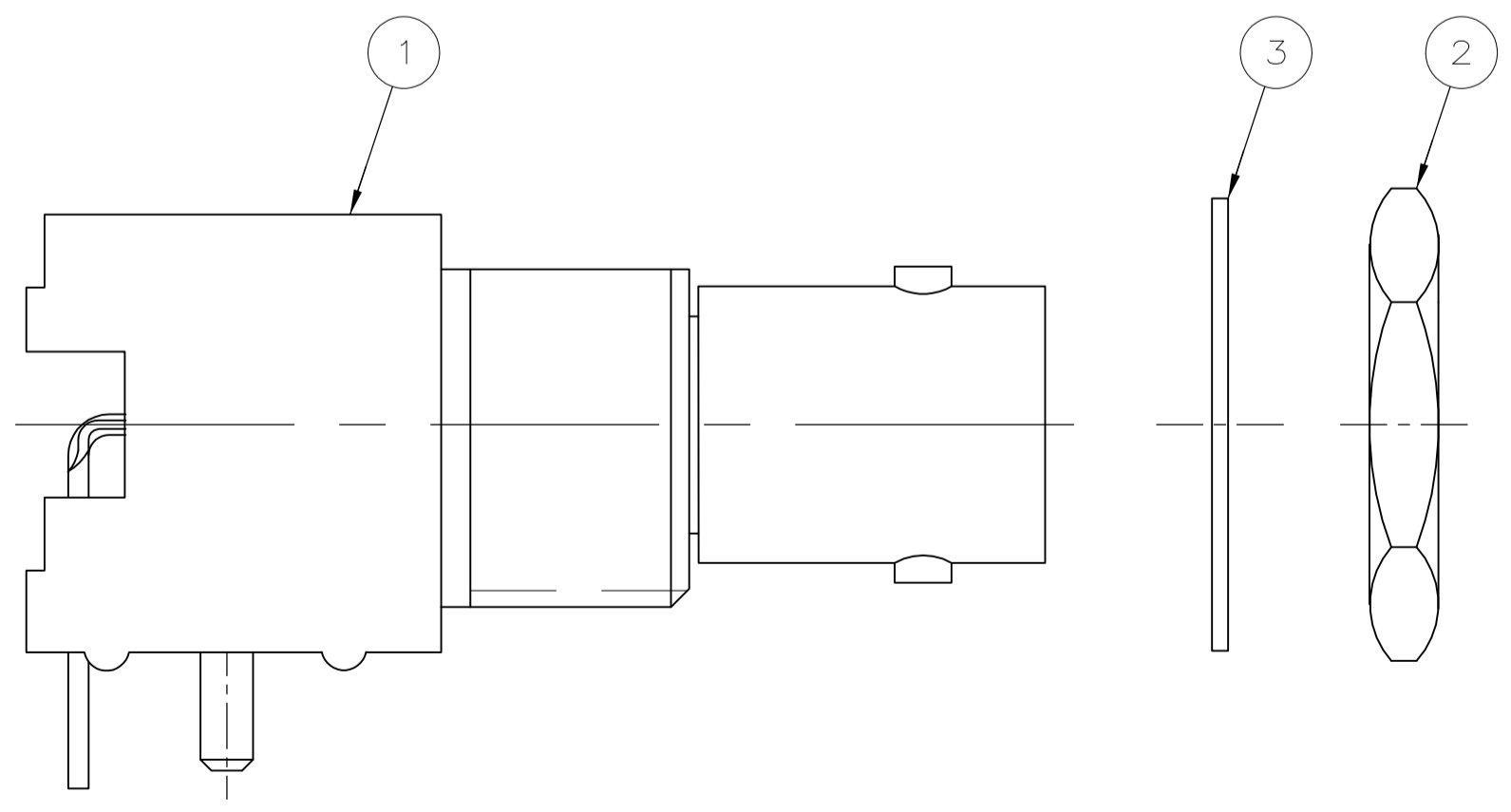
VIEW A



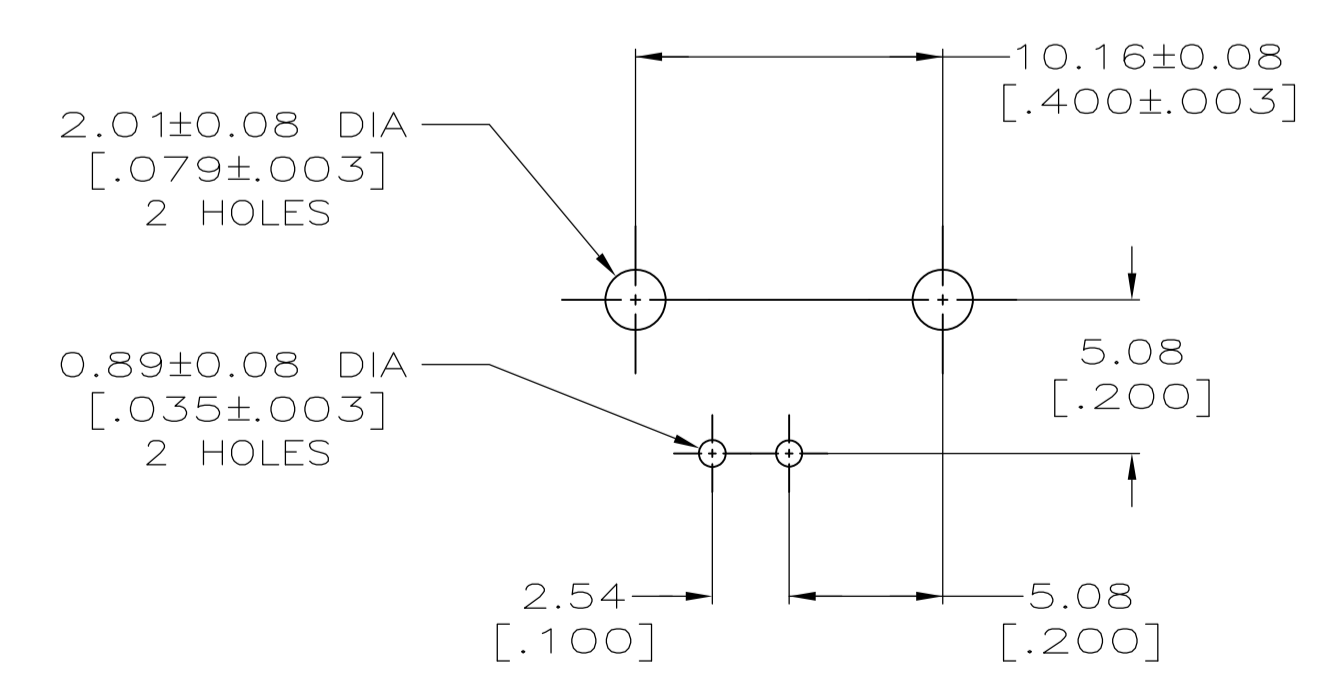
- 1 POLYESTER PBT PER MIL-M-24519, TYPE GPT-15F, UL94V-O RATED, COLOR:WHITE
- 2 POLYESTER PBT PER MIL-M-24519, TYPE GPT-15F, UL94V-O RATED, COLOR:BLACK
- 3 POLYMETHYLPENTENE, GENERAL PURPOSE.
- 4 ZINC PER QQ-Z-363.
- 5 PHOSPHOR BRONZE PER QQ-B-750.
- 6 BRASS PER ASTM-B-453.
- 7 BRASS PER ASTM-B-16.
- 8 NICKEL PLATE PER QQ-N-290, 3.81 μm [.000150] MINIMUM THICK.
- 9 TIN PLATE PER ASTM-B-545, 3.81 μm [.000150] MINIMUM THICK.
- 10 GOLD PLATE PER MIL-G-45204, 0.76 μm [.000030] MINIMUM THICK.
- 11 GOLD PLATE PER MIL-G-45204, 1.27 μm [.000050] MINIMUM THICK.
- 12. SEE INSTRUCTION SHEET 408-2769.
- 13. RECOMMENDED TORQUE FOR NUT(part 2) : 0.9 Nm.



RECOMMENDED PANEL CUTOUT



VIEW B



PCB CONFIGURATION

|                |                  |      |              |                    |                     |             |
|----------------|------------------|------|--------------|--------------------|---------------------|-------------|
| -              | -                | B    | 1-329632-2   | 1-329631-2         | 5227161-9           | 1-5227161-7 |
| -              | -                | B    | 1-329632-2   | 1-329631-2         | 5227161-6           | 1-5227161-6 |
| 1              | 1                | C    | -            | -                  | -                   | 1-5227161-5 |
| 2              | 2                | C    | -            | -                  | -                   | 5227161-9   |
| 3              | 3                | C    | -            | -                  | -                   | 5227161-7   |
| 4              | 4                | A    | -            | -                  | -                   | 5227161-6   |
| 5              | 5                | A    | -            | -                  | -                   | 5227161-3   |
| 6              | 6                | A    | -            | -                  | -                   | 5227161-2   |
| 7              | 7                | A    | -            | -                  | -                   | 5227161-1   |
| CONTACT FINISH | HOUSING MATERIAL | VIEW | 3 LOCKWASHER | 2 JAM NUT<br>QTY=1 | 1 ASSEMBLY<br>QTY=1 | PART NUMBER |

THIS DRAWING IS A CONTROLLED DOCUMENT.

|                    |  |                           |                 |
|--------------------|--|---------------------------|-----------------|
| DIMENSIONS: INCHES | TOLERANCES UNLESS OTHERWISE SPECIFIED: | DIN L. VARELA - 20APR2005 | TE Connectivity |
| 0 PL ± -           | 1 PL ± -                               | J. HAVENER 20APR2005      | NAME            |
| 2 PL ± 0.05 [.002] | 3 PL ± -                               | S. BURKHOLDER 20APR2005   | PRODUCT SPEC    |
| 4 PL ± -           | ANGLES ± -                             |                           | 108-12078       |
| MATERIAL           | FINISH                                 | SIZE                      | CAGE CODE       |
|                    |  | A1                        | 00779           |
|                    |  | WEIGHT                    | DRAWING NO      |
|                    |  |                           | 5227161         |
|                    |  | CUSTOMER DRAWING          | SCALE 4:1       |
|                    |  |                           | SHEET 1 OF 1    |
|                    |  |                           | REV B2          |

# Mouser Electronics

Authorized Distributor

Click to View Pricing, Inventory, Delivery & Lifecycle Information:

[TE Connectivity:](#)

[5227161-6](#)