

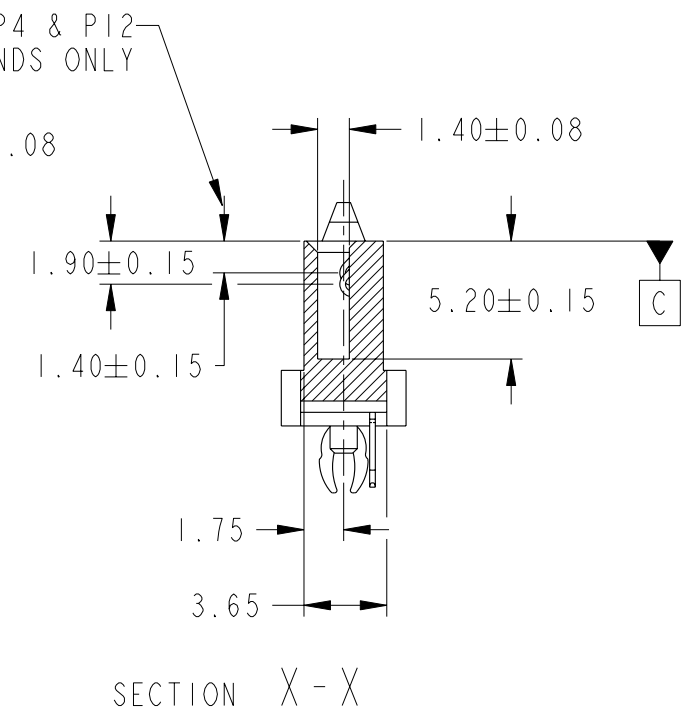
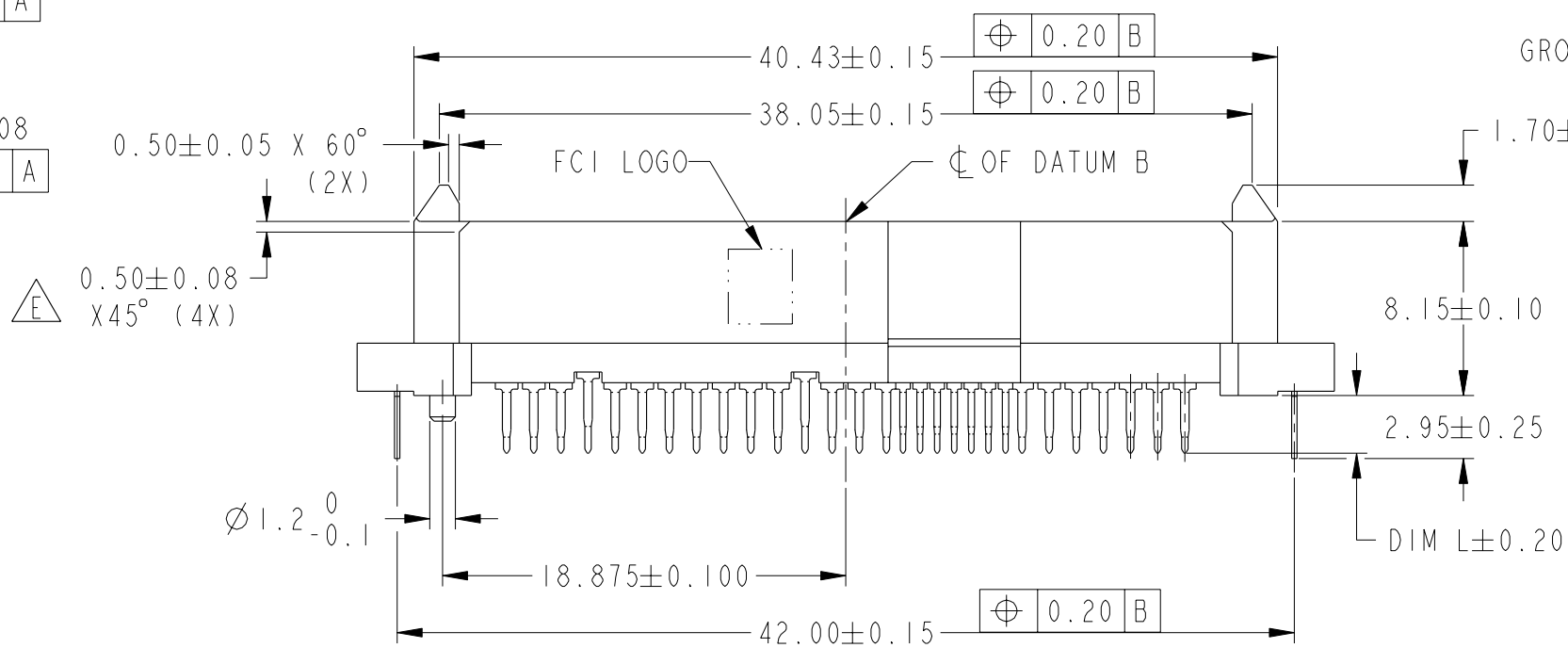
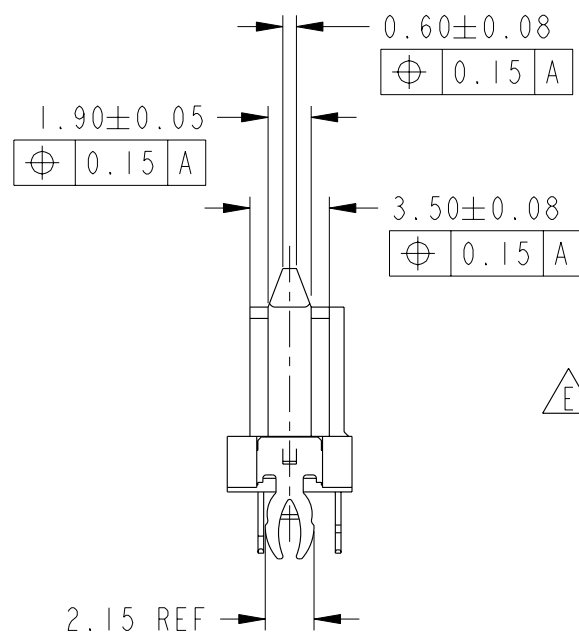
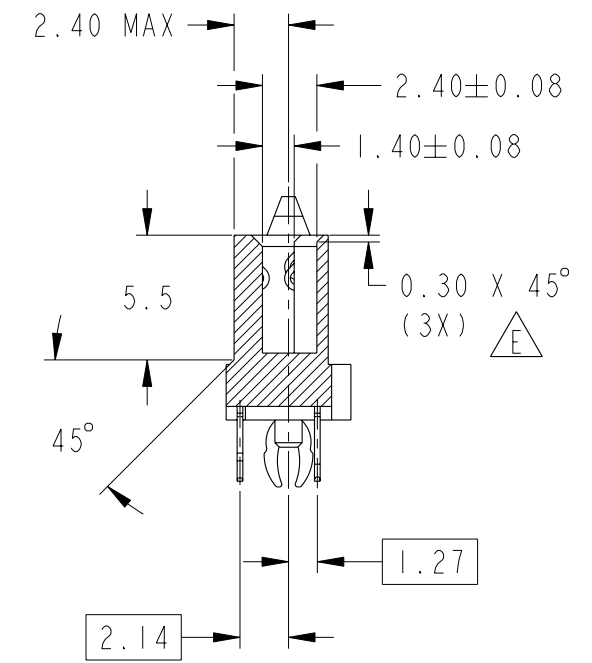
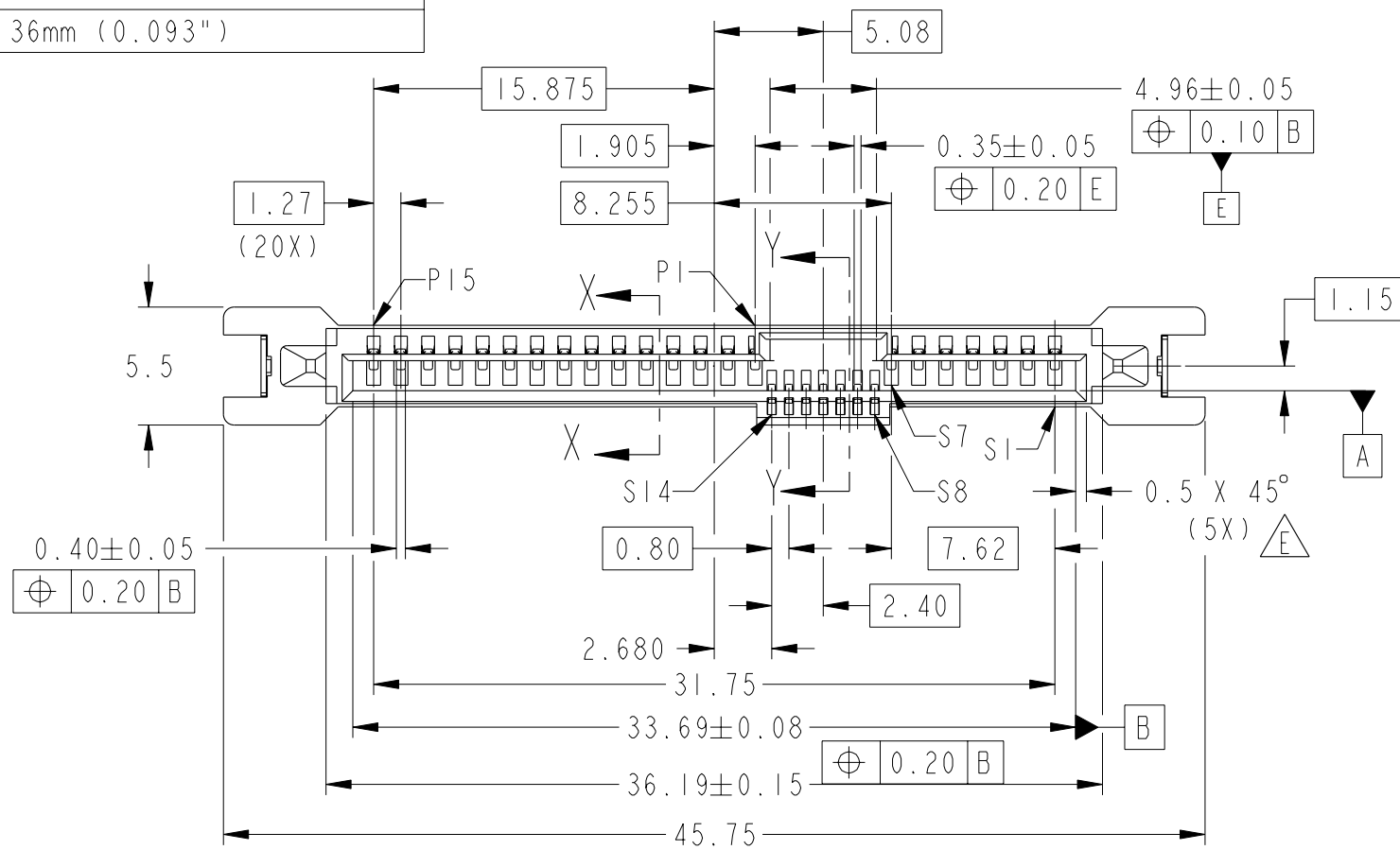
PRODUCT NO	DIM L	RECOMMENDED P.C. BOARD THICKNESS
10018182-00ILF	2.70	1.57mm (0.062") / 2.36mm (0.093")
10018182-01ILF	3.70	2.36mm (0.093")

A

B

C

D



A

B

C

D

spec ref	-	dr	GL LOO	2004-02-27	projection	MM	size	A3	scale	3:1
tolerance std	ISO 406 ISO 1101	eng	GL LOO	2004-02-27			ecn no	S10-0228	rel level	-
TOLERANCES UNLESS OTHERWISE SPECIFIED		chr	GL LOO	2010-10-28						
surface	ISO 1302	appr	JOEY NG	2010-10-28	SAS RECEPTACLE VERTICAL TH TYPE ASSY		dwg no	10018182	rev	E
	linear	0.X	±		www.fci.com		cat. no.	-	Product - Customer Drw	sheet 1 of 2
	angular	0°	±2°		PDS: Rev :E		STATUS:Released		Printed: Nov 01, 2011	

2

3


4

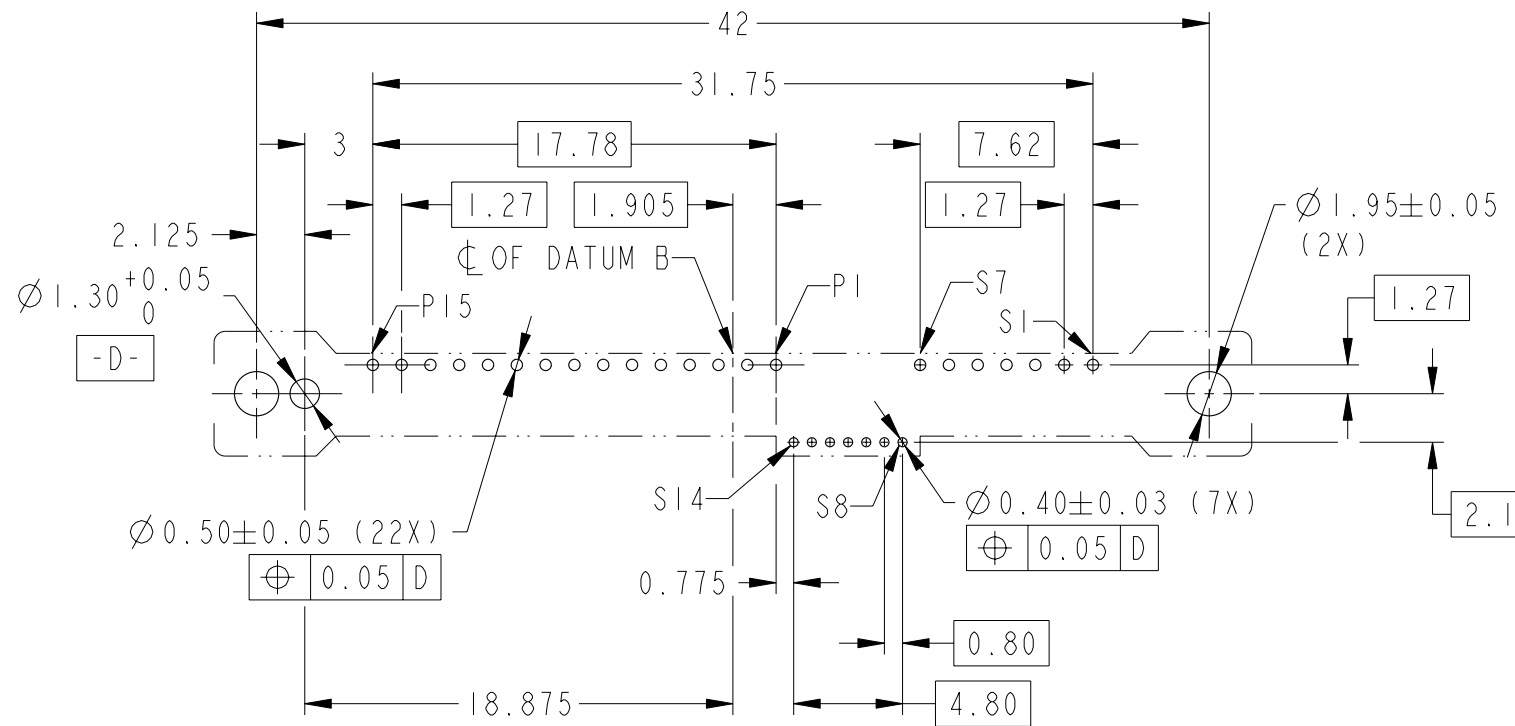
PDS: Rev :E

STATUS:Released

Printed: Nov 01, 2011

NOTES:

1. MATERIAL :
 1) HOUSING : HIGH TEMP THERMOPLASTIC, UL 94V-0
 COLOR : BLACK
 2) TERMINAL : COPPER ALLOY
 3) HOLD DOWN : COPPER ALLOY
2. FINISH :
 1) TERMINAL : 30μ" Au PLATING (CONTACT POINT) OVER 50μ" NICKEL
 2) SOLDER TAIL : 50μ" MIN Sn OVER 50μ" NICKEL
 3) HOLD DOWN : 50μ" MIN Sn OVER 50μ" NICKEL
3. PER SFF REV 1.1 EXCEPT 0.8mm PITCH BUMP AREA.
4. THE STD PACKAGING IS IN TRAY.
5. THE HOUSING WILL WITHSTAND EXPOSURE TO 260°C PEAK TEMPERATURE FOR 10 SECONDS IN A WAVE SOLDER APPLICATION WITH A 1.57mm MINIMUM THICK CIRCUIT BOARD.
6. THIS PRODUCT MEETS EUROPEAN UNION DIRECTIVES AND OTHER COUNTRY REGULATIONS AS DESCRIBED IN GS-22-008.
7. PART NUMBERS ENDING IN "LF" MEANS FOR NOTE 6 LEAD FREE IDENTIFICATION.
~~P/N XXXXXXXX-XXXLF IS EQUIVALENT TO PREVIOUS P/N XXXXXXXX-XXX.~~
8. A  SYMBOL WILL BE NEXT TO ANY DIMENSION, VIEW, OR NOTE WHICH HAS BEEN MODIFIED WITH THE CURRENT DRAWING REVISION.



RECOMMENDED P.C.B LAYOUT



Copyright FCI.

spec ref -		dr	GL LOO	2004-02-27	projection	MM	size	A3	scale	3:1	
tolerance std		eng	GL LOO	2004-02-27		←→	ecn no		S10-0228		
ISO 406 ISO 1101		chr	GL LOO	2010-10-15			rel level		-		
TOLERANCES UNLESS OTHERWISE SPECIFIED		appr	JOEY NG	2010-10-15	product family		-		-		
surface	linear	0.X	±-		SAS RECEPTACLE VERTICAL TH TYPE ASSY			dwg no 10018182		rev E	
		0.XX	±0.20								
		0.XXX	±-								
ISO 1302	angular	0°	±2°	www.fci.com	cat. no.	-	Product - Customer Drw		sheet 2 of 2		

Mouser Electronics

Authorized Distributor

Click to View Pricing, Inventory, Delivery & Lifecycle Information:

[FCI / Amphenol:](#)

[10018182-001LF](#) [10018182-011LF](#)