

## FEATURES

- 0.5  $\Omega$  typical on resistance
- 0.8  $\Omega$  maximum on resistance at 125°C
- 1.65 V to 3.6 V operation
- Automotive temperature range: -40°C to +125°C
- High current carrying capability: 300 mA continuous
- Rail-to-rail switching operation
- Fast switching times: <25 ns
- Typical power consumption <0.1  $\mu$ W

## APPLICATIONS

- Cellular phones
- MP3 players
- Power routing
- Battery-powered systems
- PCMCIA cards
- Modems
- Audio and video signal routing
- Communications systems

## GENERAL DESCRIPTION

The [ADG811/ADG812](#) are low voltage complementary metal-oxide semiconductor (CMOS) devices containing four independently selectable switches. These switches offer an ultralow on resistance of less than 0.8  $\Omega$  over the full temperature range. The digital inputs can handle 1.8 V logic with a 2.7 V to 3.6 V supply.

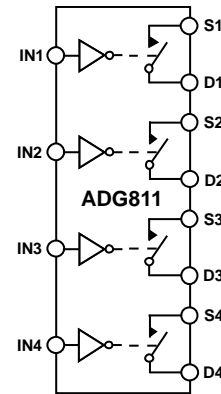
These devices contain four independent single-pole/single-throw (SPST) switches. The [ADG811](#) and [ADG812](#) differ only in that the digital control logic is inverted. The [ADG811](#) switches are turned on with a logic low on the appropriate control input, while a logic high is required to turn on the switches of the [ADG812](#). Each switch conducts equally well in both directions when on and has an input signal range that extends to the supplies.

Rev. C

[Document Feedback](#)

Information furnished by Analog Devices is believed to be accurate and reliable. However, no responsibility is assumed by Analog Devices for its use, nor for any infringements of patents or other rights of third parties that may result from its use. Specifications subject to change without notice. No license is granted by implication or otherwise under any patent or patent rights of Analog Devices. Trademarks and registered trademarks are the property of their respective owners.

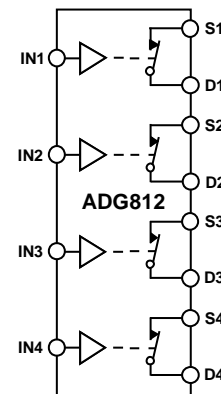
## FUNCTIONAL BLOCK DIAGRAMS



SWITCHES SHOWN FOR A LOGIC 1 INPUT

04306A-001

Figure 1.



SWITCHES SHOWN FOR A LOGIC 1 INPUT

04306A-101

Figure 2.

The [ADG811/ADG812](#) are fully specified for 3.3 V, 2.5 V, and 1.8 V supply operation. The [ADG811](#) is available in a 16-lead LFCSP, and the [ADG812](#) is available in a 16-lead TSSOP.

## PRODUCT HIGHLIGHTS

1. <0.8  $\Omega$  on resistance over the full temperature range of -40°C to +125°C.
2. Single 1.65 V to 3.6 V operation.
3. Operational with 1.8 V CMOS logic.
4. High current handling capability (300 mA continuous current at 3.3 V).
5. Low total harmonic distortion plus noise (THD + N) (0.02% typical).
6. Small, 3 mm  $\times$  3 mm, 16-lead LFCSP and 16-lead TSSOP.

## TABLE OF CONTENTS

Features .....	1
Applications .....	1
Functional Block Diagrams .....	1
General Description .....	1
Product Highlights .....	1
Revision History .....	2
Specifications .....	3
Absolute Maximum Ratings .....	6
ESD Caution .....	6

## REVISION HISTORY

### 7/2016—Rev. B to Rev. C

Deleted ADG813 .....	Universal
Changed CP-16-2 to CP-16-21 .....	Throughout
Changes to Figure 1 .....	1
Added Figure 2; Renumbered Sequentially .....	1
Deleted Table 6; Renumbered Sequentially .....	6
Changes to Figure 3 and Table 6 .....	7
Changes to Figure 4 and Table 7 .....	8
Change to Figure 16 Caption .....	10
Deleted Figure 23; Renumbered Sequentially .....	11
Updated Outline Dimensions .....	14
Changes to Ordering Guide .....	14

Pin Configurations and Function Descriptions .....	7
Typical Performance Characteristics .....	9
Test Circuits .....	12
Terminology .....	14
Outline Dimensions .....	15
Ordering Guide .....	15

### 11/2009—Rev. A to Rev. B

Added 16-Lead LFCSP .....	Universal
Changes to Table 4 .....	6
Changes to Pin Configurations and Function Descriptions Section .....	7
Moved Terminology Section .....	13
Updated Outline Dimensions .....	14
Changes to Ordering Guide .....	15

### 5/2004—Rev. 0 to Rev. A

Updated Format .....	Universal
Updated Package Choices .....	Universal

### 11/2003—Revision 0: Initial Version

## SPECIFICATIONS

$V_{DD} = 2.7\text{ V to }3.6\text{ V}$ ,  $GND = 0\text{ V}$ , unless otherwise noted. The temperature range for the Y version is  $-40^{\circ}\text{C to }+125^{\circ}\text{C}$ .

Table 1.

Parameter	+25°C	-40°C to +85°C	-40°C to +125°C	Unit	Test Conditions/Comments
<b>ANALOG SWITCH</b>					
Analog Signal Range			0 V to $V_{DD}$	V	
On Resistance, $R_{ON}$	0.5			$\Omega$ typ	$V_{DD} = 2.7\text{ V}$ , $V_S = 0\text{ V to }V_{DD}$ , $I_S = 10\text{ mA}$ ; see Figure 20
	0.65	0.75	0.8	$\Omega$ max	
On-Resistance Match Between Channels, $\Delta R_{ON}$	0.04			$\Omega$ typ	$V_{DD} = 2.7\text{ V}$ , $V_S = 0.5\text{ V}$ , $I_S = 10\text{ mA}$
		0.075	0.08	$\Omega$ max	
On-Resistance Flatness, $R_{FLAT(ON)}$	0.1	0.15	0.16	$\Omega$ typ $\Omega$ max	$V_{DD} = 2.7\text{ V}$ , $V_S = 0\text{ V to }V_{DD}$ , $I_S = 10\text{ mA}$
<b>LEAKAGE CURRENTS</b>					
Source Off Leakage, $I_S$ (Off)	$\pm 0.2$			nA typ	$V_{DD} = 3.6\text{ V}$ $V_S = 0.6\text{ V}/3.3\text{ V}$ , $V_D = 3.3\text{ V}/0.6\text{ V}$ ; see Figure 21
	$\pm 1$	$\pm 8$	$\pm 80$	nA max	
Drain Off Leakage, $I_D$ (Off)	$\pm 0.2$			nA typ	$V_S = 0.6\text{ V}/3.3\text{ V}$ , $V_D = 3.3\text{ V}/0.6\text{ V}$ ; see Figure 21
	$\pm 1$	$\pm 8$	$\pm 80$	nA max	
Channel On Leakage, $I_D$ , $I_S$ (On)	$\pm 0.2$			nA typ	$V_S = V_D = 0.6\text{ V or }3.3\text{ V}$ ; see Figure 22
	$\pm 1$	$\pm 15$	$\pm 90$	nA max	
<b>DIGITAL INPUTS</b>					
Input High Voltage, $V_{INH}$			2	V min	
Input Low Voltage, $V_{INL}$			0.8	V max	
Input Current, $I_{INL}$ or $I_{INH}$	0.005			$\mu\text{A}$ typ	$V_{IN} = V_{INL}$ or $V_{INH}$
			$\pm 0.1$	$\mu\text{A}$ max	
Digital Input Capacitance, $C_{IN}$	6			pF typ	
<b>DYNAMIC CHARACTERISTICS<sup>1</sup></b>					
$t_{ON}$	21			ns typ	$R_L = 50\ \Omega$ , $C_L = 35\text{ pF}$
	25	26	28	ns max	$V_S = 1.5\text{ V}/0\text{ V}$ ; see Figure 23
$t_{OFF}$	4			ns typ	$R_L = 50\ \Omega$ , $C_L = 35\text{ pF}$
	5	6	7	ns max	$V_S = 1.5\text{ V}$ ; see Figure 23
Charge Injection	30			pC typ	$V_S = 1.5\text{ V}$ , $R_S = 0\ \Omega$ , $C_L = 1\text{ nF}$ ; see Figure 24
Off Isolation	-67			dB typ	$R_L = 50\ \Omega$ , $C_L = 5\text{ pF}$ , $f = 100\text{ kHz}$ ; see Figure 25
Channel-to-Channel Crosstalk	-90			dB typ	$R_L = 50\ \Omega$ , $C_L = 5\text{ pF}$ , $f = 100\text{ kHz}$ ; see Figure 27
Total Harmonic Distortion Plus Noise (THD + N)	0.02			%	$R_L = 32\ \Omega$ , $f = 20\text{ Hz to }20\text{ kHz}$ , $V_S = 2\text{ V p-p}$
Insertion Loss	-0.05			dB typ	$R_L = 50\ \Omega$ , $C_L = 5\text{ pF}$ , $f = 100\text{ kHz}$
-3 dB Bandwidth	90			MHz typ	$R_L = 50\ \Omega$ , $C_L = 5\text{ pF}$ ; see Figure 26
$C_S$ (Off)	30			pF typ	
$C_D$ (Off)	35			pF typ	
$C_D$ , $C_S$ (On)	60			pF typ	
<b>POWER REQUIREMENTS</b>					
$I_{DD}$	0.003			$\mu\text{A}$ typ	$V_{DD} = 3.6\text{ V}$ Digital inputs = 0 V or 3.6 V
		1.0	4	$\mu\text{A}$ max	

<sup>1</sup> Guaranteed by design, but not subject to production test.

$V_{DD} = 2.5 \text{ V} \pm 0.2 \text{ V}$ ,  $GND = 0 \text{ V}$ , unless otherwise noted. The temperature range for the Y version is  $-40^\circ\text{C}$  to  $+125^\circ\text{C}$ .

Table 2.

Parameter	+25°C	-40°C to +85°C	-40°C to +125°C	Unit	Test Conditions/Comments
<b>ANALOG SWITCH</b>					
Analogue Signal Range			0 V to $V_{DD}$	V	
On Resistance, $R_{ON}$	0.65			$\Omega$ typ	$V_{DD} = 2.3 \text{ V}$ , $V_S = 0 \text{ V}$ to $V_{DD}$ , $I_S = 10 \text{ mA}$ ; see Figure 20
On-Resistance Match Between Channels, $\Delta R_{ON}$	0.72 0.04	0.8	0.88	$\Omega$ max $\Omega$ typ	$V_{DD} = 2.3 \text{ V}$ , $V_S = 0.55 \text{ V}$ , $I_S = 10 \text{ mA}$
On-Resistance Flatness, $R_{FLAT(ON)}$	0.16	0.08 0.23	0.085 0.24	$\Omega$ max $\Omega$ typ $\Omega$ max	$V_{DD} = 2.3 \text{ V}$ , $V_S = 0 \text{ V}$ to $V_{DD}$ , $I_S = 10 \text{ mA}$
<b>LEAKAGE CURRENTS</b>					
Source Off Leakage, $I_S$ (Off)	$\pm 0.2$			nA typ	$V_{DD} = 2.7 \text{ V}$ $V_S = 0.6 \text{ V}/2.4 \text{ V}$ , $V_D = 2.4 \text{ V}/0.6 \text{ V}$ ; see Figure 21
Drain Off Leakage, $I_D$ (Off)	$\pm 1$ $\pm 0.2$	$\pm 6$	$\pm 35$	nA max nA typ	$V_S = 0.6 \text{ V}/2.4 \text{ V}$ , $V_D = 2.4 \text{ V}/0.6 \text{ V}$ ; see Figure 21
Channel On Leakage, $I_D$ , $I_S$ (On)	$\pm 1$ $\pm 0.2$ $\pm 1$	$\pm 6$ $\pm 11$	$\pm 35$ $\pm 70$	nA max nA typ nA max	$V_S = V_D = 0.6 \text{ V}$ or $2.4 \text{ V}$ ; see Figure 22
<b>DIGITAL INPUTS</b>					
Input High Voltage, $V_{INH}$			1.7	V min	
Input Low Voltage, $V_{INL}$			0.7	V max	
Input Current, $I_{INL}$ or $I_{INH}$	0.005		$\pm 0.1$	$\mu\text{A}$ typ $\mu\text{A}$ max	$V_{IN} = V_{INL}$ or $V_{INH}$
Digital Input Capacitance, $C_{IN}$	6			pF typ	
<b>DYNAMIC CHARACTERISTICS<sup>1</sup></b>					
$t_{ON}$	22 27	29	30	ns typ ns max	$R_L = 50 \Omega$ , $C_L = 35 \text{ pF}$ $V_S = 1.5 \text{ V}/0 \text{ V}$ ; see Figure 23
$t_{OFF}$	4 6	7	8	ns typ ns max	$R_L = 50 \Omega$ , $C_L = 35 \text{ pF}$ $V_S = 1.5 \text{ V}$ ; see Figure 23
Charge Injection	25			pC typ	$V_S = 1.25 \text{ V}$ , $R_S = 0 \Omega$ , $C_L = 1 \text{ nF}$ ; see Figure 24
Off Isolation	-67			dB typ	$R_L = 50 \Omega$ , $C_L = 5 \text{ pF}$ , $f = 100 \text{ kHz}$ ; see Figure 25
Channel-to-Channel Crosstalk	-90			dB typ	$R_L = 50 \Omega$ , $C_L = 5 \text{ pF}$ , $f = 100 \text{ kHz}$ ; see Figure 27
Total Harmonic Distortion Plus Noise (THD + N)	0.022			%	$R_L = 32 \Omega$ , $f = 20 \text{ Hz}$ to $20 \text{ kHz}$ , $V_S = 1.5 \text{ V}$ p-p
Insertion Loss	-0.06			dB typ	$R_L = 50 \Omega$ , $C_L = 5 \text{ pF}$ , $f = 100 \text{ kHz}$
-3 dB Bandwidth	90			MHz typ	$R_L = 50 \Omega$ , $C_L = 5 \text{ pF}$ ; see Figure 26
$C_S$ (Off)	32			pF typ	
$C_D$ (Off)	37			pF typ	
$C_D$ , $C_S$ (On)	60			pF typ	
<b>POWER REQUIREMENTS</b>					
$I_{DD}$	0.003	1.0	4	$\mu\text{A}$ typ $\mu\text{A}$ max	$V_{DD} = 2.7 \text{ V}$ Digital inputs = 0 V or 2.7 V

<sup>1</sup> Guaranteed by design, but not subject to production test.

$V_{DD} = 1.65\text{ V}$  to  $1.95\text{ V}$ ,  $GND = 0\text{ V}$ , unless otherwise noted. The temperature range for the Y version is  $-40^{\circ}\text{C}$  to  $+125^{\circ}\text{C}$ .

Table 3.

Parameter	+25°C	-40°C to +85°C	-40°C to +125°C	Unit	Test Conditions/Comments
<b>ANALOG SWITCH</b>					
Analog Signal Range			0 V to $V_{DD}$	V	
On Resistance, $R_{ON}$	1			$\Omega$ typ	$V_{DD} = 1.8\text{ V}$ , $V_S = 0\text{ V}$ to $V_{DD}$ , $I_S = 10\text{ mA}$ ; see Figure 20
	1.4	2.2	2.2	$\Omega$ max	
	2.5	4	4	$\Omega$ max	$V_{DD} = 1.65\text{ V}$ , $V_S = 0\text{ V}$ to $V_{DD}$ , $I_S = 10\text{ mA}$
On-Resistance Match Between Channels, $\Delta R_{ON}$	0.1			$\Omega$ typ	$V_{DD} = 1.65\text{ V}$ , $V_S = 0.7\text{ V}$ , $I_S = 10\text{ mA}$
<b>LEAKAGE CURRENTS</b>					
Source Off Leakage $I_S$ (Off)	$\pm 0.2$			nA typ	$V_{DD} = 1.95\text{ V}$ $V_S = 0.6\text{ V}/1.65\text{ V}$ , $V_D = 1.65\text{ V}/0.6\text{ V}$ ; see Figure 21
Drain Off Leakage $I_D$ (Off)	$\pm 1$ $\pm 0.2$	$\pm 5$	$\pm 30$	nA max nA typ	$V_S = 0.6\text{ V}/1.65\text{ V}$ , $V_D = 1.65\text{ V}/0.6\text{ V}$ ; see Figure 21
Channel On Leakage $I_D$ , $I_S$ (On)	$\pm 1$ $\pm 0.2$ $\pm 1$	$\pm 5$	$\pm 30$ $\pm 60$	nA max nA typ nA max	$V_S = V_D = 0.6\text{ V}$ or $1.65\text{ V}$ ; see Figure 22
<b>DIGITAL INPUTS</b>					
Input High Voltage, $V_{INH}$			$0.65V_{DD}$	V min	
Input Low Voltage, $V_{INL}$			$0.35V_{DD}$	V max	
Input Current, $I_{INL}$ or $I_{INH}$	0.005		$\pm 0.1$	$\mu\text{A}$ typ $\mu\text{A}$ max	$V_{IN} = V_{INL}$ or $V_{INH}$
Digital Input Capacitance, $C_{IN}$	6			pF typ	
<b>DYNAMIC CHARACTERISTICS<sup>1</sup></b>					
$t_{ON}$	27 35	36	37	ns typ ns max	$R_L = 50\ \Omega$ , $C_L = 35\text{ pF}$ $V_S = 1.5\text{ V}/0\text{ V}$ ; see Figure 23
$t_{OFF}$	6 8	9	10	ns typ ns max	$R_L = 50\ \Omega$ , $C_L = 35\text{ pF}$ $V_S = 1.5\text{ V}$ ; see Figure 23
Charge Injection	15			pC typ	$V_S = 1\text{ V}$ , $R_S = 0\ \Omega$ , $C_L = 1\text{ nF}$ ; see Figure 24
Off Isolation	-67			dB typ	$R_L = 50\ \Omega$ , $C_L = 5\text{ pF}$ , $f = 100\text{ kHz}$ ; Figure 25
Channel-to-Channel Crosstalk	-90			dB typ	$R_L = 50\ \Omega$ , $C_L = 5\text{ pF}$ , $f = 100\text{ kHz}$ ; see Figure 27
Total Harmonic Distortion Plus Noise (THD + N)	0.14			%	$R_L = 32\ \Omega$ , $f = 20\text{ Hz}$ to $20\text{ kHz}$ , $V_S = 1.2\text{ V}$ p-p
Insertion Loss	-0.08			dB typ	$R_L = 50\ \Omega$ , $C_L = 5\text{ pF}$ , $f = 100\text{ kHz}$
-3 dB Bandwidth	90			MHz typ	$R_L = 50\ \Omega$ , $C_L = 5\text{ pF}$ ; see Figure 26
$C_S$ (Off)	32			pF typ	
$C_D$ (Off)	38			pF typ	
$C_D$ , $C_S$ (On)	60			pF typ	
<b>POWER REQUIREMENTS</b>					
$I_{DD}$	0.003	1.0	4	$\mu\text{A}$ typ $\mu\text{A}$ max	$V_{DD} = 1.95\text{ V}$ Digital inputs = 0 V or 1.95 V

<sup>1</sup> Guaranteed by design, but not subject to production test.

## ABSOLUTE MAXIMUM RATINGS

$T_A = 25^\circ\text{C}$ , unless otherwise noted.

Table 4.

Parameter	Rating
$V_{DD}$ to GND	-0.3 V to +4.6 V
Analog Inputs <sup>1</sup>	-0.3 V to $V_{DD} + 0.3$ V
Digital Inputs <sup>1</sup>	GND - 0.3 V to 4.6 V or 10 mA, whichever occurs first
Peak Current, S or D	(Pulsed at 1 ms, 10% duty-cycle maximum)
3.3 V Operation	500 mA
2.5 V Operation	460 mA
1.8 V Operation	420 mA
Continuous Current, S or D	
3.3 V Operation	300 mA
2.5 V Operation	275 mA
1.8 V Operation	250 mA
Operating Temperature Range, Automotive (Y Version)	-40°C to +125°C
Storage Temperature Range	-65°C to +150°C
Junction Temperature	150°C
Thermal Impedance	
TSSOP	
$\theta_{JA}$	150°C/W
$\theta_{JC}$	27°C/W
LFCSP	
$\theta_{JA}$	70°C/W
IR Reflow, Peak Temperature <20 sec	235°C

<sup>1</sup> Overvoltages at IN, S, or D are clamped by internal diodes. Current should be limited to the maximum ratings given.

Stresses at or above those listed under Absolute Maximum Ratings may cause permanent damage to the product. This is a stress rating only; functional operation of the product at these or any other conditions above those indicated in the operational section of this specification is not implied. Operation beyond the maximum operating conditions for extended periods may affect product reliability.

Only one absolute maximum rating may be applied at any one time.

Table 5. ADG811/ADG812 Truth Table

ADG811 IN	ADG812 IN	Switch Condition
0	1	On
1	0	Off

### ESD CAUTION



**ESD (electrostatic discharge) sensitive device.** Charged devices and circuit boards can discharge without detection. Although this product features patented or proprietary protection circuitry, damage may occur on devices subjected to high energy ESD. Therefore, proper ESD precautions should be taken to avoid performance degradation or loss of functionality.

## PIN CONFIGURATIONS AND FUNCTION DESCRIPTIONS

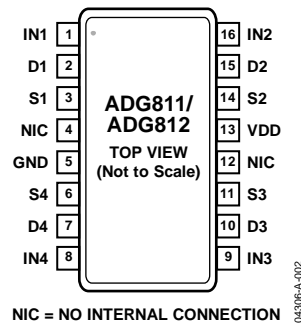
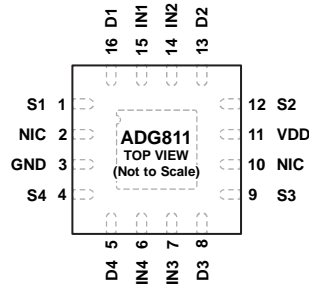


Figure 3. ADG811/ADG812 Pin Configuration (16-Lead TSSOP)

Table 6. ADG811/ADG812 Pin Function Descriptions (16-Lead TSSOP)

Pin No.		Mnemonic	Description
TSSOP	LFCSP		
1	15	IN1	Logic control input.
2	16	D1	Drain Terminal. This pin may be an input or output.
3	1	S1	Source Terminal. This pin may be an input or output.
4, 12	2, 10	NIC	No Internal Connection.
5	3	GND	Ground (0 V) reference.
6	4	S4	Source Terminal. This pin may be an input or output.
7	5	D4	Drain Terminal. This pin may be an input or output.
8	6	IN4	Logic Control Input.
9	7	IN3	Logic Control Input.
10	8	D3	Drain Terminal. This pin may be an input or output.
11	9	S3	Source Terminal. This pin may be an input or output.
13	11	VDD	Most Positive Power Supply Potential.
14	12	S2	Source Terminal. This pin may be an input or output.
15	13	D2	Drain Terminal. This pin may be an input or output.
16	14	IN2	Logic Control Input.
Not applicable	17	EPAD	Exposed Pad. Connect exposed pad to GND.



NOTES  
 1. NIC = NO INTERNAL CONNECTION.  
 2. CONNECT EXPOSED PAD TO GND.

04306-027

Figure 4. ADG811 Pin Configuration (16-Lead LFCSP)

Table 7. ADG811 Pin Function Descriptions (16-Lead LFCSP)

Pin No.	Mnemonic	Description
1	S1	Source Terminal. This pin may be an input or output.
2, 10	NIC	No Internal Connection.
3	GND	Ground (0 V) reference.
4	S4	Source Terminal. This pin may be an input or output.
5	D4	Drain Terminal. This pin may be an input or output.
6	IN4	Logic Control Input.
7	IN3	Logic Control Input.
8	D3	Drain Terminal. This pin may be an input or output.
9	S3	Source Terminal. This pin may be an input or output.
11	VDD	Most Positive Power Supply Potential.
12	S2	Source Terminal. This pin may be an input or output.
13	D2	Drain Terminal. This pin may be an input or output.
14	IN2	Logic Control Input.
15	IN1	Logic control input.
16	D1	Drain Terminal. This pin may be an input or output.
17	EPAD	Exposed Pad. Connect exposed pad to GND.



TYPICAL PERFORMANCE CHARACTERISTICS

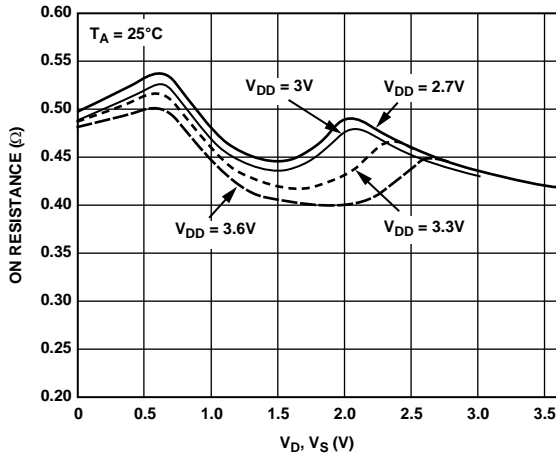


Figure 5. On Resistance vs.  $V_D (V_S)$ ,  $V_{DD} = 2.7V$  to  $3.6V$

04306-A-003

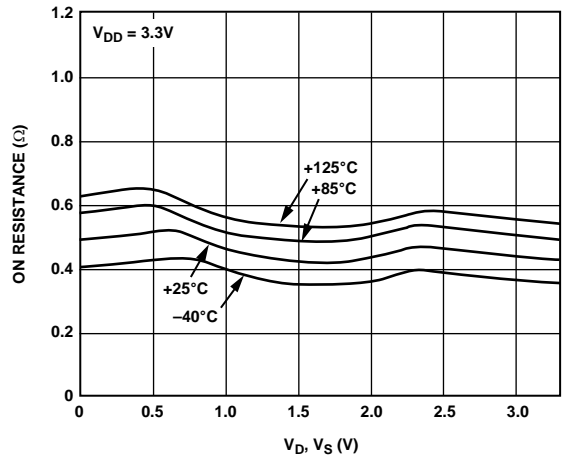


Figure 8. On Resistance vs.  $V_D (V_S)$  for Different Temperatures,  $V_{DD} = 3.3V$

04306-A-006

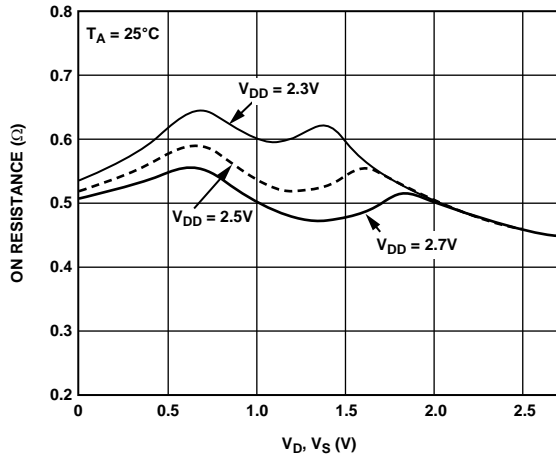


Figure 6. On Resistance vs.  $V_D (V_S)$ ,  $V_{DD} = 2.5V \pm 0.2V$

04306-A-004

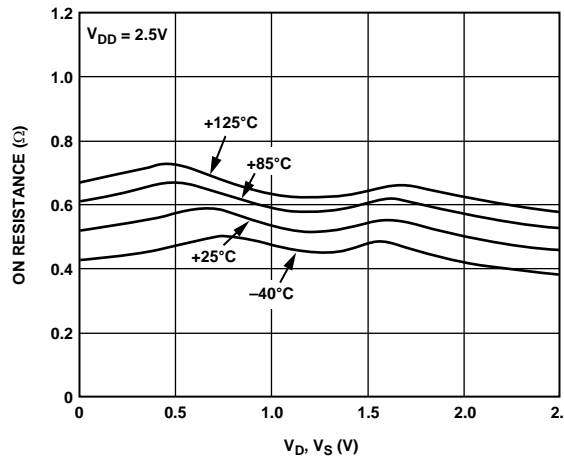


Figure 9. On Resistance vs.  $V_D (V_S)$  for Different Temperatures,  $V_{DD} = 2.5V$

04306-A-007

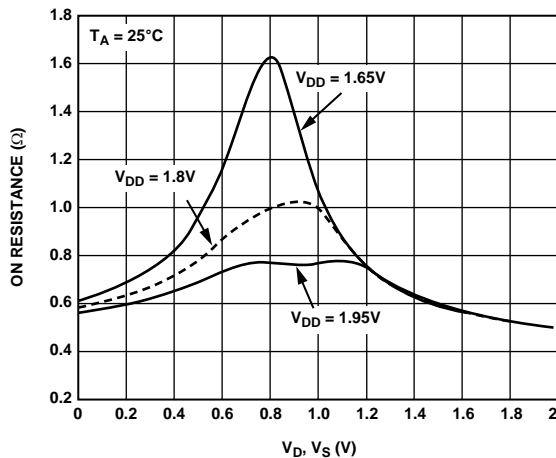


Figure 7. On Resistance vs.  $V_D (V_S)$ ,  $V_{DD} = 1.8V \pm 0.15V$

04306-A-005

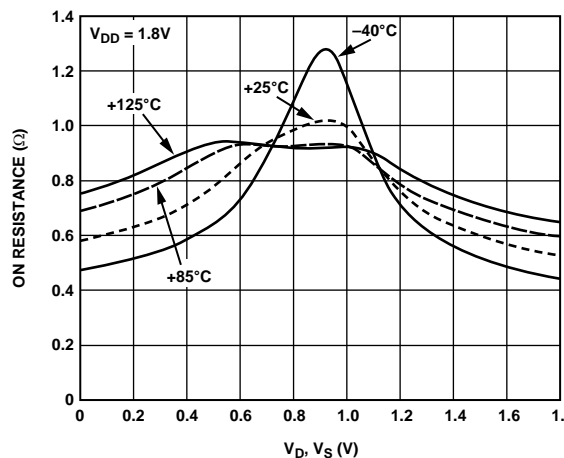


Figure 10. On Resistance vs.  $V_D (V_S)$  for Different Temperatures,  $V_{DD} = 1.8V$

04306-A-008

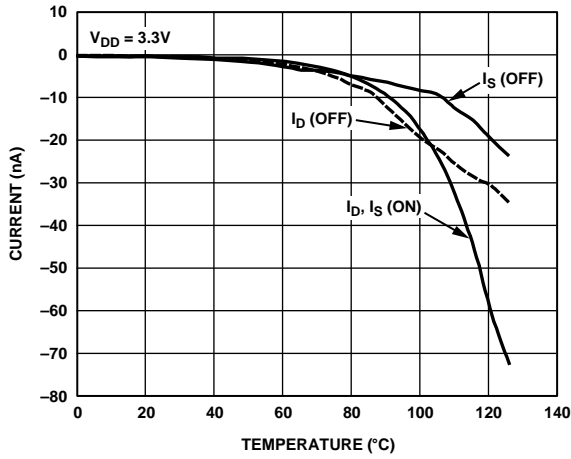


Figure 11. Leakage Current vs. Temperature,  $V_{DD} = 3.3V$

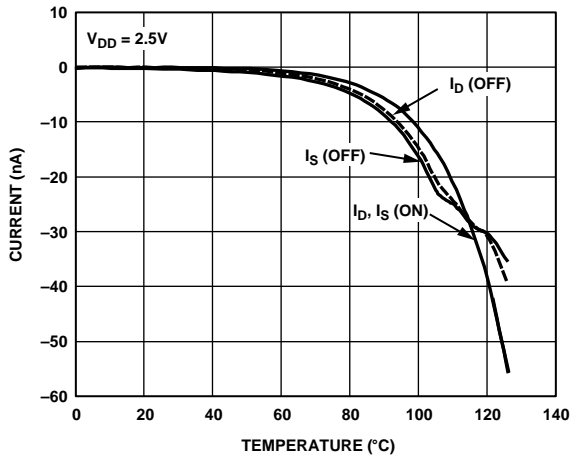


Figure 12. Leakage Current vs. Temperature,  $V_{DD} = 2.5V$

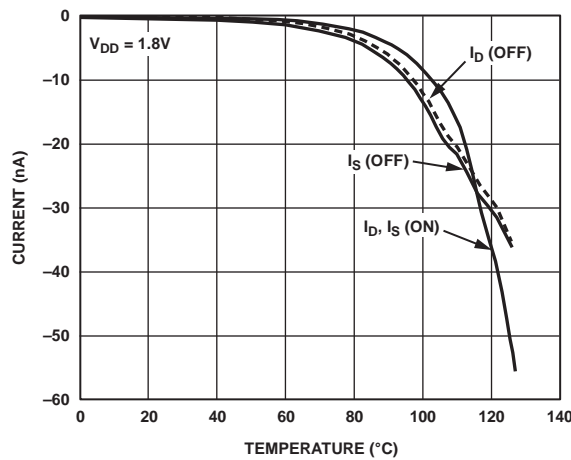


Figure 13. Leakage Current vs. Temperature,  $V_{DD} = 1.8V$

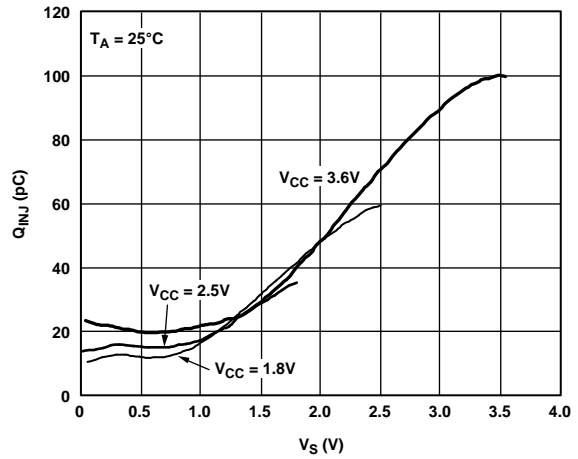


Figure 14. Charge Injection ( $Q_{INJ}$ ) vs. Source Voltage ( $V_S$ )

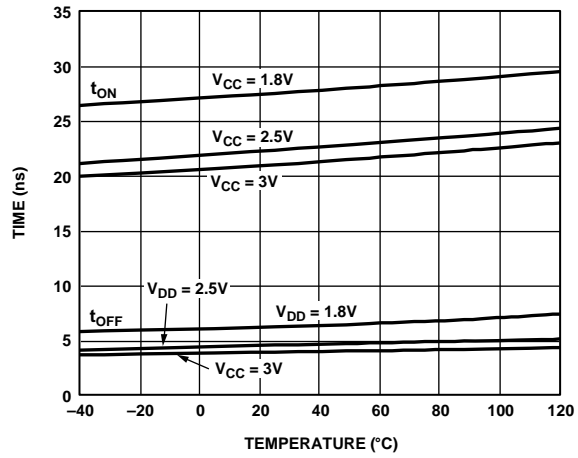


Figure 15.  $t_{ON}/t_{OFF}$  Times vs. Temperature

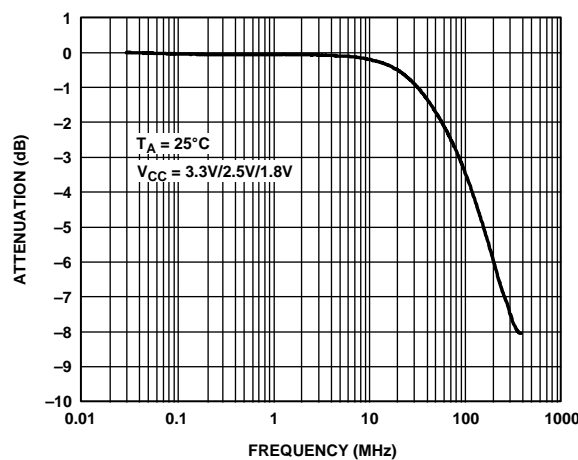


Figure 16. Bandwidth vs. Frequency

04306-A-009

04306-A-012

04306-A-010

04306-A-013

04306-A-011

04306-A-014

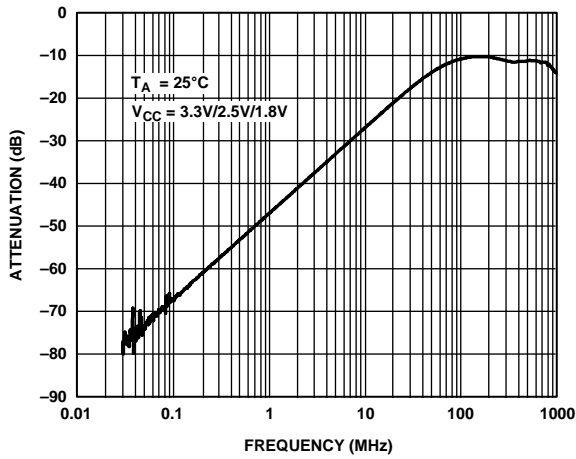


Figure 17. Crosstalk vs. Frequency

04306-A-015

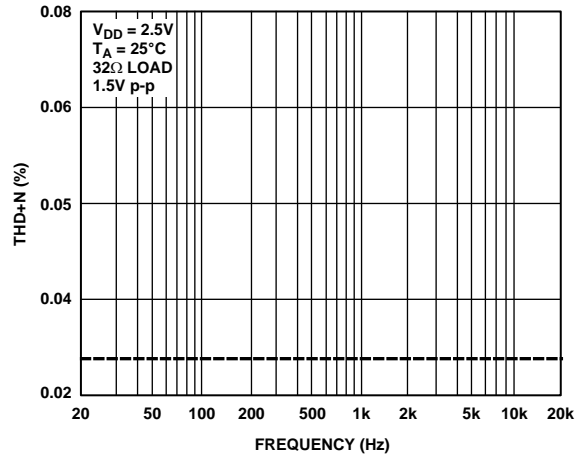


Figure 19. Total Harmonic Distortion Plus Noise (THD + N) vs. Frequency

04306-A-017

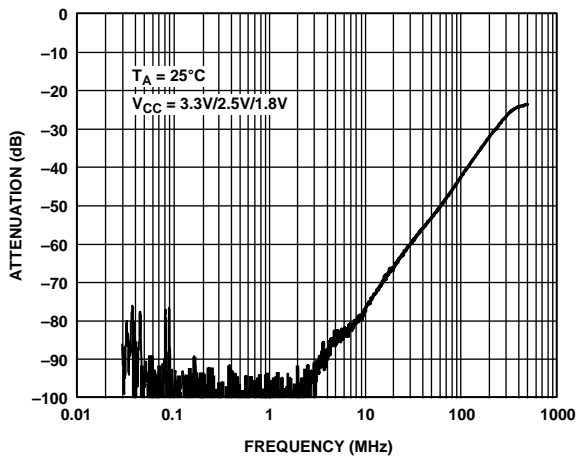


Figure 18. Off Isolation vs. Frequency

04306-A-016

TEST CIRCUITS

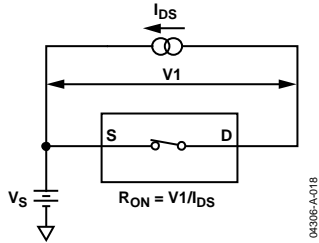


Figure 20. On Resistance

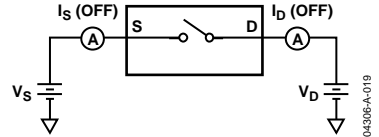


Figure 21. Off Leakage

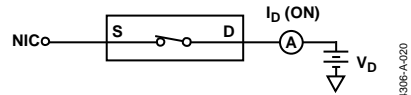


Figure 22. On Leakage

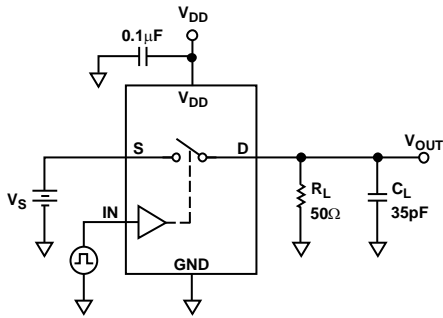


Figure 23. Switching Times

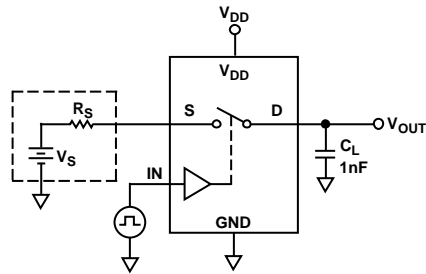
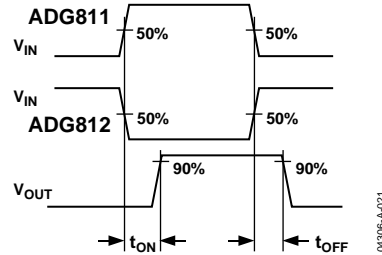
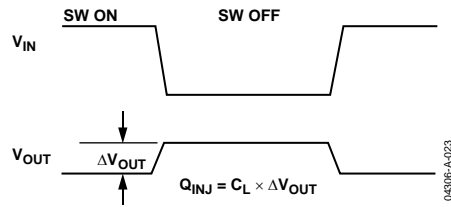


Figure 24. Charge Injection



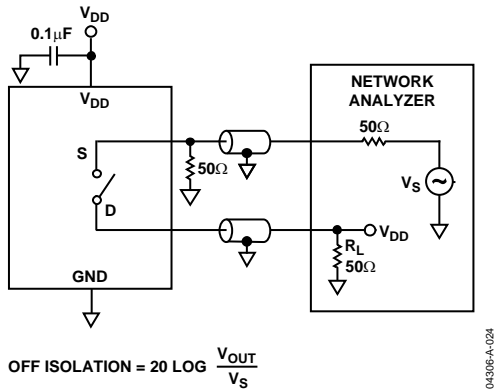


Figure 25. Off Isolation

04306-A-024

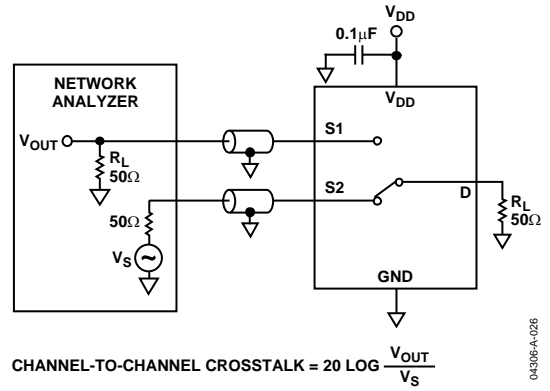


Figure 27. Channel-to-Channel Crosstalk

04306-A-026

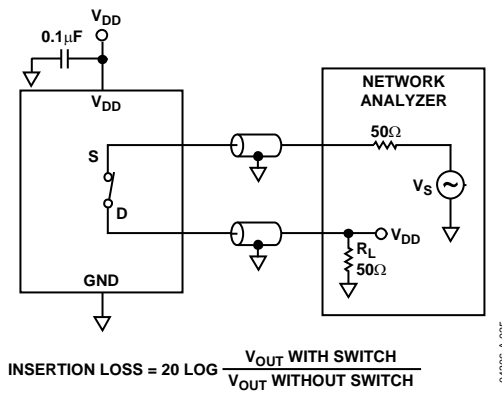


Figure 26. Bandwidth

04306-A-025

## TERMINOLOGY

### $I_{DD}$

Positive supply current.

### $V_D, V_S$

Analog voltage on Terminal D and Terminal S.

### $R_{ON}$

Ohmic resistance between Terminal D and Terminal S.

### $R_{FLAT (ON)}$

Flatness is defined as the difference between the maximum and minimum value of on resistance as measured over the specified analog signal range.

### $\Delta R_{ON}$

On-resistance match between any two channels, that is,  $R_{ON \text{ maximum}} - R_{ON \text{ minimum}}$ .

### $I_S \text{ (Off)}$

Source leakage current with the switch off.

### $I_D \text{ (Off)}$

Drain leakage current with the switch off.

### $I_D, I_S \text{ (On)}$

Channel leakage current with the switch on.

### $V_{INL}$

Maximum input voltage for Logic 0.

### $V_{INH}$

Minimum input voltage for Logic 1.

### $I_{INL} \text{ (} I_{INH} \text{)}$

Input current of the digital input.

### $C_s \text{ (Off)}$

Off switch source capacitance. Measured with reference to ground.

### $C_D \text{ (Off)}$

Off switch drain capacitance. Measured with reference to ground.

### $C_D, C_s \text{ (On)}$

On switch capacitance. Measured with reference to ground.

### $C_{IN}$

Digital input capacitance.

### $t_{ON}$

Delay time between the 50% and the 90% points of the digital input and switch on condition.

### $t_{OFF}$

Delay time between the 50% and the 90% points of the digital input and switch off condition.

### $t_{BEM}$

On or off time measured between the 80% points of both switches, when switching from one to another.

### Charge Injection

A measure of the glitch impulse transferred from the digital input to the analog output during on-to-off switching.

### Off Isolation

A measure of unwanted signal coupling through an off switch.

### Crosstalk

A measure of unwanted signal that is coupled through from one channel to another because of parasitic capacitance.

### -3 dB Bandwidth

The frequency at which the output is attenuated by 3 dB.

### On Response

The frequency response of the on switch.

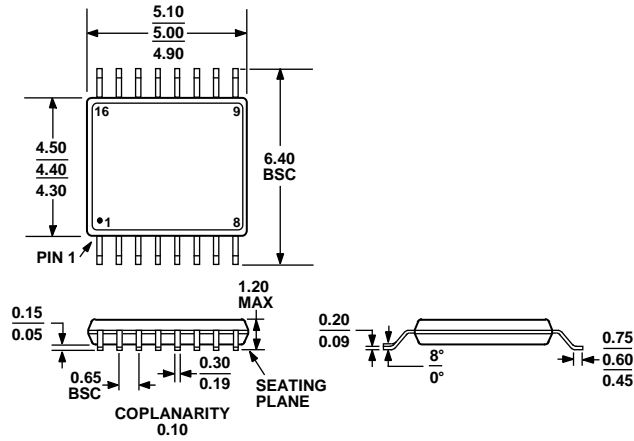
### Insertion Loss

The loss due to the on resistance of the switch.

### Total Harmonic Distortion Plus Noise (THD + N)

The ratio of the harmonic amplitudes plus the noise of a signal to the fundamental.

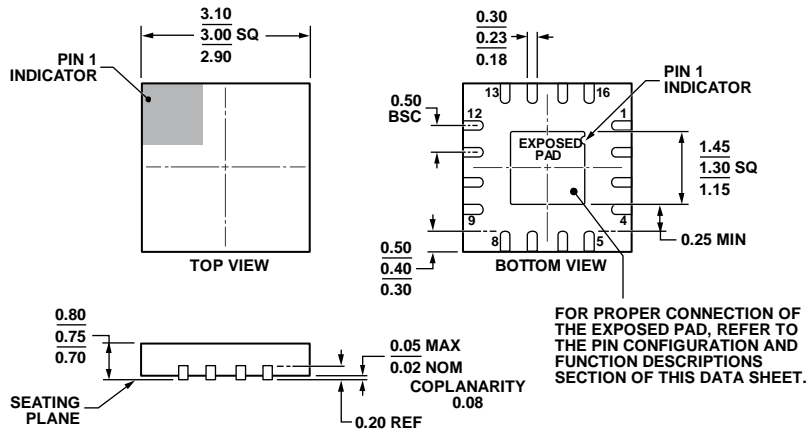
### OUTLINE DIMENSIONS



COMPLIANT TO JEDEC STANDARDS MO-153-AB

Figure 28. 16-Lead Thin Shrink Small Outline Package [TSSOP] (RU-16)

Dimensions shown in millimeters



COMPLIANT TO JEDEC STANDARDS MO-220-WEED.

Figure 29. 16-Lead Lead Frame Chip Scale Package [LFCSP] 3 mm x 3 mm Body and 0.75 mm Package Height (CP-16-21)

Dimensions shown in millimeters

### ORDERING GUIDE

Model <sup>1</sup>	Temperature Range	Package Description	Package Option
ADG811YRUZ	-40°C to +125°C	16-Lead Thin Shrink Small Outline [TSSOP]	RU-16
ADG811YCPZ-REEL7	-40°C to +125°C	16-Lead Lead Frame Chip Scale Package [LFCSP]	CP-16-21
ADG812YRUZ	-40°C to +125°C	16-Lead Thin Shrink Small Outline [TSSOP]	RU-16
ADG812YRUZ-REEL7	-40°C to +125°C	16-Lead Thin Shrink Small Outline [TSSOP]	RU-16

<sup>1</sup> Z = RoHS Compliant Part.

# Mouser Electronics

Authorized Distributor

Click to View Pricing, Inventory, Delivery & Lifecycle Information:

[Analog Devices Inc.:](#)

[ADG811YRUZ](#) [ADG811YCPZ-REEL7](#)