

LOC	DIST	REVISIONS			
P	LTR	DESCRIPTION	DATE	DWN	APVD
AD	00	B3	REVISED PER ECO-11-004820	11MAR11	RK HMR

SPECIFICATIONS:
BREAK BEFORE MAKE

MATERIALS:

FRAME: STEEL,ZINC PLATE
ACTUATOR: PBT, UL94V0, FINISH: SEE TABLE

TERMINAL/FIXED CONTACT: COPPER ALLOY, AG OVER NI
OR AU OVER NI PLATE.

MOVING CONTACT: COPPER ALLOY, AG OVER NI
OR AU OVER NI PLATE

TERMINAL BOARD: PHENOLIC, UL94HB
SPRING: CARBON STEEL WIRE

ELECTRICAL:

CONTACT RATING, 250MILLIAMP @ 125V AC,
150MILLIAMP @ 12V DC
CONTACT RESISTANCE, 30 MILLIOHMS MAX (INITIAL),
60 MILLIOHMS AFTER TEST
INSULATION RESISTANCE: 500 MEGOHMS MIN.
DIELECTRIC STRENGTH: 500 VOLTS RMS @SEA LEVEL
LIFE EXPECTANCY: 10,000 CYCLES MIN. NO LOAD,
6,000 AT RATED CURRENT.

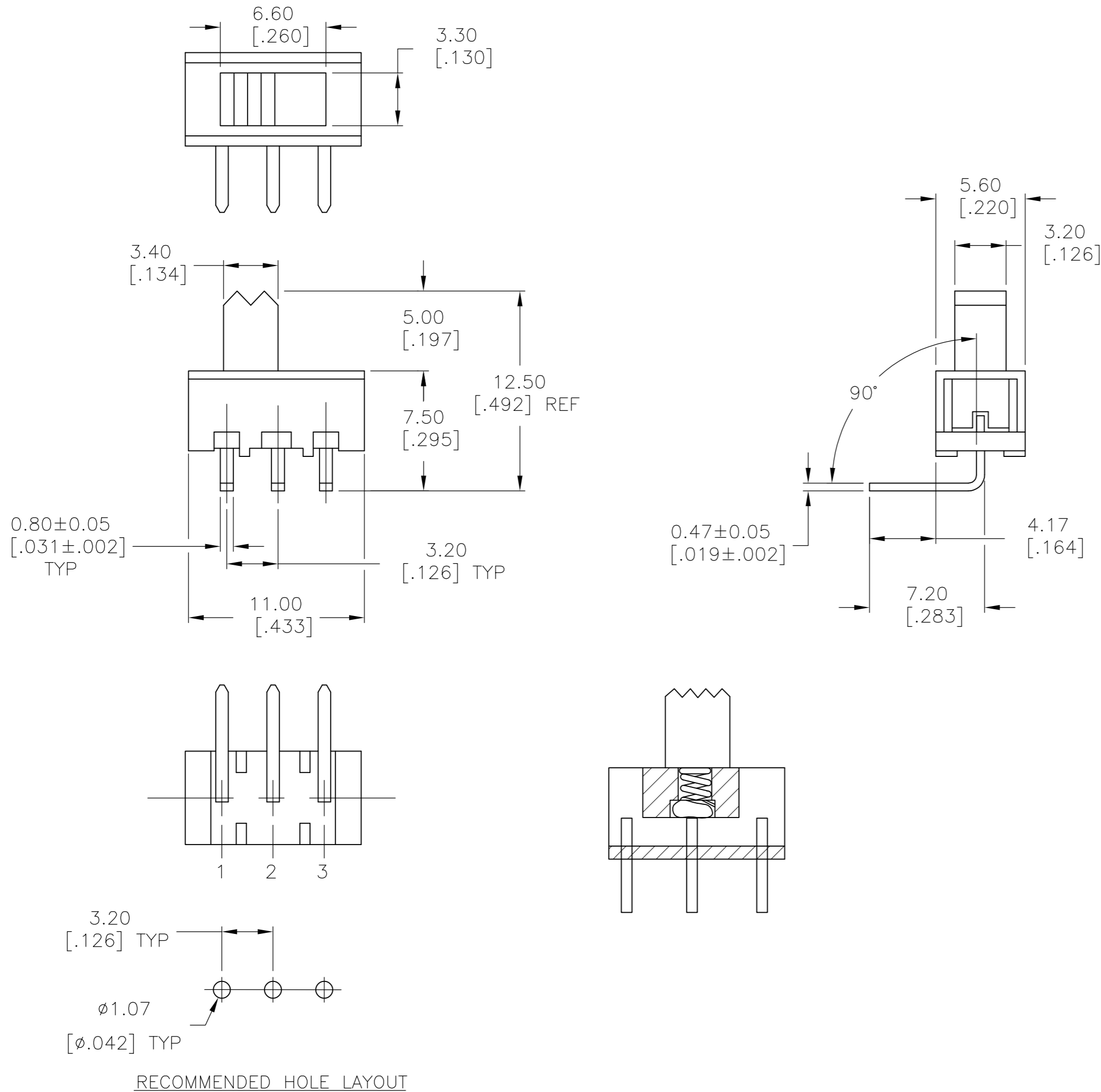
MECHANICAL:

ACTUATION FORCE, 250 +150/-100 GRAMS
TRAVEL, 3.20(.126)

ENVIRONMENTAL:

OPERATING TEMPERATURE: -10°C TO +85°C
STORAGE TEMPERATURE: -10°C TO +85°C
RESISTANCE TO SOLDER HEAT, 260°C FOR 10 SEC
PER 109-202, CONDITION B
SOLDERABILITY PER EIA-364-56A, PROCEDURE 3,
CONDITION B

- 1 ALL MATERIALS AND FINISHES SHALL COMPLY WITH EU DIRECTIVE 2002/95/EC OF 27 JAN2003 (ROHS)
- 2 ALL PERFORMANCE SPECIFICATIONS WERE TESTED IN ACCORDANCE WITH JIS-C-5441 UNLESS OTHERWISE STATED.



NATURAL	GOLD	1-2	2-3	SLS121NRAG04	1825116-3
NATURAL	SILVER	1-2	2-3	SLS121NRA04	1825116-2
BLACK	SILVER	1-2	2-3	SLS121RA04	1825116-1
		LEFT	RIGHT		
ACTUATOR FINISH	FINISH	ACTUATOR POSITION		ALCO P/N	PART NO

THIS DRAWING IS A CONTROLLED DOCUMENT.		DWN B S VISWESWARA	01MAR05		
DIMENSIONS: mm [INCHES]		CHK M S SARVER	TE Connectivity		
TOLERANCES UNLESS OTHERWISE SPECIFIED:		APVD -	SLIDE SWITCH, SPDT, RIGHT ANGLE (SLS121RA)		
0 PLC ± -		PRODUCT SPEC -	SIZE CAGE CODE DRAWING NO RESTRICTED TO		
1 PLC ± -		APPLICATION SPEC -	A2 00779 C=1825116 -		
2 PLC ± 0.25[.010]		WEIGHT -	SCALE 1:1 SHEET 1 OF 1 REV B3		
3 PLC ± -		CUSTOMER DRAWING			
4 PLC ± -					
ANGLES ± -					
MATERIAL SEE TABLE		FINISH -			

Mouser Electronics

Authorized Distributor

Click to View Pricing, Inventory, Delivery & Lifecycle Information:

[TE Connectivity:](#)

[SLS121NRA04](#)