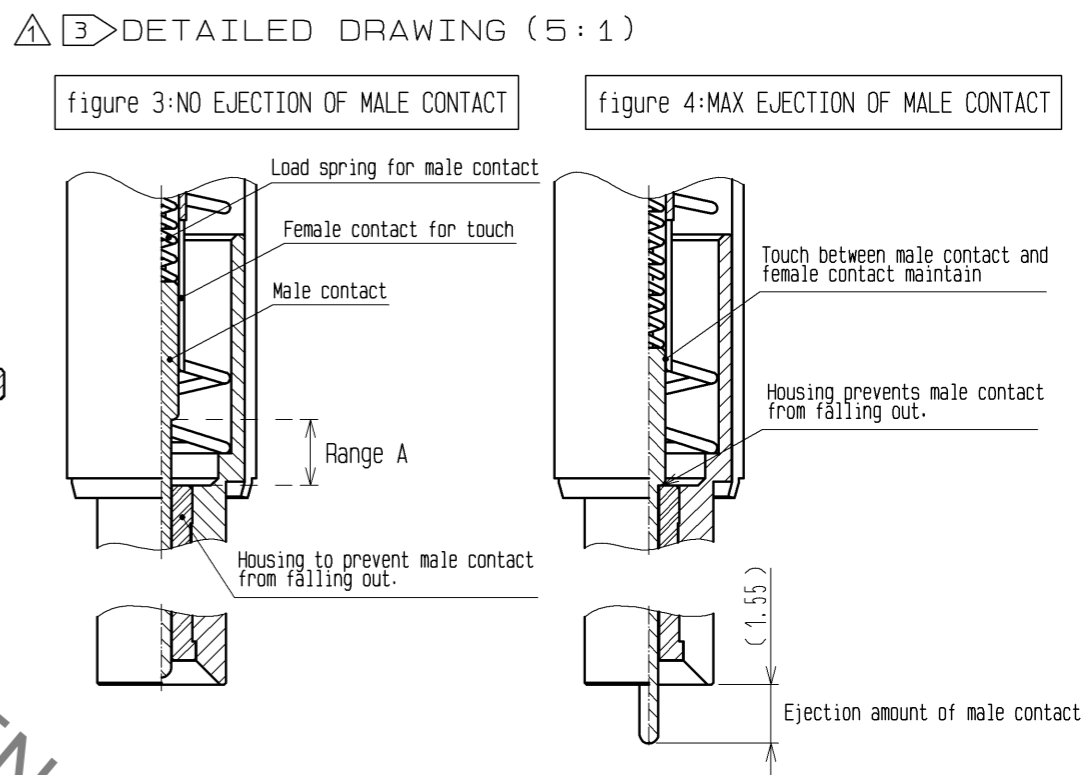
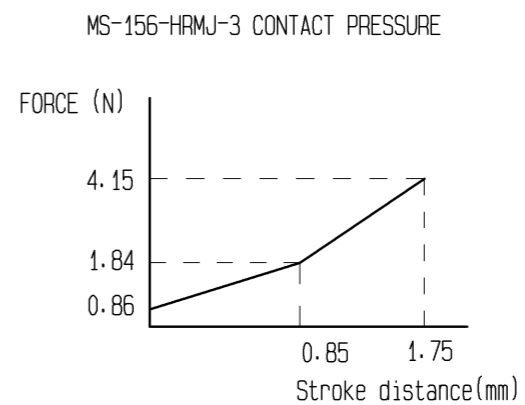
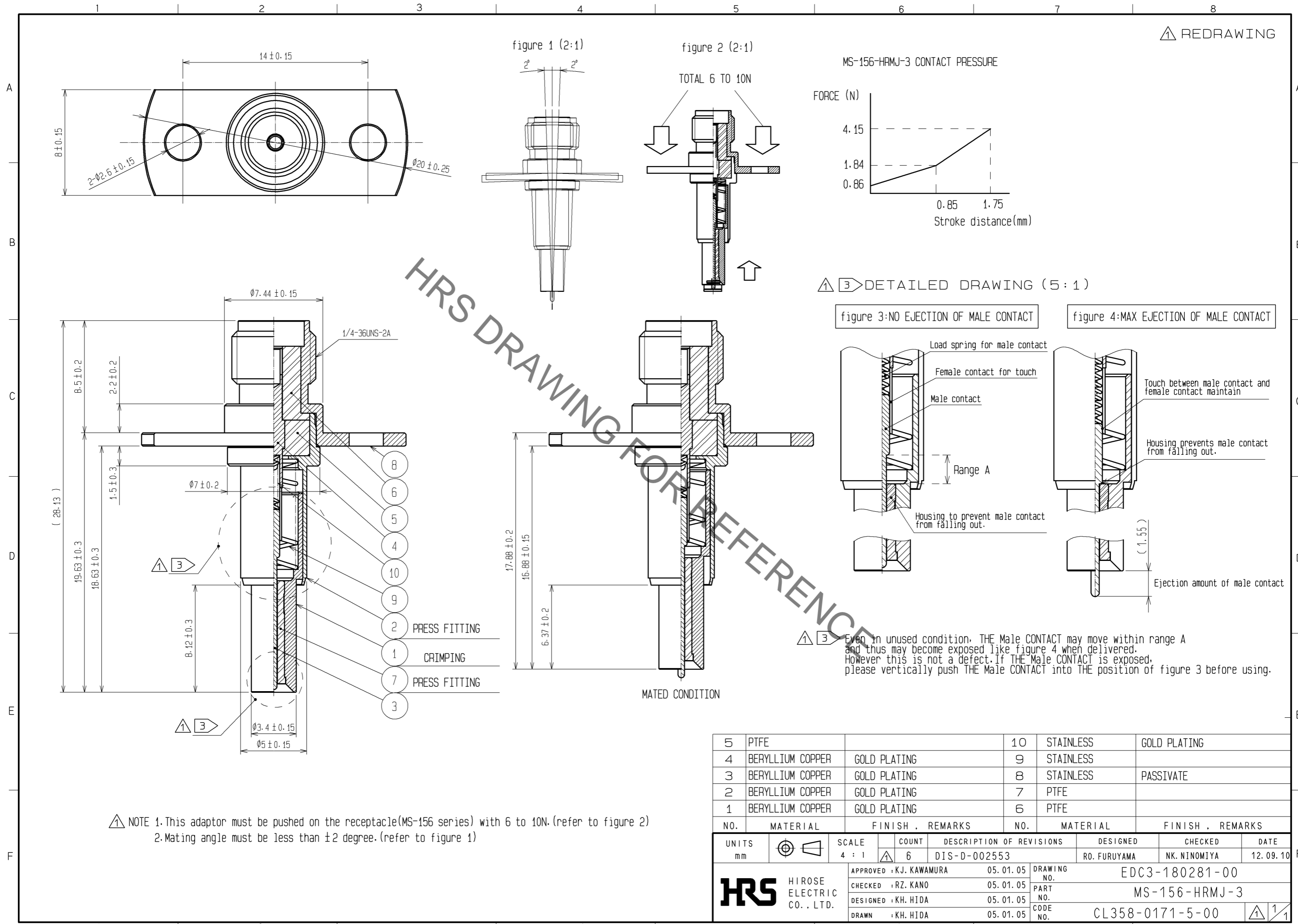


Mar.1.2020 Copyright 2020 HIROSE ELECTRIC CO., LTD. All Rights Reserved.  
In case of consideration for using Automotive equipment / device which demand high reliability, kindly contact our sales window correspondents.

△ REDRAWING



△ ③ Even in unused condition, THE Male CONTACT may move within range A and thus may become exposed like figure 4 when delivered. However this is not a defect. If THE Male CONTACT is exposed, please vertically push THE Male CONTACT into THE position of figure 3 before using.

△ NOTE 1. This adaptor must be pushed on the receptacle (MS-156 series) with 6 to 10N. (refer to figure 2)  
2. Mating angle must be less than ±2 degree. (refer to figure 1)

NO.	MATERIAL	FINISH . REMARKS	NO.	MATERIAL	FINISH . REMARKS
5	PTFE		10	STAINLESS	GOLD PLATING
4	BERYLLIUM COPPER	GOLD PLATING	9	STAINLESS	
3	BERYLLIUM COPPER	GOLD PLATING	8	STAINLESS	PASSIVATE
2	BERYLLIUM COPPER	GOLD PLATING	7	PTFE	
1	BERYLLIUM COPPER	GOLD PLATING	6	PTFE	

UNITS	SCALE	COUNT	DESCRIPTION OF REVISIONS	DESIGNED	CHECKED	DATE
mm	4 : 1	△ 6	DIS-D-002553	RO. FURUYAMA	NK. NINOMIYA	12. 09. 10

APPROVED	DATE	DRAWING NO.
: KJ. KAWAMURA	05. 01. 05	EDC3-180281-00
CHECKED	DATE	PART NO.
: RZ. KANO	05. 01. 05	MS-156-HRMJ-3
DESIGNED	DATE	CODE NO.
: KH. HIDA	05. 01. 05	CL358-0171-5-00
DRAWN	DATE	
: KH. HIDA	05. 01. 05	