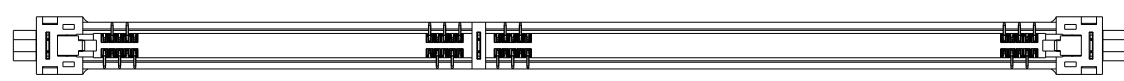
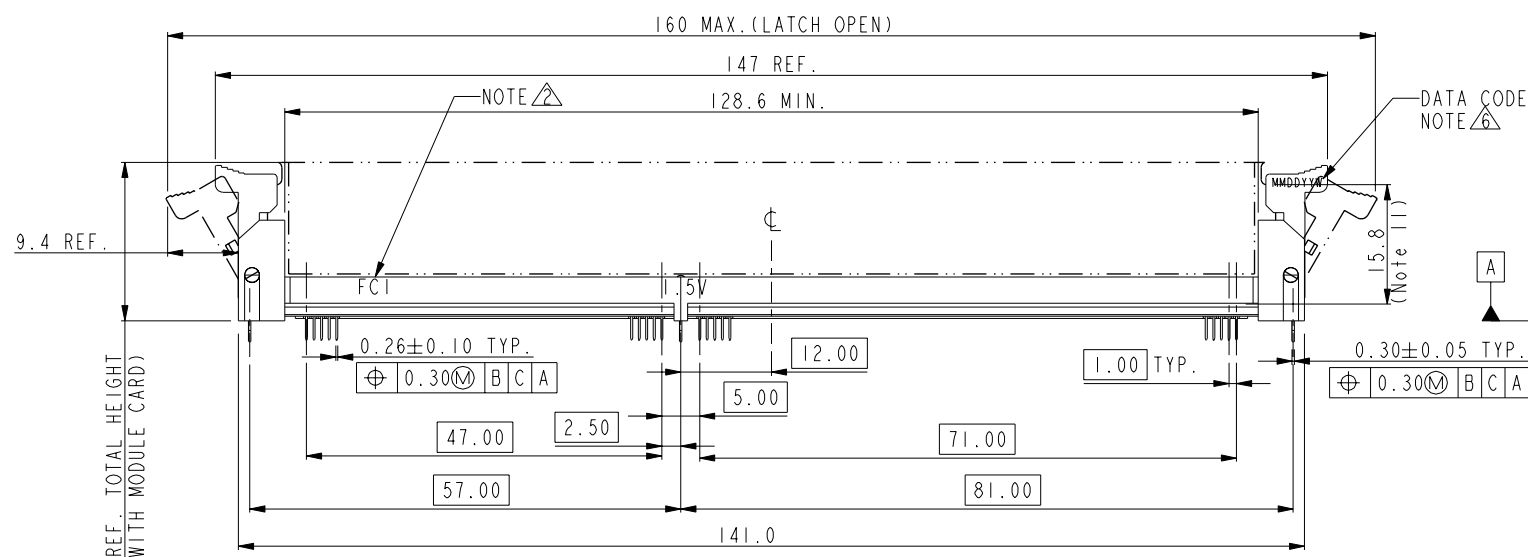
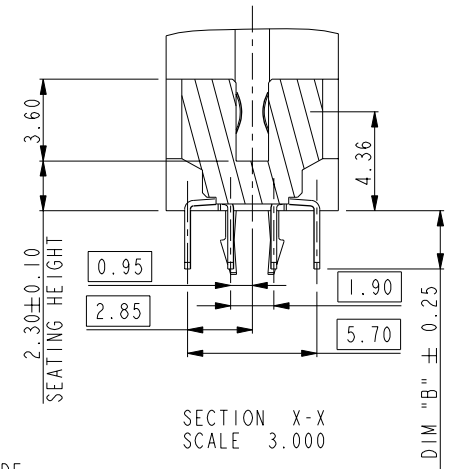
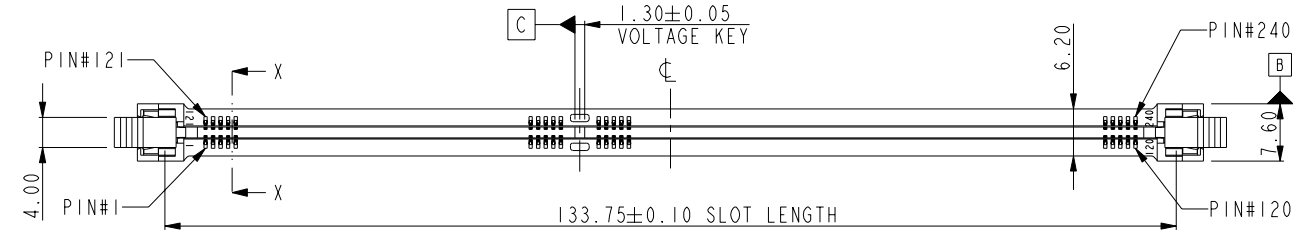




Copyright FCI.



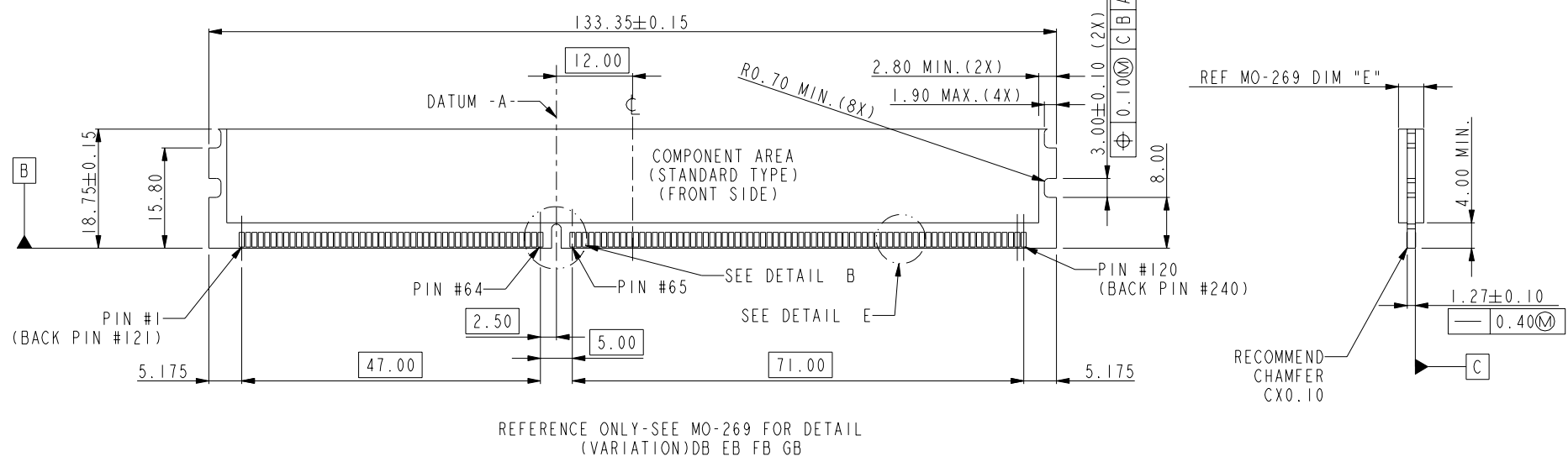
rev	ecn no	dr	date
A	DG08-0020	R C	01/14/2008
B	DG08-0064	R C	03/20/2008
C	DG08-0200	R C	07/31/2008
D	T09-1069	R C	05/13/2009
-	-	-	-
-	-	-	-
-	-	-	-

www.fciconnect.com		surface	<input checked="" type="checkbox"/>	tolerance std	projection	MM
		TOLERANCES UNLESS OTHERWISE SPECIFIED				
Dr	RICHARD CHIU	04/12/2007	ANGULAR	0.X	±0.38	size A4
Eng	RICHARD CHIU	04/12/2007	LINEAR	0.XX	±0.25	Scale 0.707
Chr	PAUL WANG	04/12/2007	0° ±5°	0.XXX	±0.13	ECN DG08-0233
Appr	JOSEPH HSIA	04/12/2007	Product family	-	Spec ref	*
		title	VERY LOW PROFILE (VLP) T.H		dwg no	10078239
		catalog no	-		CUSTOMER	Rev. D
				sheet 1 of 4		

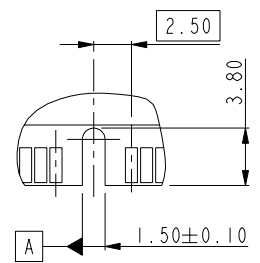
REV F - 2006-04-17



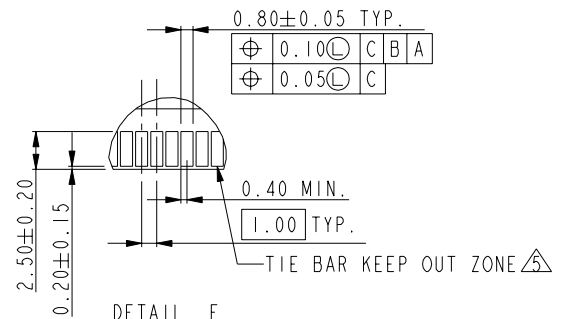
Copyright FCI.



REFERENCE ONLY-SEE MO-269 FOR DETAIL (VARIATION)DB EB FB GB



DETAIL B
SCALE 2.000

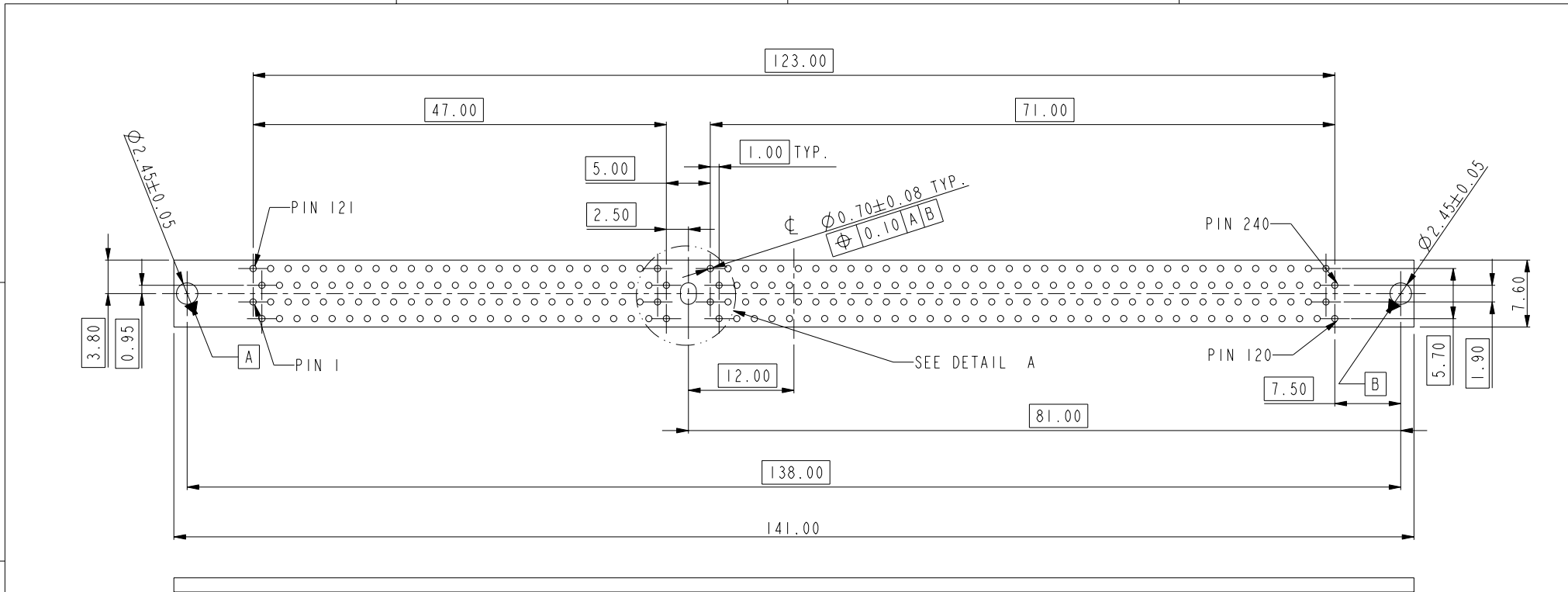


DETAIL E
SCALE 2.000

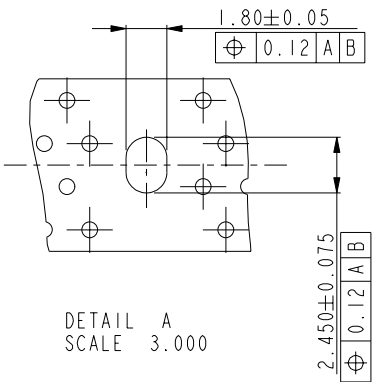
www.fciconnect.com		surface	-	tolerance std		projection	MM
		TOLERANCES UNLESS OTHERWISE SPECIFIED					
Dr	RICHARD CHIU 04/12/2007	ANGULAR	LINEAR	0.X	±0.38	size	A4
Eng	RICHARD CHIU 04/12/2007			0.XX	±0.25		Scale
Chr	PAUL WANG 04/12/2007	0°	±5°	0.XXX	±0.13	ECN	DG08-0233
Appr	JOSEPH HSIA 04/12/2007	Product family		-	Spec ref	*	
		title VERY LOW PROFILE (VLP) T.H DDR3, 240P MEMORY SOCKET (FOR UDIMM)		dwg no 10078239		Rev. D	
catalog no		-		CUSTOMER		sheet 2 of 4	



Copyright FCI.



RECOMMENDED CIRCUIT BOARD HOLE LAYOUT



www.fciconnect.com			surface	<input checked="" type="checkbox"/>	tolerance std	projection	MM		
			TOLERANCES UNLESS OTHERWISE SPECIFIED						
Dr	RICHARD CHIU	04/12/2007	ANGULAR	LINEAR	0.X	± 0.38	size A4	Scale 0.707	
Eng	RICHARD CHIU	04/12/2007			0.XX	± 0.25	ECN	DG08-0233	
Chr	PAUL WANG	04/12/2007	0°	$\pm 5^\circ$	0.XXX	± 0.13	Spec ref *		
Appr	JOSEPH HSIA	04/12/2007	Product family						
		title	VERY LOW PROFILE (VLP) T.H				dwg no	10078239	Rev. D
			DDR3, 240P MEMORY SOCKET (FOR UDIMM)						
		catalog no	-				CUSTOMER	sheet 3 of 4	

REV F - 2006-04-11

10078239 - □ □ □ □

STYLE : MECHANICAL KEYING

1 : 1.5 VOLT. W/ CENTER KEY

CONTACT & FORKLICK LENGTH

CODE	DIM "B"	DIM "D"	PCB THICKNESS
00	2.67 mm	3.50 mm	1.60 MM (0.063")
11	3.18 mm	4.00 mm	2.36 MM (0.093")

PLATING

CODE	CONTACT	SOLDERTAIL	UNDERPLATE
1LF	10u" (0.25um) MIN. GOLD	100u" (2.54um) MIN. 100% MATTE TIN	50u" (1.27um) MIN. NICKEL OVERALL
2LF	15u" (0.38um) MIN. GOLD		
3LF	30u" (0.76um) MIN. GOLD		
4LF	3u" (0.076um) MIN. GOLD		

COLOR OF HOUSING AND EJECTOR

- 0 : BLACK HOUSING + IVORY EJECTOR
- 2 : BLACK HOUSING + BLACK EJECTOR
- 8 : IVORY HOUSING + IVORY EJECTOR
- 9 : IVORY HOUSING + BLACK EJECTOR

NOTES:

1. MATERIAL:
HOUSING: HIGH PERFORMANCE RESINS, GLASS FILLED UL94V-0 RATED.
EJECTOR: HIGH PERFORMANCE RESINS, GLASS FILLED UL94V-0 RATED.
TERMINAL: HIGH PERFORMANCE COPPER ALLOY
METAL CLIP: COPPER ALLOY.
2. FCI LOGO TO BE APPROXIMATELY LOCATED AS SHOWN ON PRINT.
3. PRODUCT SPECIFICATION: GS-12-368.
4. PACKAGING SPECIFICATION: GS-14-899.
5. FOR OPTIMUM PERFORMANCE, THE TIE BAR IS TO BE ON AN INTERNAL LAYER SO THAT THE REMNANT CANNOT CAUSE CONTACT DAMAGE.
6. THE DATE CODE IS SHOWN "MM-DD-YY-W". "W" MEANS PRODUCTION LINE.
7. THE REQUIRED PCB THICKNESS IS 1.60MM MINIMUM FOR BOARD LOCK RETENTION.
8. THIS SOCKET MEETS APPLICABLE JEDEC STD.; SOCKET OUTLINE SO-XXX, GAUGE GS-00X AND GS-00X.(SUSPENDED BY JEDEC)
9. THIS PRODUCT MEETS EUROPEAN UNION DIRECTIVES AND OTHER COUNTRY REGULATIONS AS DESCRIBED IN GS-22-008.
10. THE HOUSING WILL WITH STAND EXPOSURE TO 260 ± 5°C PEAK TEMPERATURE FOR 10 SECONDS IN A WAVE SOLDERING APPLICATION.
11. FROM SEATING PLANE TO TOP MODULE CARD ENGAGEMENT.

www.fciconnect.com			surface <input checked="" type="checkbox"/>	tolerance std	projection	MM		
			TOLERANCES UNLESS OTHERWISE SPECIFIED					
Dr	RICHARD CHIU	04/12/2007	ANGULAR	LINEAR	0.X	±0.38	size A4	Scale 1.000
Eng	RICHARD CHIU	04/12/2007			0.XX	±0.25		
Chr	PAUL WANG	04/12/2007			0°	±5°	0.XXX	±0.13
Appr	JOSEPH HSIA	04/12/2007	Product family			Spec ref *		
			VERY LOW PROFILE (VLP) T.H					
			DDR3, 240P MEMORY SOCKET (FOR UDIMM)					
catalog no			-			CUSTOMER		
			-			sheet 4 of 4		



Copyright FCI.

Mouser Electronics

Authorized Distributor

Click to View Pricing, Inventory, Delivery & Lifecycle Information:

[FCI / Amphenol:](#)

[10078239-11101LF](#) [10078239-11104LF](#) [10078239-11103LF](#) [10078239-10002LF](#) [10078239-10003LF](#) [10078239-11123LF](#) [10078239-11102LF](#)