

THIS DRAWING IS UNPUBLISHED.

RELEASED FOR PUBLICATION

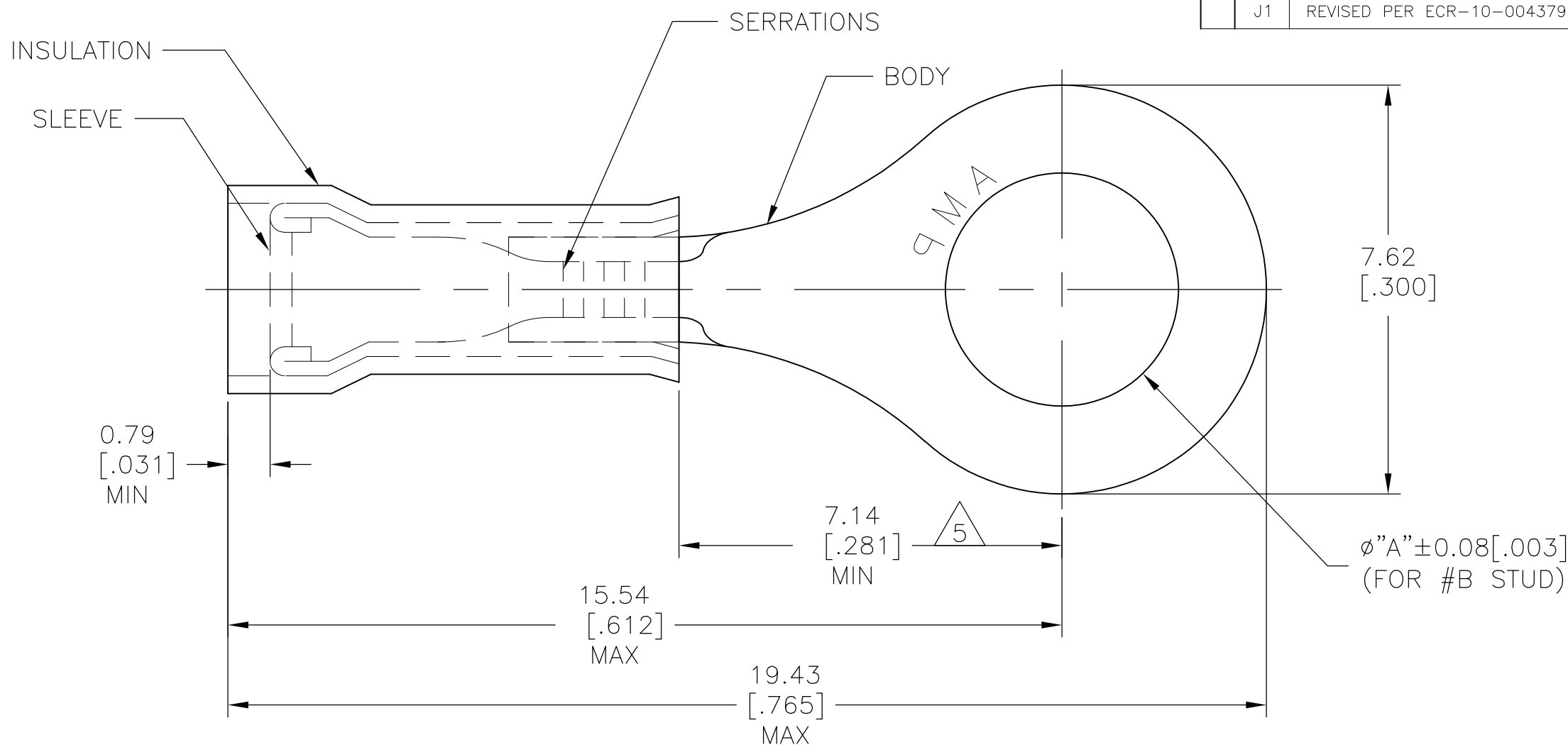
© COPYRIGHT BY TYCO ELECTRONICS CORPORATION.

ALL INTERNATIONAL RIGHTS RESERVED.

LOC G DIST 14

REVISIONS

P	LTR	DESCRIPTION	DATE	DWN	APVD
J1		REVISED PER ECR-10-004379	22MAR10	HMR	JR



- 1 SUPERSEDED BY 52124-1
- 2 MILITARY RANGE: 26-24
COMMERCIAL RANGE: 26-22
- 3 FOR 1.27 [.050] TO 2.08 [.082]
WIRE INSULATION DIA
- 4 TONGUE MATERIAL THK
 $0.46 \pm 0.05 [.018 \pm .002]$
- 5 APPLIES FROM EDGE OF METAL
BARREL TO CENTERLINE OF STUD HOLE.

"B"	"A"	QTY	DESCRIPTION	PART NO ON TAPE	MATERIAL & FINISH	PART NO
	#10	.197	1	WIRE TERMINAL	BODY: COPPER ASTM-B152 TIN PL ASTM-B545	52124-1
	#8	.171	1	WIRE TERMINAL	SLEEVE: COPPER ASTM-B152 TIN PL ASTM-B545	52124-2
					INSULATION: NYLON ASTM-D4066 TYPE I COLOR: YELLOW	52124

THIS DRAWING IS A CONTROLLED DOCUMENT.

DWN RAGHAVENDRA 22MAR10	 Tyco Electronics Corporation Harrisburg, PA 17105-3608
CHK JEFF RUTH 22MAR10	
APVD TOM MICHIELUTTI 22MAR10	
NAME	
PRODUCT SPEC	TERMINAL PIDG - NYLON - RING TONGUE WIRE SIZE: 26-22
APPLICATION SPEC	SIZE CAGE CODE DRAWING NO RESTRICTED TO
WEIGHT	A3 00779 C-52124
CUSTOMER DRAWING	SCALE 10:1 SHEET 1 OF 1 REV J1

DIMENSIONS: mm [INCHES]	TOLERANCES UNLESS OTHERWISE SPECIFIED:
	0 PLC ± -
	1 PLC ± -
	2 PLC ± -
	3 PLC ± 0.20 [.008]
	4 PLC ± -
	ANGLES ± 0° 30'
MATERIAL SEE TABLE	FINISH SEE TABLE

Mouser Electronics

Authorized Distributor

Click to View Pricing, Inventory, Delivery & Lifecycle Information:

[TE Connectivity:](#)

[52124-1](#)