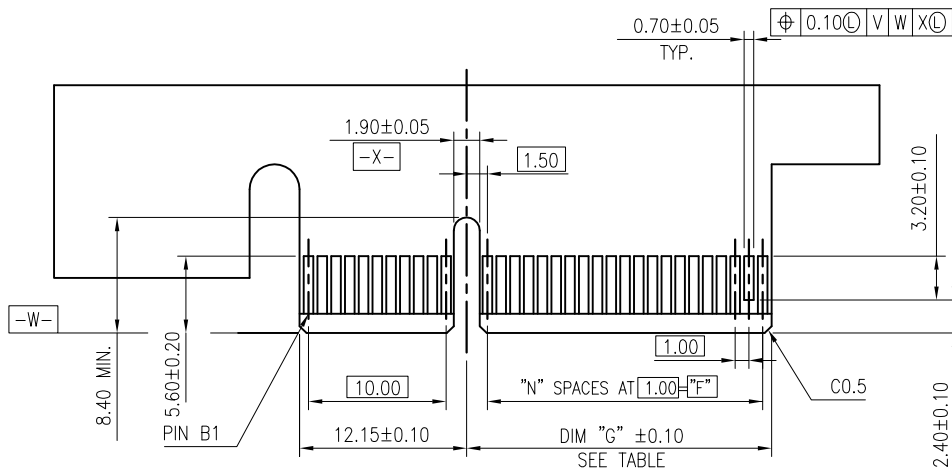


HOLD DOWN TYPE

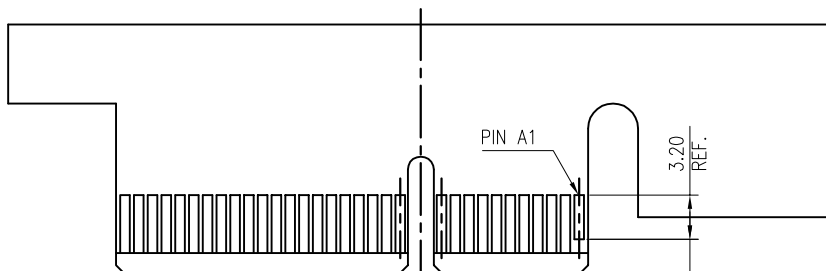
Amphenol FCI

mat'l. code		-		surface	58	tolerance	ISO 1302	ISO 406	ISO 101	projection	product family	PCI_EXPRESS		
ltr	ecn no	dr	date	tolerances unless otherwise specified				MM		scale 1	title			
L	ELX-DG-21161-1	ST	2015/05/27	angles	linear	.X±.3		MM			PCI_EXPRESS_CARD_EDGE_GEN3 ASSEMBLY(SMT)			
M	ELX-DG-24164	ZH	2016/06/01			.XX±.20								
N	ELX-DG-25671-1	ZH	2016/12/19	0°±2'		XXX±.10				dwg no		sheet 1 of 6	size	
P	ELX-DG-27937	ZH	2017/09/12	dr	ZHENHUA_LIU	2015/05/27		Amphenol FCI		10061913		A4		
R	ELX-DG-37597	ZH	2020/06/18	engr	ZHENHUA_LIU	2015/05/27				type		CUSTOMER Drawing		
sheet index		revision sheet		R										

© 2016 AFCI



I/O PANEL DIRECTION
PRIMARY (COMPONENT) SIDE



I/O PANEL DIRECTION
SECONDARY (SOLDER) SIDE

#	POS	REF.	N	DIM "G"	DIM "F"	"F"
36	6		6	8.15	6.00	B17
64	20		20	22.15	20.00	B31
98	37		37	39.15	37.00	B48
164	70		70	72.15	70.00	B81

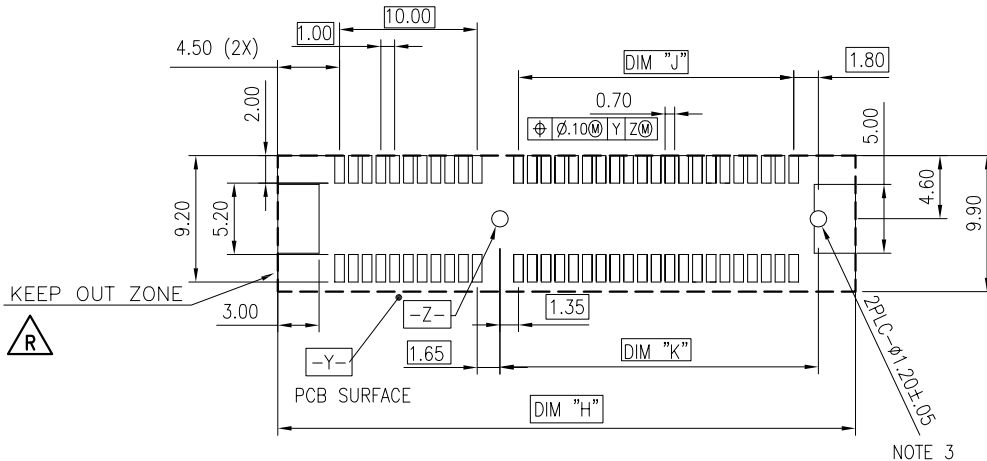
PIN "F" SEE TABLE

PIN "F" SEE TABLE

PIN "F" SEE TABLE

ADD-IN CARD EDGE-FINGER DIMENSIONS

mat'l. code		surface 58/ISO 1302		tolerance ISO 406 ISO 101		projection		product family	
-		✓				101		PCI_EXPRESS	
ltr	ecn no	dr	date	tolerances unless otherwise specified				title	
				angles	linear		MM		PCI_EXPRESS_CARD_EDGE_GEN3 ASSEMBLY(SMT)
				0°±2'			scale 2		
		dr	ZHENHUA_LIU	2015/05/27			Amphenol FCI		10061913
		engr	ZHENHUA_LIU	2015/05/27			sheet 2 of 6		
		chr					size		A4
		appd	HEAVEN_CEN	2015/05/27			type		CUSTOMER Drawing
sheet index	revision sheet	R							



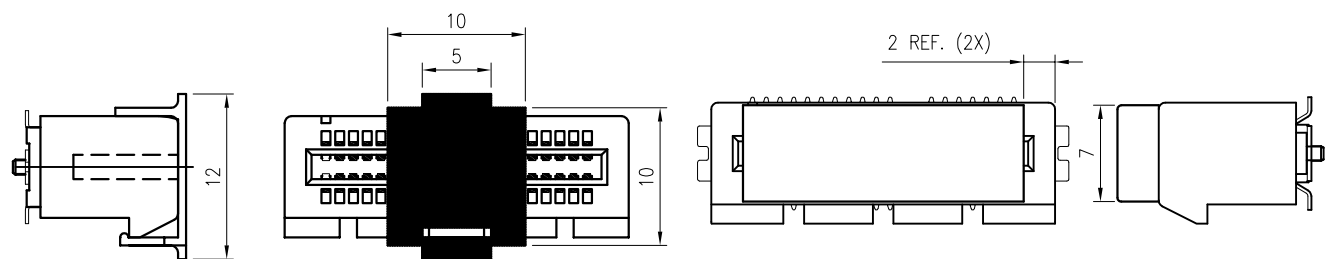
NOTE 3

RECOMMENDED PCB LAYOUT, PAD TYPE

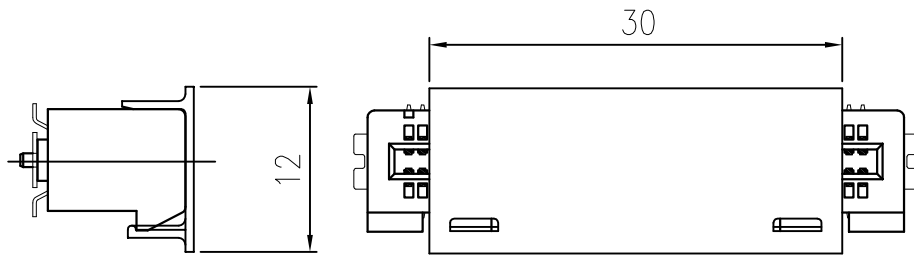
DIMENSIONS								
POSITION	A	B $\begin{smallmatrix} +0.15 \\ -0.05 \end{smallmatrix}$	C ± 0.20	D ± 0.23	E ± 0.20	H ± 0.10	J	K ± 0.10
36	6.00	7.65	9.15	25.00	27.00	28.00	6.00	9.15
64	20.00	21.65	23.15	39.00	41.00	42.00	20.00	23.15
98	37.00	38.65	40.15	56.00	58.00	59.00	37.00	40.15
164	70.00	71.65	73.15	89.00	91.00	92.00	70.00	73.15

POSTION OF CAP

POSTION OF DUMMY CARD



POSTION OF CUSTOMIZED CAP(30X12)



Amphenol FCI

© 2016 AFCI

mat'l. code				surface 58 / tolerance ISO 1302 ✓ / ISO 406 ISO 101		projection		product family			
-						101		PCI_EXPRESS			
ltr	ecn no	dr	date	tolerances unless otherwise specified				title			
				angles		linear		PCI_EXPRESS_CARD_EDGE_GEN3 ASSEMBLY(SMT)			
				.X±.3		MM		scale 2			
				.XX±.20				dwg no sheet 3 of 6 size			
				0°±2'				10061913 A4			
dr ZHENHUA_LIU 2015/05/27				engr ZHENHUA_LIU 2015/05/27				type CUSTOMER Drawing			
chr				appd HEAVEN_CEN 2015/05/27							
sheet index	revision	R									
	sheet										

NOTES:

1.MATERIAL:

HOUSING: NYLON, GLASS FILLED UL94V-0 RATE, SUITABLE FOR I.R SOLDERING.

TERMINAL: COPPER ALLOY

PLATING: 50u" NICKEL UNDERPLATE ALL OVER CONTACT AREA PLATING - SEE PRODUCT NUMBER CODE SOLDER TAIL: TIN 100u" OVER 50u" NICKEL

METAL PADS: COPPER ALLOY FINISH: 100u" TIN OVER 50u" NICKEL

2.PRODUCT SPECIFICATION: GS-12-390

③THE HORIZONTAL AXIS FOR THE PAD PATTERN IS ESTABLISHED BY A LINE THROUGH THE CENTER OF THE TWO Ø1.0 HOLES. THE VERTICAL AXIS IS 90° TO THE HORIZONTAL AXIS, THROUGH THE CENTER OF DATUM [Z-]

④NO TIE BAR PERMITTED FROM CARD EDGE TO LEADING EDGE OF PAD FOR PINS A1. 18±2(2X)

⑤CHAMFER EDGES MUST BE FREE OF CUTTING BURRS.

6.RoHS COMPATIBLE PRODUCT SPECIFICATIONS

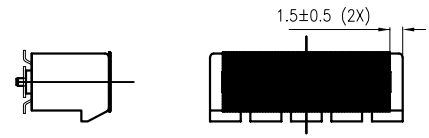
a - PLATING:

- "LF" MEANS THE PRODUCT IS LEAD-FREE

b - MANUFACTURING PROCESS COMPATIBILITY

- THE HOUSING WILL WITHSTAND EXPOSURE TO 260°C±5°C PEAK TEMPERATURE FOR 5 SECONDS IN A CONVECTION, INFRA-RED OR VAPOR PHASE REFLOW OVEN.

7.A [R]SYMBOL WILL BE NEXT TO ANY DIMENSION, VIEW, OR NOTE WHICH HAS BEEN MODIFIED WITH CURRENT DRAWING REVISION.



POSITION OF MYLAR



POSITION OF MYLAR (10061613-XX3WLF)



PRODUCT NUMBER CODE

10061913-X X X X L F LEAD FREE

HOUSING COLOR OPTIONS

- 0-WHITE
1-BLACK

PACKAGING OPTIONS

- T-TRAY PACKAGING WITHOUT CAP
C-TRAY PACKAGING WITH CAP
N-TRAY PACKAGING WITH MYLAR
G-TRAY PACKAGING WITH DUMMY CARD
Y-TRAY FOR VACUUM PACKAGING
R-TAPE & REEL PACKAGING WITHOUT CAP OR MYLAR (FOR 36P & 64P & 98P OPTIONS ONLY)
P-TAPE & REEL PACKAGING WITH CAP (FOR 36P & 64P & 98P OPTIONS ONLY)
K-TAPE & REEL PACKAGING WITH CAP (FOR 36P & 64P & 98P OPTIONS ONLY, ONE BAG PER REEL)
Q-TAPE & REEL PACKAGING WITH CAP (24MM PITCH FOR 98P ONLY)
M-TAPE & REEL PACKAGING WITH MYLAR (FOR 36P & 64P OPTIONS ONLY)
J-TAPE & REEL PACKAGING WITH MYLAR (24MM PITCH FOR 98P & 164P ONLY)
U-REEL FOR VACUUM PACKAGING
A-44MM WIDTH TAPE&REEL PACKING WITH MYLAR(FOR 36P ONLY)
Y-HARD TRAY(338x234) (FOR 36P, 98P & 164P OPTION ONLY)
Z-HARD TRAY(338x234) WITH MYLAR (FOR 36P, 98P & 164P OPTION ONLY)
W-HARD TRAY(338x234) WITH 53mm(L) MYLAR (FOR 164P OPTION ONLY)
B-HARD TRAY(338x234) WITH CAP (FOR 36P, 98P & 164P OPTION ONLY)
H-CUSTOMIZED HARD TRAY(330x235x19.3) WITH 30mm CUSTOMIZED CAP (FOR 98 & 164P OPTION ONLY)
D-SMALLER HARD TRAY WITH CHAMFER AT LEFT-BOTTOM SIDE (323x136x19) WITH 30mm CAP (FOR 164P ONLY)
E-CUSTOMIZED HARD TRAY(330x235x19.3) WITH MYLAR (FOR 98 & 164P OPTION ONLY)
F-SMALLER HARD TRAY WITH CHAMFER AT LEFT-BOTTOM SIDE (323x136x19) (FOR 164P ONLY)
L-CUSTOMIZED HARD TRAY(298x185x19.3) WITH CAP (FOR 164P OPTION ONLY)

TERMINAL PLATING OPTIONS

- 0-50u" Ni UNDERPLATE
30u" Au CONTACT AREA
100u" TIN TAIL AREA ----- COMPATIBLE RoHS
1-50u" Ni UNDERPLATE
15u" Au CONTACT AREA
100u" TIN TAIL AREA ----- COMPATIBLE RoHS
2-50u" Ni UNDERPLATE
GOLD FLASH CONTACT AREA
100u" TIN TAIL AREA ----- COMPATIBLE RoHS
3-50u" Ni UNDERPLATE
30u" Au CONTACT AREA
GOLD FLASH TAIL AREA ----- COMPATIBLE RoHS

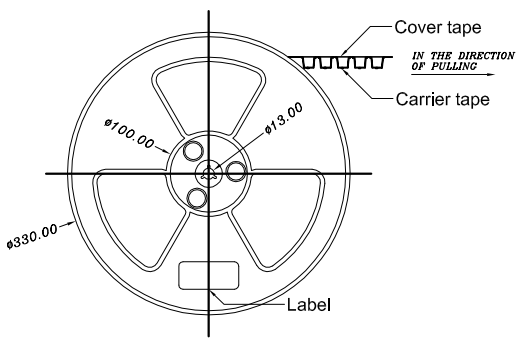
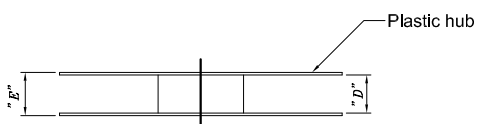
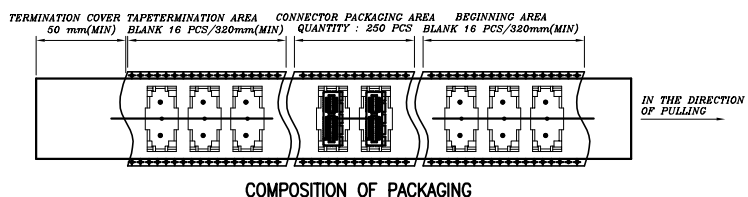
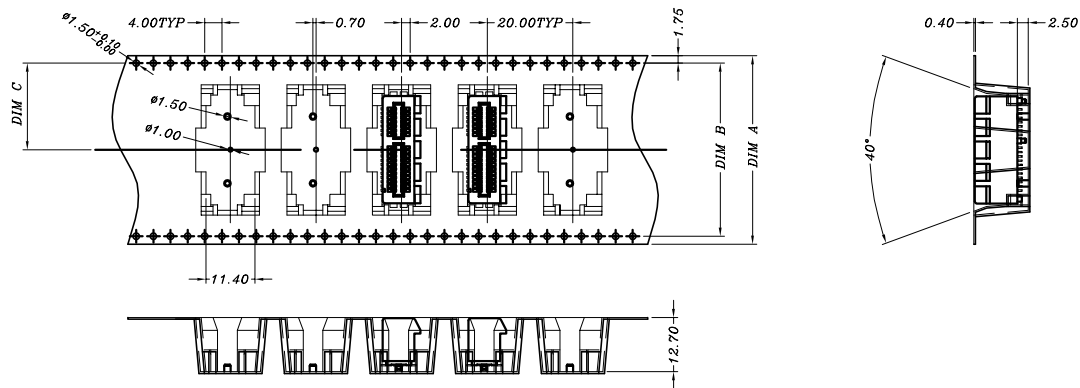
POS OPTIONS

- 0-36
1-64
2-98
3-164

Amphenol FCI

© 2016 AFCI

Table with columns for material code, surface, tolerance, projection, product family, title, and drawing information. Includes Amphenol FCI logo and drawing title 'PCI_EXPRESS_CARD_EDGE_GEN3 ASSEMBLY(SMT)'.



TAPE AND REEL
 PACKING
 RECOMMENDED FOR
 36PINS ONLY

DIMENSIONS					
POSITIONS	A	B	C	D REF.	E REF.
36 (10061913-xxxALF)	44.00	40.40	20.20	44.5	50.5
36	56.00	52.60	26.30	56.4	60.4
64	56.00	52.60	26.30	56.4	60.4
98	88.00	79.60	39.80	88.4	92.4

mat'l. code		surface 58 / tolerance		projection		product family	
-		ISO 1302 ✓ ISO 406 ISO		101		PCI_EXPRESS	
ltr	ecn no	dr	date	tolerances unless otherwise specified		title	
				angles		PCI_EXPRESS_CARD_EDGE_GEN3 ASSEMBLY(SMT)	
				linear		MM	
				0°±2'		scale 1	
		dr	ZHENHUA_LIU	2015/05/27			
		engr	ZHENHUA_LIU	2015/05/27			
		chr					
		appd	HEAVEN_CEN	2015/05/27			
sheet index		revision sheet	R	dwg no		sheet 5 of 6	size
				10061913		A4	
				type		CUSTOMER Drawing	

1 For PCI EXPRESS SMT TYPE 36P ONLY.

2. Material :

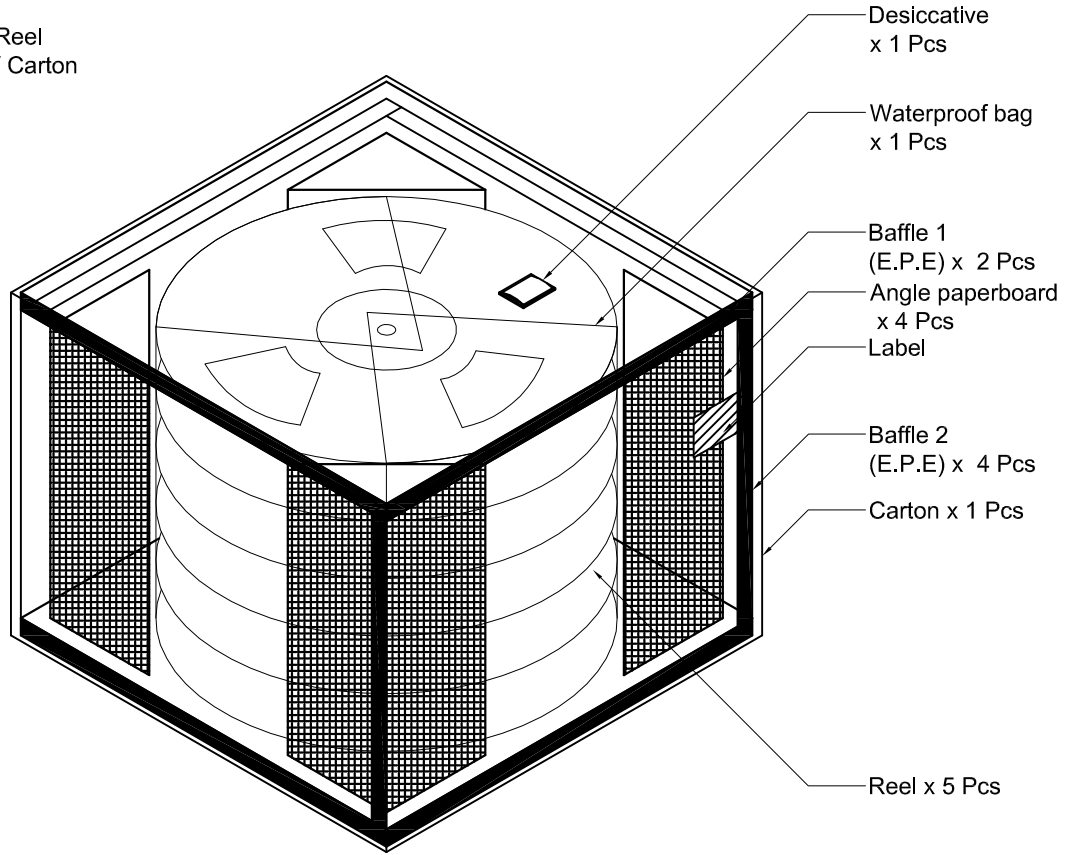
- 2.1 Reel :
 - 2.1.1 Plastic hub : High Impact Polystyrene
 - 2.1.2 Cover tape : PE
 - 2.1.3 Carrier tape : ABS
- 2.2 Waterproof bag : PE
- 2.3 Desiccative : Silica Gel
- 2.4 Carton : Corrugated paper
- 2.5 Baffle : E.P.E
- 2.6 Angle paperboard : Corrugated paper

3. Dimension :

- 3.1 Reel :
 - 3.1.1 Plastic hub : $\phi 330 \times T50.5$ mm
 - 3.1.2 Cover tape : $5690(L) \times 37.4(W)$ mm
 - 3.1.3 Carrier tape : $5640(L) \times 44(W)$ mm
- 3.2 Waterproof bag : $600(H) \times 465(W) \times 0.06(T)$ mm
- 3.3 Desiccative : 25 gram / Package
- 3.4 Carton : $380(L) \times 380(W) \times 300(H)$ mm
- 3.5 Baffle (1): $370(L) \times 370(W) \times 15(H)$ mm
- 3.6 Baffle (2): $355(L) \times 252(W) \times 15(H)$ mm
- 3.7 Angle paperboard : $252(H)$

4. Quantity :

- 4.1 250 Pcs / Reel
- 4.2 1250 Pcs / Carton



Amphenol FCI

© 2016 AFCI

mat'l. code		surface 58 / tolerance		projection		product family		
-		ISO 1302 ✓ ISO 406 ISO 101				PCI_EXPRESS		
ltr	ecn no	dr	date	tolerances unless otherwise specified		title		
				angles linear		PCI_EXPRESS_CARD_EDGE_GEN3 ASSEMBLY(SMT)		
				.X±.3		MM		
				.XX±.20		scale 1		
				0°±2'		XXX±.10		
		dr	ZHENHUA_LIU	2015/05/27		dwg no	sheet 6 of 6	size
		engr	ZHENHUA_LIU	2015/05/27		10061913	A4	
		chr						
		appd	HEAVEN_CEN	2015/05/27		type	CUSTOMER Drawing	
sheet index	revision sheet	R						

Mouser Electronics

Authorized Distributor

Click to View Pricing, Inventory, Delivery & Lifecycle Information:

[FCI / Amphenol:](#)

[10061913110ML](#) [10061913110RL](#) [10061913-102SLF](#) [10061913-132LCF](#)