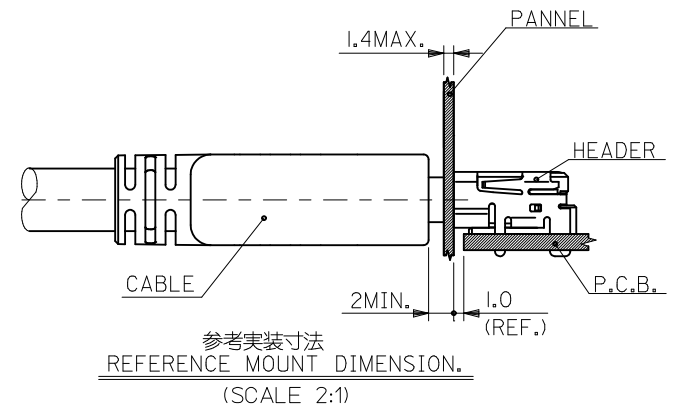
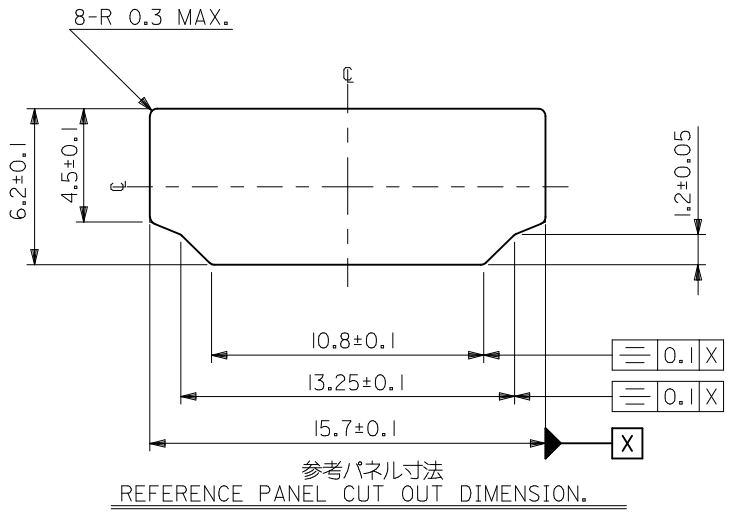
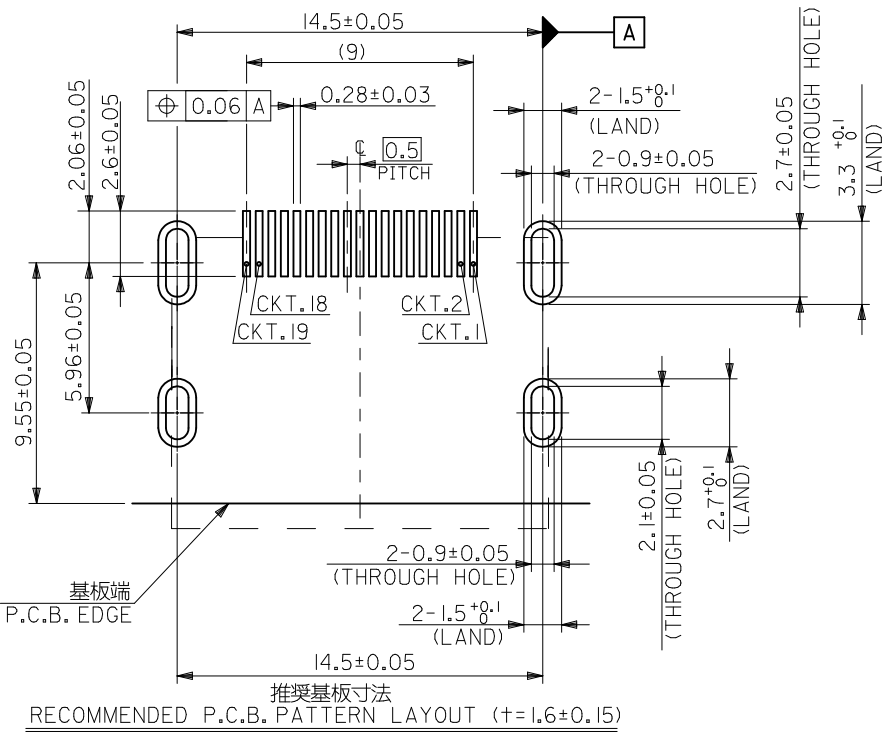


注記  
NOTE

- 材質  
MATERIAL  
ハウジング: ガラス入り耐熱樹脂  
HOUSING: GLASS FILLED HEAT-RESISTED RESIN, UL94V-0  
ターミナル: 銅合金  
TERMINAL: COPPER ALLOY  
シェル: 銅合金  
SHELL: COPPER ALLOY
- めっき仕様  
PLATING  
ターミナル: <接点部>金めっき 0.76μm以上  
TERMINAL <CONTACT AREA>: (1) GOLD(Au) 0.76 MICROMETER MINIMUM.  
(2) GOLD FLASH OVER Pd/Ni  
  
<半田付け部>錫めっき 1.0μm以上  
<SOLDER TAIL AREA> TIN(Sn) 1.0 MICROMETER MINIMUM.  
<下地>ニッケルめっき 2μm以上  
<UNDER-PLATING> NICKEL(Ni) 2 MICROMETER MINIMUM.  
シェル: 錫めっき 1.0μm以上  
SHELL TIN(Sn) 1.0 MICROMETER MINIMUM.  
下地ニッケルめっき 1.27μm以上  
UNDER-PLATING NICKEL (Ni) 1.27 MICROMETER MINIMUM.
- テール部の平坦度: 0.1 MAXIMUM.  
COPLANALITY OF TAIL: 0.1 MAXIMUM.

500254-1926	SEE NOTES 2(2)	19
500254-1927	SEE NOTES 2(1)	
EMBOSS PACKAGING		CURCUIITS
MATERIAL NO.	CONTACT AREA PLATING	

ADD NEW P/N EC NO: S2012-0578 DRWN: ZENG 2012/01/18 CHKD: JESSIECHUA 2012/03/15 APPR: NAGESHKN 2012/03/19	GENERAL TOLERANCES (UNLESS SPECIFIED)		DIMENSION STYLE MM ONLY		SCALE		DESIGN UNITS METRIC		THIRD ANGLE PROJECTION	
	10 UNDER	±0.2	DRAWN BY	DATE	TITLE					
	10 OVER 30 UNDER	±0.25	K. TOYODA	'04/03/26	HDMI RIGHT ANGLE HEADER ASSY -LEAD FREE-					
	30 OVER	±0.3	K. ASAKAWA	'04/03/26						
	ANGULAR	±3 °	APPROVED BY	DATE	MOLEX INCORPORATED					
DRAFT WHERE APPLICABLE MUST REMAIN WITHIN DIMENSIONS		S. ICHIKAWA	'04/03/26							
SIZE A3	THIS DRAWING CONTAINS INFORMATION THAT IS PROPRIETARY TO MOLEX INCORPORATED AND SHOULD NOT BE USED WITHOUT WRITTEN PERMISSION				MATERIAL NO. SEE CHART		DOCUMENT NO. SD-500254-005		SHEET NO. 1 OF 3	



推奨基板寸法  
RECOMMENDED P.C.B. PATTERN LAYOUT (+/-1.6±0.15)

参考実装寸法  
REFERENCE MOUNT DIMENSION.  
(SCALE 2:1)

SEE SHEET1 EC NO: S2012-0578 DRWN: ZENG 2012/01/18 CHKD: JESSIECHUA 2012/03/15 APPR: NAGESHKN 2012/03/19	GENERAL TOLERANCES (UNLESS SPECIFIED)		DIMENSION STYLE MM ONLY		SCALE	DESIGN UNITS METRIC	THIRD ANGLE PROJECTION	
	10 UNDER	±0.2	DRAWN BY K. TOYODA	DATE '04/03/26	TITLE HDMI RIGHT ANGLE HEADER ASSY -LEAD FREE-			
	10 OVER 30 UNDER	±0.25	CHECKED BY K. ASAKAWA	DATE '04/03/26	MOLEX INCORPORATED			
	30 OVER	±0.3	APPROVED BY S. ICHIKAWA	DATE '04/03/26				
	ANGULAR ±3 °		MATERIAL NO.		DOCUMENT NO.		SHEET NO.	
DRAFT WHERE APPLICABLE MUST REMAIN WITHIN DIMENSIONS		SEE CHART		SD-500254-005		2 OF 3		

