

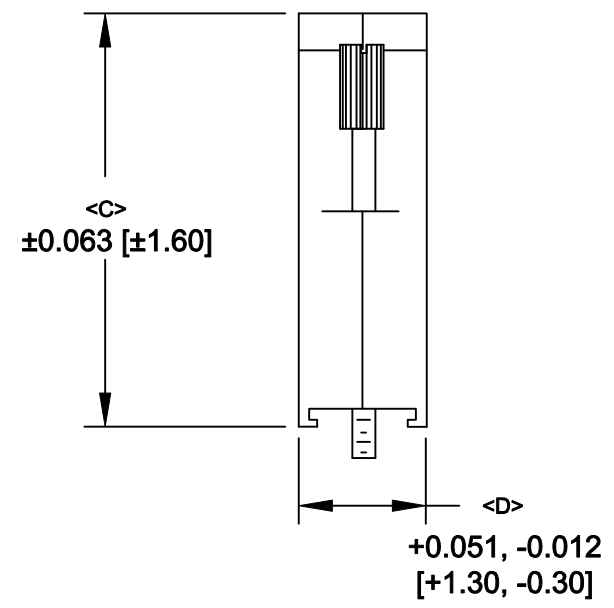
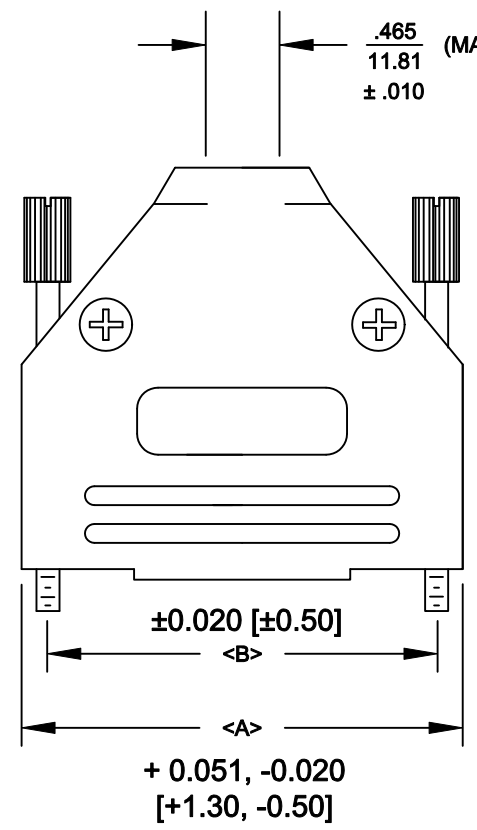
DESCRIPTION: 970 SERIES D-SUB BACKSHELL

BACKSHELL KIT INCLUDES:

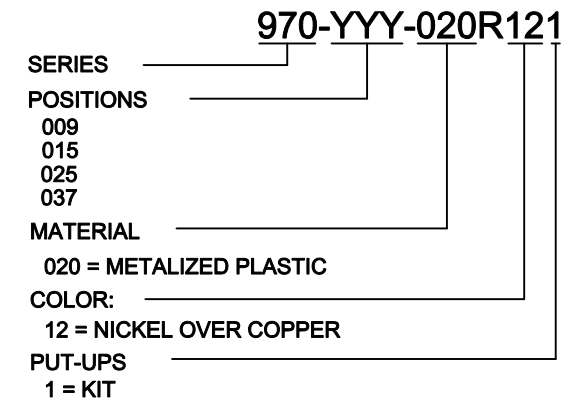
- (2) BACKSHELL HALVES
- (2) 4-40 THUMBSCREWS
- (2) HOUSING SCREWS / NUTS
- (1) SET OF COMPRESSION INSERTS-VARIOUS SIZES
 $\varnothing 0.157$ [4.0], $\varnothing 0.197$ [5.0], $\varnothing 0.276$ [7.0], $\varnothing 0.354$ [9.0]

****NOTE: 3.0 IN/LBS IS RECOMMENDED TORQUE VALUE FOR HOUSING SCREWS/NUTS****


PLASTIC: ABS VH-0800 - NICKEL PLATED - UL94-HB
 JACKSCREWS: STEEL
 M3 HOODSCREWS: STEEL
 COMPRESSION INSERT: ABS UL 94-HB
 M3 NUT: STEEL
 OPERATING TEMP: - 30°C TO + 90°C



| POS. | A | B | C | D |
|------|----------------|----------------|----------------|---------------|
| 9 | 1.228 31.19 | .984 24.99 | 1.571 39.90 | .590 14.99 |
| 15 | 1.555 39.50 | 1.312 33.32 | 1.534 38.96 | .590 14.99 |
| 25 | 2.102 53.39 | 1.852 47.04 | 1.913 48.59 | .590 14.99 |
| 37 | 2.744 69.70 | 2.500 63.50 | 2.110 53.59 | .590 14.99 |



RoHS COMPLIANT

| | | | | |
|--|---|--------------------------------|------------------------------|------------------------|
|  | THESE DRAWINGS AND SPECIFICATIONS ARE THE PROPERTY OF NorComp AND SHALL NOT BE REPRODUCED, COPIED OR USED AS THE BASIS FOR THE MANUFACTURE OR SALE OF APPARATUS WITHOUT WRITTEN PERMISSION. | | DRAWN: PAM JENKINS | DATE: 6-9-05 |
| | | | CHECKED: | DATE: |
| <h1>NorComp</h1> | | SCALE | SHEET 1 OF 1 | REV 13 |
| | | DWG NO. 970-YYY-020R121 | | |

Mouser Electronics

Authorized Distributor

Click to View Pricing, Inventory, Delivery & Lifecycle Information:

[NorComp:](#)

[970-015-020R121](#) [970-025-020R121](#) [970-037-020R121](#) [970-009-020R121](#)