

DO NOT SCALE FROM THIS PRINT

LSHM-1XX-XX.X-XX-DV-A-X-X-TR

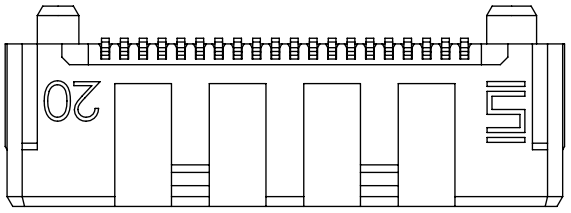
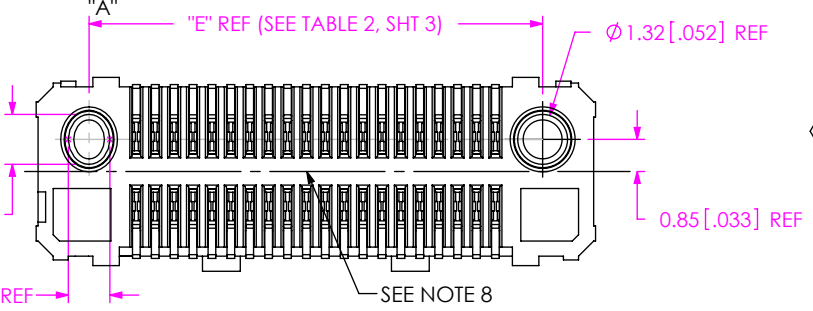
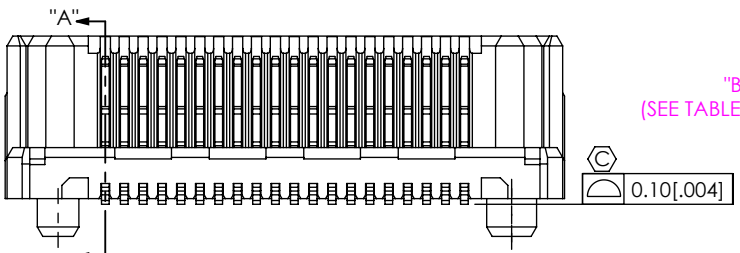
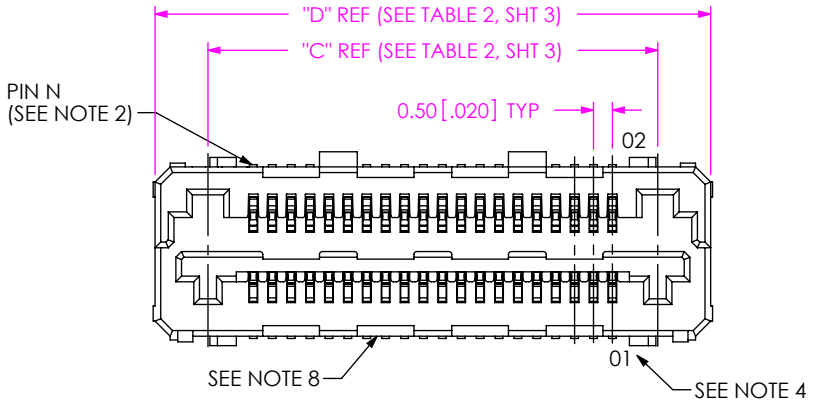


FIG 1  
(LSHM-1XX-XX.X-DV-A-N-X-TR SHOWN)

No OF POSITIONS  
05, 10, 20, 30, 40, 50

LEAD STYLE  
-02.5  
-03.0  
-04.0  
-06.0  
-L2.5: LUBRICATED  
-L3.0: LUBRICATED  
-L4.0: LUBRICATED  
-L6.0: LUBRICATED

PACKAGING(SEE NOTE 6)  
-TR: TAPE & REEL

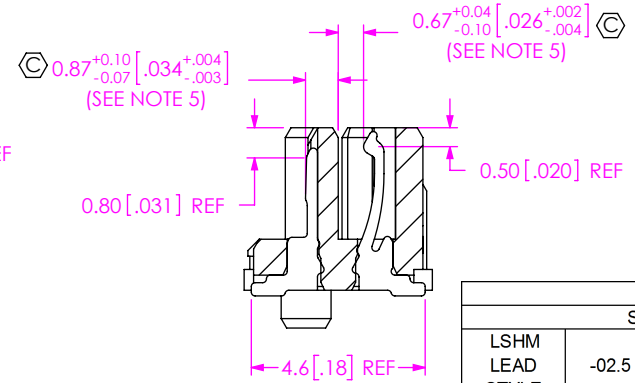
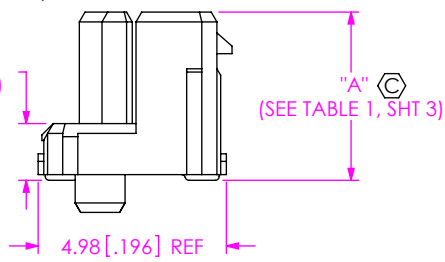
OPTION  
-K: POLYIMIDE FILM  
(USE K-DOT-.138-.250-.005)  
(SEE FIG 3, SHT 3)

SHIELD  
S: WITH SHIELD  
N: NO SHIELD

TAIL OPTION  
DV:VERTICAL

PLATING SPECIFICATION

-L: 10μ" SELECTIVE GOLD IN CONTACT AREA, MATTE TIN ON TAIL  
-F: 3μ" SELECTIVE GOLD IN CONTACT AREA, MATTE TIN ON TAIL  
-S: 30μ" SELECTIVE GOLD IN CONTACT AREA, MATTE TIN ON TAIL  
-H: 30μ" HEAVY GOLD IN CONTACT AREA, 3μ" GOLD ON TAIL



SECTION "A"-A"  
SCALE 5 : 1

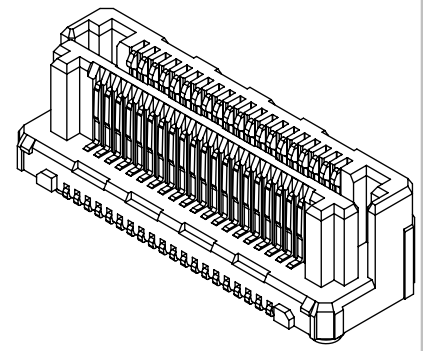


TABLE 4 REF STACK HEIGHT				
LSHM LEAD STYLE	-02.5	-03.0	-04.0	-06.0
-02.5	5.0MM			
-03.0	5.5MM	6.0MM		
-04.0	6.5MM	7.0MM	8.0MM	
-06.0	8.5MM	9.0MM	10.0MM	12.0MM

NOTES:

- ⊗ REPRESENTS A CRITICAL DIMENSION.
- BURR ALLOWANCE: .038 [.0015].
- MINIMUM PUSHOUT FORCE; TERMINALS: 2.22 N [.5 LBS], CONTACTS: 2.22 N [.5 LBS].
- WHEN MATING WITH ANOTHER LSHM-DV, PIN 01 WILL MATE WITH CONTACT 02 ON MATING CONNECTOR. WHEN MATING WITH A LSHM-DH, PIN 01 WILL MATE WITH PIN N, WHERE N=TOTAL NUMBER OF POSITIONS.
- MEASURE FROM TOP OF VERTICAL WALL.
- FOR QUANTITIES UP TO 49 PCS., NO LEADER, TRAILER OR REEL WILL BE SUPPLIED. FOR QUANTITIES OF 50-124 PCS., NO LEADER OR TRAILER WILL BE SUPPLIED.
- FOR APPLICATION REQUIRING TWO OR MORE CONNECTORS PER BOARD, CONTACT IPG@SAMTEC.COM.
- VOID CORING ON THIS SURFACE MAY VARY DEPENDING ON LEAD STYLE AND POSITION COUNT.

F:\DWG\MISC\mktg\LSHM-1XX-XX.X-XX-DV-A-X-X-TR-MKT.SLDDRW

UNLESS OTHERWISE SPECIFIED, DIMENSIONS ARE IN MILLIMETERS(INCHES).

TOLERANCES ARE:  
DECIMALS ANGLES  
X.X: ±0.3 [.01] 2°  
X.XX: ±0.13 [.005]  
X.XXX: ±0.051 [.0020]

PROPRIETARY NOTE  
THIS DOCUMENT CONTAINS CONFIDENTIAL AND PROPRIETARY INFORMATION AND ALL DESIGN, MANUFACTURING, REPRODUCTION, USE, PATENT RIGHTS AND SALES RIGHTS ARE EXPRESSLY RESERVED BY SAMTEC, INC. THIS DOCUMENT SHALL NOT BE DISCLOSED, IN WHOLE OR PART, TO ANY UNAUTHORIZED PERSON OR ENTITY NOR REPRODUCED, TRANSFERRED OR INCORPORATED IN ANY OTHER PROJECT IN ANY MANNER WITHOUT THE EXPRESS WRITTEN CONSENT OF SAMTEC, INC.

MATERIAL: DO NOT SCALE DRAWING  
INSULATOR: LCP, UL 94 V0; COLOR: BLACK  
CONTACT OR TERMINAL: PHOS BRONZE  
SHIELD: STAINLESS STEEL

SHEET SCALE: 2:1

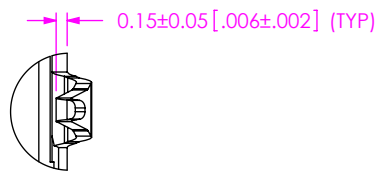
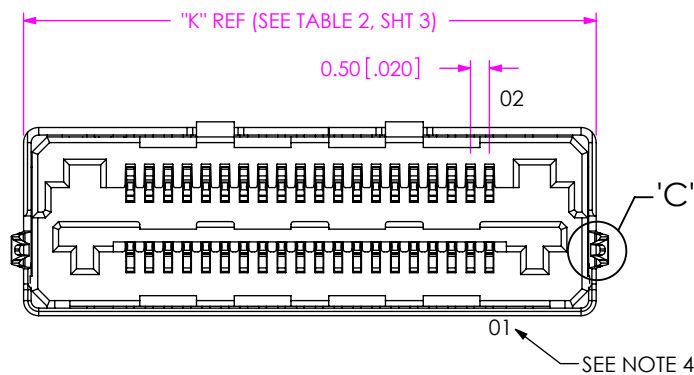


520 PARK EAST BLVD, NEW ALBANY, IN 47150  
PHONE: 812-944-6733 FAX: 812-948-5047  
e-Mail info@SAMTEC.com code 55322

DESCRIPTION:  
0.50mm TERMINAL/SOCKET COMBO

DWG. NO.  
LSHM-1XX-XX.X-XX-DV-A-X-X-TR

BY: AGEN H 10/30/2008 SHEET 1 OF 3



DETAIL 'C'  
 SCALE 10:1

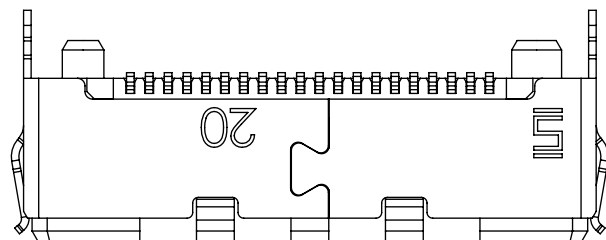
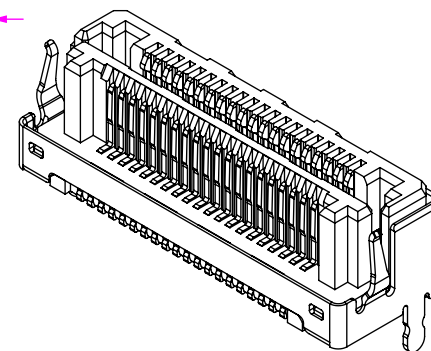
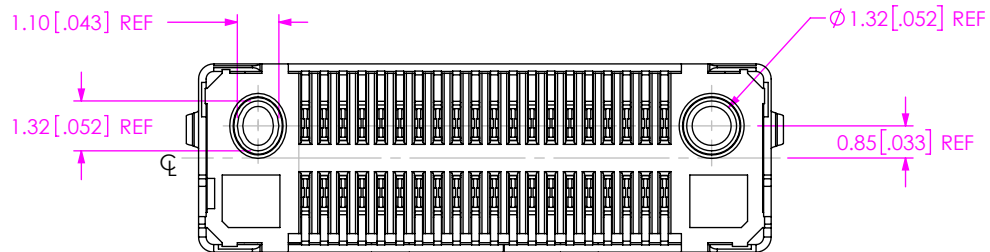
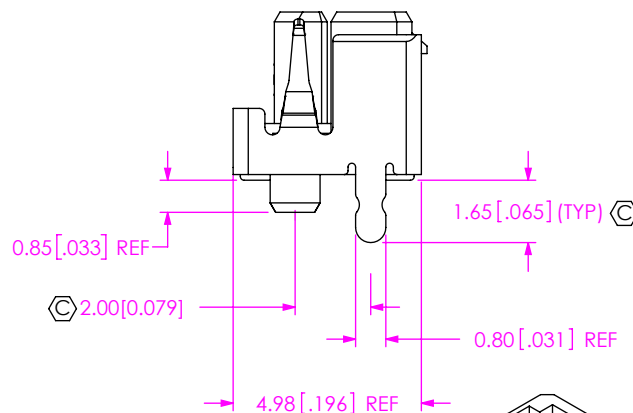
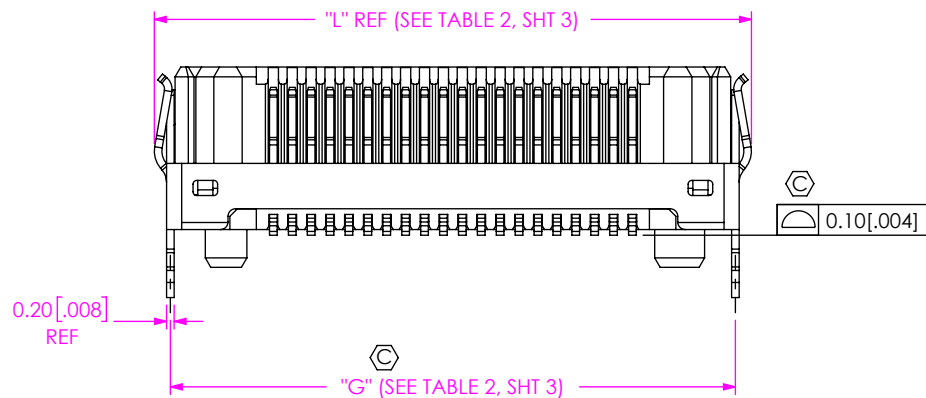


FIG 2  
 (LSHM-1XX-XX.X-DV-A-S-X-TR SHOWN)

**PROPRIETARY NOTE**  
 THIS DOCUMENT CONTAINS CONFIDENTIAL AND PROPRIETARY INFORMATION AND ALL DESIGN, MANUFACTURING, REPRODUCTION, USE, PATENT RIGHTS AND SALES RIGHTS ARE EXPRESSLY RESERVED BY SAMTEC, INC. THIS DOCUMENT SHALL NOT BE DISCLOSED, IN WHOLE OR PART, TO ANY UNAUTHORIZED PERSON OR ENTITY NOR REPRODUCED, TRANSFERRED OR INCORPORATED IN ANY OTHER PROJECT IN ANY MANNER WITHOUT THE EXPRESS WRITTEN CONSENT OF SAMTEC, INC.

DO NOT SCALE DRAWING  
 SHEET SCALE: 1:0.2

**samtec**

520 PARK EAST BLVD, NEW ALBANY, IN 47150  
 PHONE: 812-944-6733 FAX: 812-948-5047  
 e-Mail: info@SAMTEC.com code 55322

DESCRIPTION:  
 0.50mm TERMINAL/SOCKET COMBO

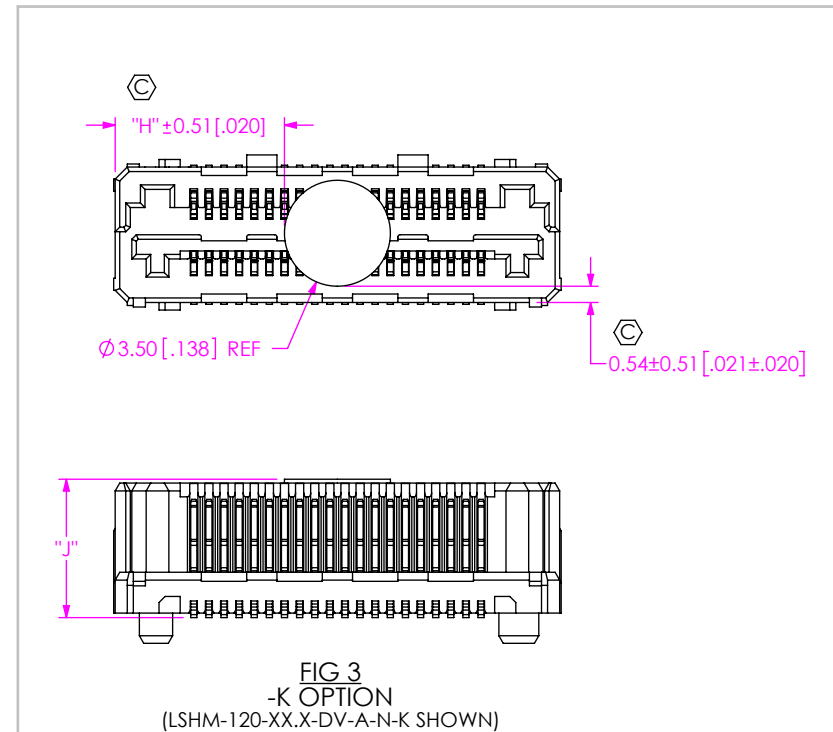
DWG. NO.  
 LSHM-1XX-XX.X-XX-DV-A-X-X-TR

BY: AGEN H 10/30/2008 SHEET 2 OF 3

STYLE	"A"	"B"	"J"
-02.5	3.95 [0.156]	1.00 [0.039]	4.10 [0.161]
-03.0	4.45 [0.175]	1.50 [0.059]	4.60 [0.181]
-04.0	5.45 [0.215]	2.50 [0.098]	5.60 [0.220]
-06.0	7.45 [0.293]	4.50 [0.177]	7.60 [0.299]

No OF POS	"C"	"D"	"E"	"G"	"H"	"K"	"L"
-05	4.40 [0.173]	7.20 [0.283]	4.50 [0.177]	7.45 [0.293]	1.85 [0.073]	7.65 [0.301]	8.30 [0.327]
-10	6.90 [0.272]	9.70 [0.382]	7.00 [0.276]	9.95 [0.392]	3.10 [0.122]	10.15 [0.400]	10.80 [0.425]
-20	11.90 [0.469]	14.70 [0.579]	12.00 [0.472]	14.95 [0.589]	5.60 [0.220]	15.15 [0.596]	15.80 [0.622]
-30	16.90 [0.665]	19.70 [0.776]	17.00 [0.669]	19.95 [0.785]	8.10 [0.319]	20.15 [0.793]	20.80 [0.819]
-40	21.90 [0.862]	24.70 [0.972]	22.00 [0.866]	24.95 [0.982]	10.60 [0.417]	25.15 [0.990]	25.80 [1.016]
-50	26.90 [1.059]	29.70 [1.169]	27.00 [1.063]	29.95 [1.179]	13.10 [0.516]	30.15 [1.187]	30.80 [1.213]

LEAD STYLE	SHIELD	BODY	CONTACT	SHIELD
-02.5	N	LSHM-XX-02.5-DV-A	C-261-01-X	N/A
-03.0	N	LSHM-XX-03.0-DV-A	C-185-01-X	N/A
-04.0	N	LSHM-XX-04.0-DV-A	C-185-03-X	N/A
-06.0	N	LSHM-XX-06.0-DV-A	C-185-02-X	N/A
-02.5	S	LSHM-XX-02.5-DV-A	C-261-01-X	SH26-XX-02.5-DV-N
-03.0	S	LSHM-XX-03.0-DV-A	C-185-01-X	SH26-XX-03.0-DV-N
-04.0	S	LSHM-XX-04.0-DV-A	C-185-03-X	SH26-XX-04.0-DV-N
-06.0	S	LSHM-XX-06.0-DV-A	C-185-02-X	SH26-XX-06.0-DV-N
-L2.5	N	LSHM-XX-02.5-DV-A	C-261-L1-X	N/A
-L3.0	N	LSHM-XX-03.0-DV-A	C-185-L1-X	N/A
-L4.0	N	LSHM-XX-04.0-DV-A	C-185-L3-X	N/A
-L6.0	N	LSHM-XX-06.0-DV-A	C-185-L2-X	N/A
-L2.5	S	LSHM-XX-02.5-DV-A	C-261-L1-X	SH26-XX-02.5-DV-N
-L3.0	S	LSHM-XX-03.0-DV-A	C-185-L1-X	SH26-XX-03.0-DV-N
-L4.0	S	LSHM-XX-04.0-DV-A	C-185-L3-X	SH26-XX-04.0-DV-N
-L6.0	S	LSHM-XX-06.0-DV-A	C-185-L2-X	SH26-XX-06.0-DV-N



**PROPRIETARY NOTE**  
THIS DOCUMENT CONTAINS CONFIDENTIAL AND PROPRIETARY INFORMATION AND ALL DESIGN, MANUFACTURING, REPRODUCTION, USE, PATENT RIGHTS AND SALES RIGHTS ARE EXPRESSLY RESERVED BY SAMTEC, INC. THIS DOCUMENT SHALL NOT BE DISCLOSED, IN WHOLE OR PART, TO ANY UNAUTHORIZED PERSON OR ENTITY NOR REPRODUCED, TRANSFERRED OR INCORPORATED IN ANY OTHER PROJECT IN ANY MANNER WITHOUT THE EXPRESS WRITTEN CONSENT OF SAMTEC, INC.



520 PARK EAST BLVD., NEW ALBANY, IN 47150  
PHONE: 812-944-6733 FAX: 812-948-5047  
e-Mail: info@SAMTEC.com code 55322

DO NOT SCALE DRAWING  
SHEET SCALE: 5:1

DESCRIPTION:  
0.50mm TERMINAL/SOCKET COMBO

DWG. NO.  
LSHM-1XX-XX.X-XX-DV-A-X-X-TR

BY: AGEN H 10/30/2008 SHEET 3 OF 3