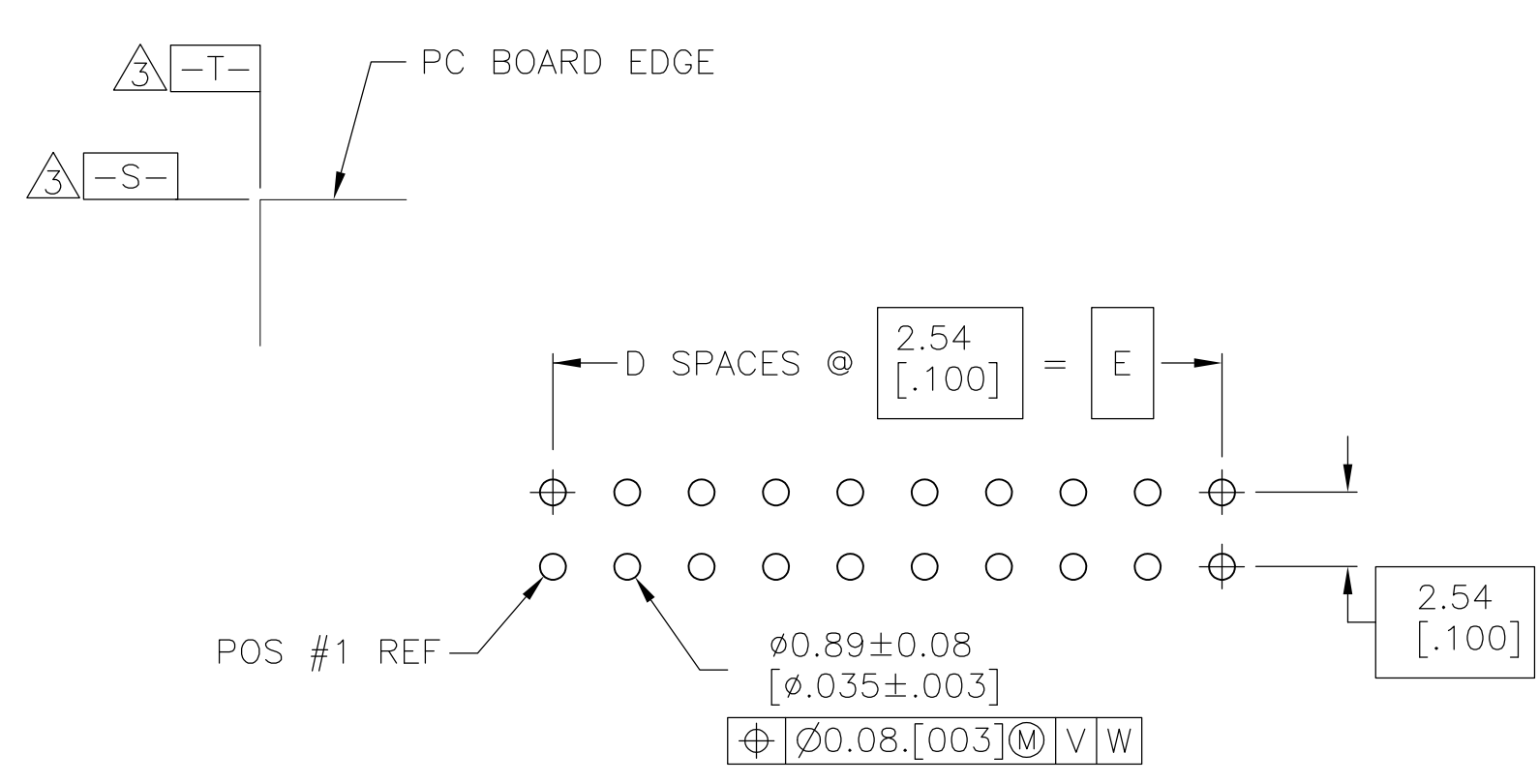
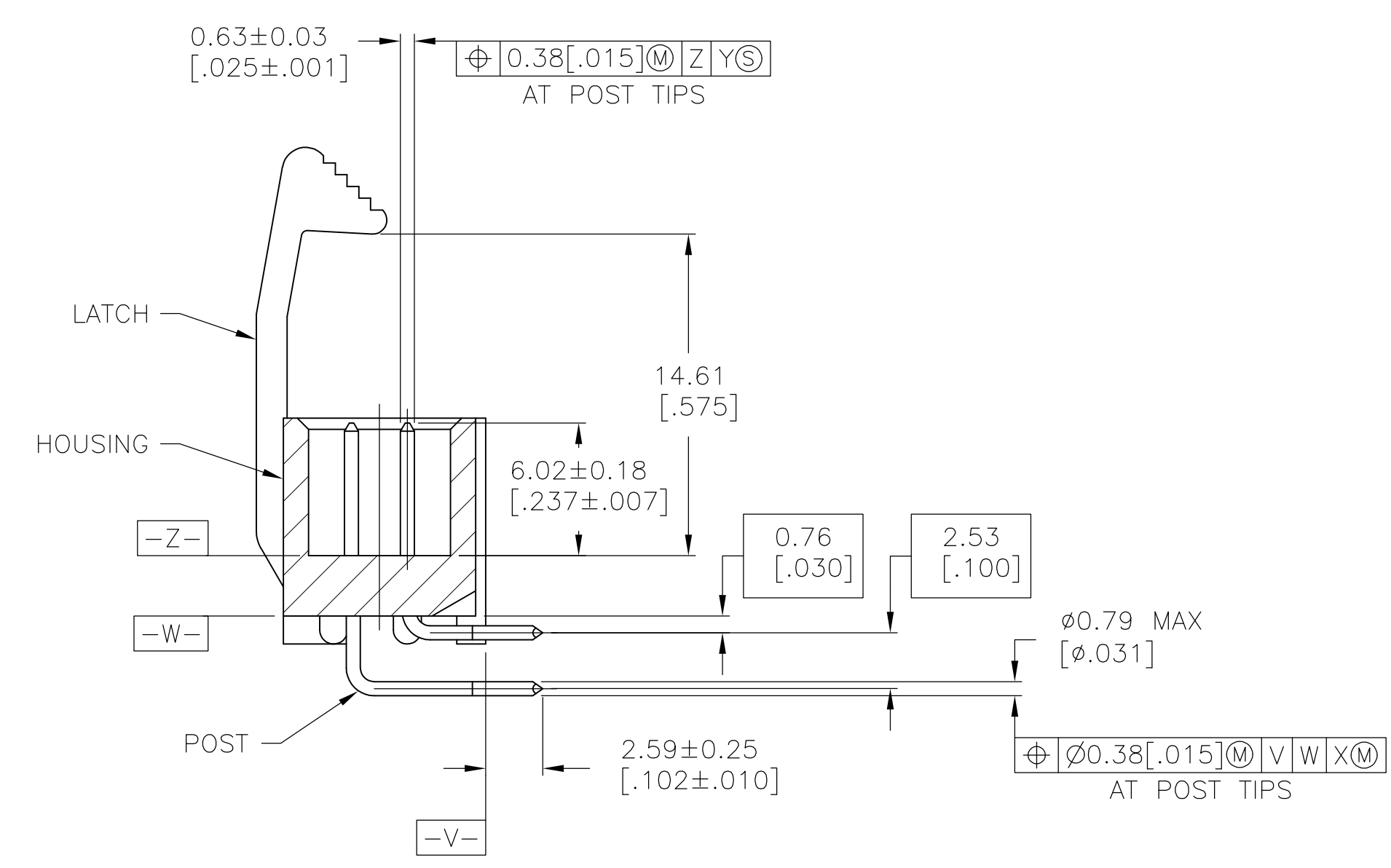
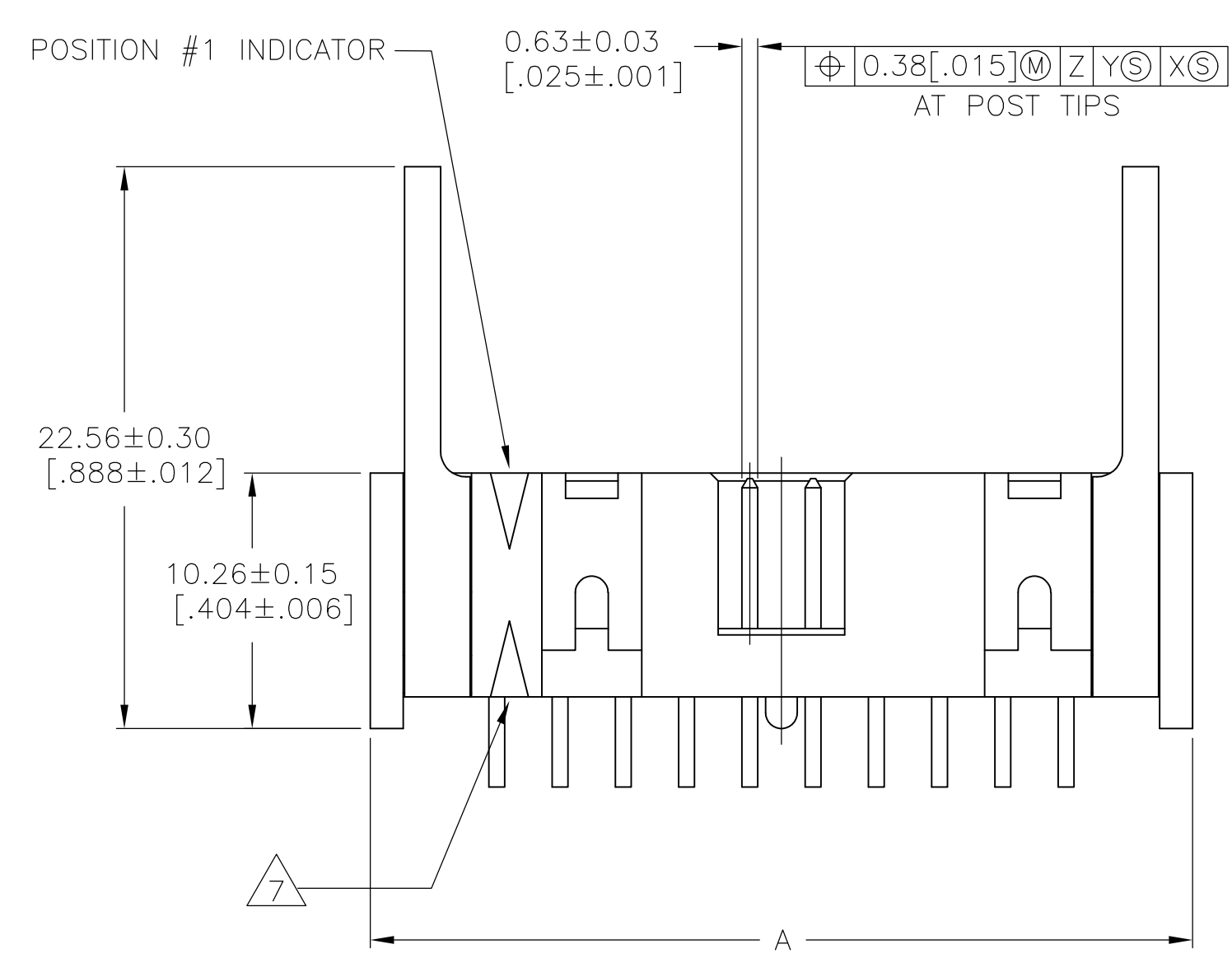
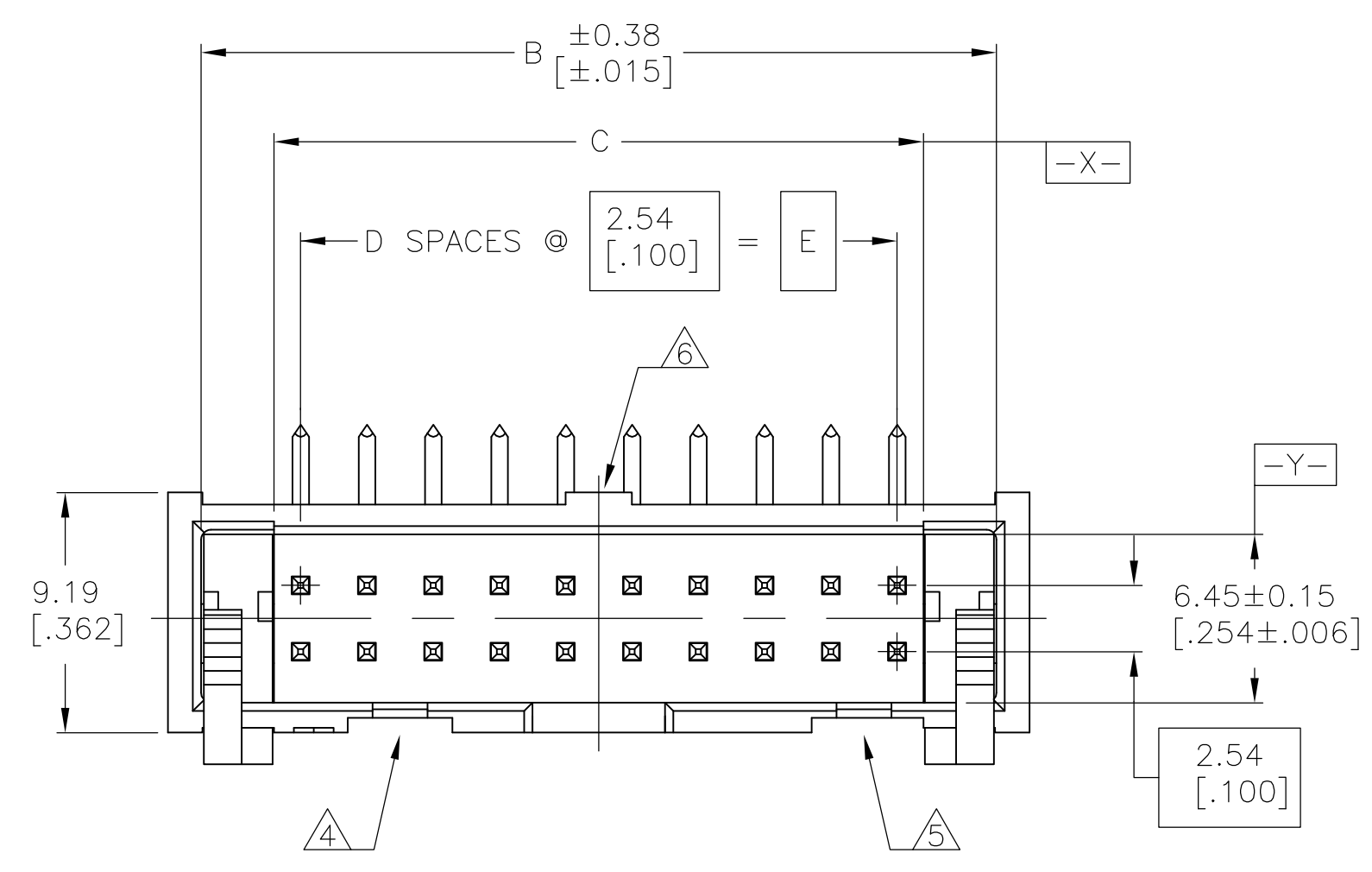


LOC		DIST		REVISIONS				
GP	00	P	LTR	DESCRIPTION	DATE	DN	APVD	
G1				REVISED PER ECO-11-004835	11MAR11	RK	HMR	



RECOMMENDED PC BOARD LAYOUT
(VIEWED FROM CONNECTOR SIDE)

- △ HOUSING: PBT, UL94V-0, COLOR (SEE TABLE).
POSTS: PHOSPHOR BRONZE.
LATCHES: ZINC ALLOY.
- △ POSTS: GOLD FLASH OVER PALLADIUM-NICKEL PLATE, 0.76µm[.000030] MIN TOTAL ON MATING AREA, 2.54µm[.000100] MIN TIN PLATE ON SOLDER-TAIL, ALL OVER 1.27µm[.000050] MIN NICKEL UNDERPLATE ON ENTIRE POST.
OR
0.76µm[.000030] MIN GOLD PLATE ON MATING AREA, 2.54µm[.000100] MIN TIN PLATE ON THE SOLDER-TAIL, 1.27µm[.000050] MIN NICKEL UNDERPLATE ON THE ENTIRE POST.
LATCHES: BLACK NICKEL OVER COPPER.
- △ DATUMS S & T TO BE ESTABLISHED BY CUSTOMER.
- △ NO KEYING SLOT ON THIS END FOR 6, 8, 10 & 14 POSITION ASSEMBLIES.
- △ NO KEYING SLOT ON THIS END FOR 6, 8 & 10 POSITION ASSEMBLIES.
- △ NO STANDOFF FOR 6, 8, 10, 14 & 16 POSITION ASSEMBLIES.
- △ ALTERNATE LOCATION/ORIENTATON FOR POSITION #1 INDICATOR.

BLUE	78.74 [3.100]	31	80.77 [3.180]	86.26 [3.396]	88.90 [3.500]	64	3-1761607-7
BLUE	73.66 [2.900]	29	75.69 [2.980]	81.18 [3.196]	83.82 [3.300]	60	3-1761607-6
BLUE	60.96 [2.400]	24	62.99 [2.480]	68.48 [2.696]	71.12 [2.800]	50	3-1761607-5
BLUE	48.26 [1.900]	19	50.29 [1.980]	55.78 [2.196]	58.42 [2.300]	40	3-1761607-3
BLUE	40.64 [1.600]	16	42.67 [1.680]	48.16 [1.896]	50.80 [2.000]	34	3-1761607-1
OBSELETE	35.56 [1.400]	14	37.59 [1.480]	43.08 [1.696]	45.72 [1.800]	30	3-1761607-0
BLUE	30.48 [1.200]	12	32.51 [1.280]	38.00 [1.496]	40.64 [1.600]	26	2-1761607-9
BLUE	27.94 [1.100]	11	29.97 [1.180]	35.46 [1.396]	38.10 [1.500]	24	2-1761607-8
BLUE	22.86 [.900]	9	24.89 [.980]	30.38 [1.196]	33.02 [1.300]	20	2-1761607-7
BLUE	17.78 [.700]	7	19.81 [.780]	25.30 [.996]	27.94 [1.100]	16	2-1761607-6
BLUE	15.24 [.600]	6	17.27 [.680]	22.76 [.896]	25.40 [1.000]	14	2-1761607-5
BLUE	10.16 [.400]	4	12.19 [.480]	17.68 [.696]	20.32 [.800]	10	2-1761607-3
BLUE	7.62 [.300]	3	9.65 [.380]	15.14 [.596]	17.78 [.700]	8	2-1761607-2
BLUE	5.08 [.200]	2	7.11 [.280]	12.60 [.496]	15.24 [.600]	6	2-1761607-1
BLACK	73.66 [2.900]	29	75.69 [2.980]	81.18 [3.196]	83.82 [3.300]	60	1-1761607-6
BLACK	60.96 [2.400]	24	62.99 [2.480]	68.48 [2.696]	71.12 [2.800]	50	1-1761607-5
BLACK	48.26 [1.900]	19	50.29 [1.980]	55.78 [2.196]	58.42 [2.300]	40	1-1761607-3
BLACK	40.64 [1.600]	16	42.67 [1.680]	48.16 [1.896]	50.80 [2.000]	34	1-1761607-1
BLACK	30.48 [1.200]	12	32.51 [1.280]	38.00 [1.496]	40.64 [1.600]	26	1761607-9
BLACK	22.86 [.900]	9	24.89 [.980]	30.38 [1.196]	33.02 [1.300]	20	1761607-7
BLACK	17.78 [.700]	7	19.81 [.780]	25.30 [.996]	27.94 [1.100]	16	1761607-6
BLACK	15.24 [.600]	6	17.27 [.680]	22.76 [.896]	25.40 [1.000]	14	1761607-5
BLACK	10.16 [.400]	4	12.19 [.480]	17.68 [.696]	20.32 [.800]	10	1761607-3
HOUSING COLOR	E	D	C	B	A	NO OF POS	PART NUMBER

THIS DRAWING IS A CONTROLLED DOCUMENT.

DIMENSIONS: mm [INCHES]	TOLERANCES UNLESS OTHERWISE SPECIFIED:	0 PLC ± -	1 PLC ± -	2 PLC ± -	3 PLC ± 0.13[.005]	4 PLC ± -	ANGLES ± -
-------------------------	--	-----------	-----------	-----------	--------------------	-----------	------------

MATERIAL: △ FINISH: △

DESIGNED BY: J. GERACE	DATE: 15FEB05	 TE Connectivity
CHK: S. BOLASH	15FEB05	
APPROVED BY: M. WALMSLEY	DATE: 15FEB05	NAME: HEADER ASSEMBLY, RIGHT ANGLE, LONG EJECT LATCH, LOW PROFILE, IDC
PRODUCT SPEC: -	APPLICATION SPEC: -	SIZE: A1
WEIGHT: -	CAGE CODE: 00779	DRAWING NO: 1761607
CUSTOMER DRAWING	SCALE: 4:1	SHEET 1 OF 1

Mouser Electronics

Authorized Distributor

Click to View Pricing, Inventory, Delivery & Lifecycle Information:

[TE Connectivity:](#)

[3-1761607-3](#)