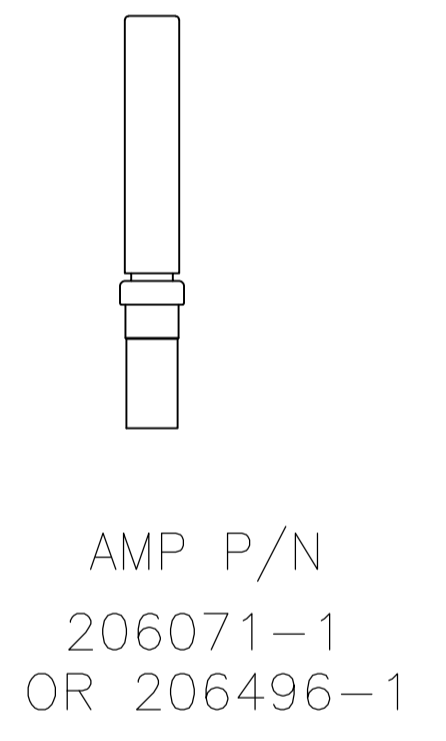
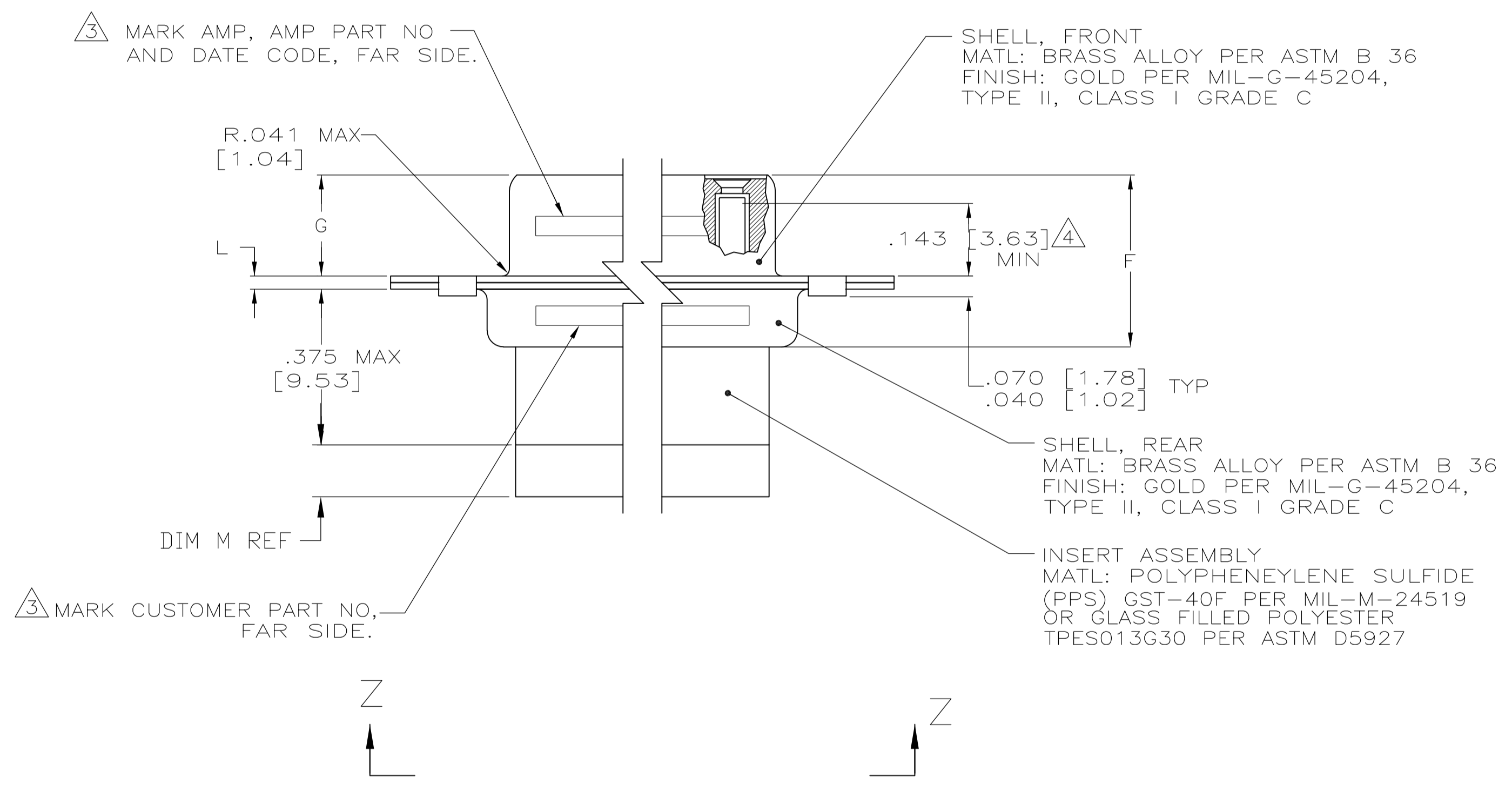
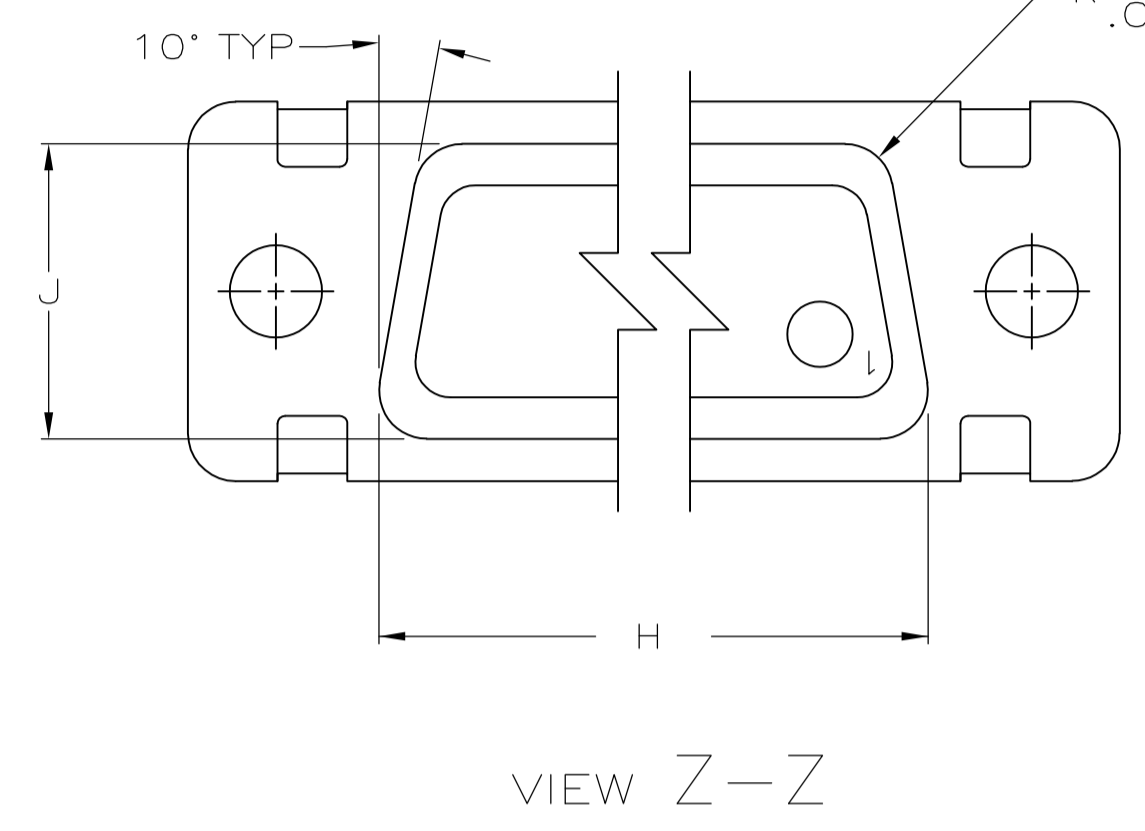
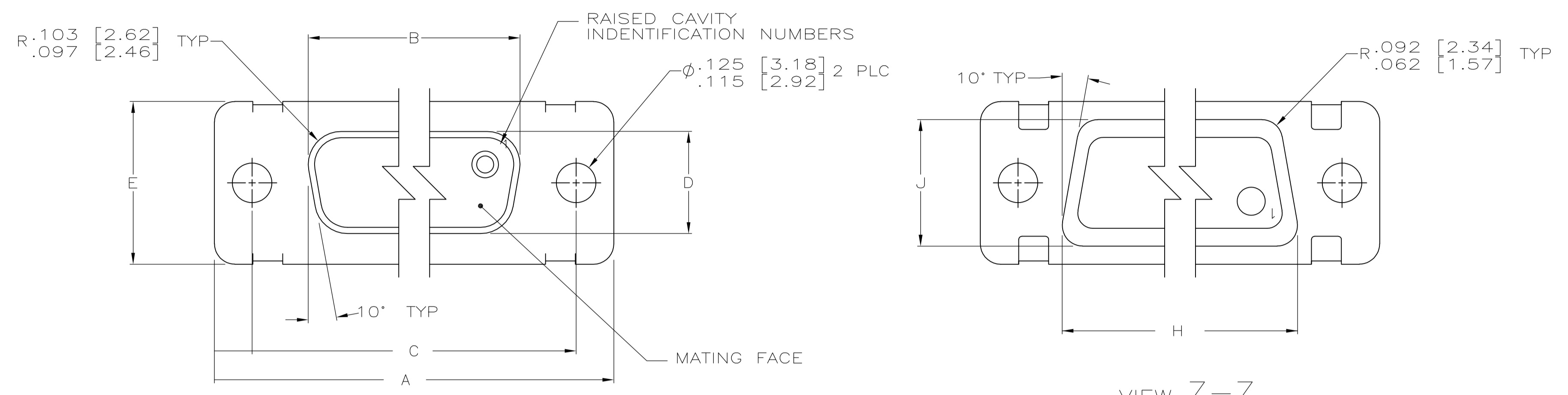


LOC		DIST		REVISIONS			
P	LTR	DESCRIPTION	DATE	DN	APVD		
H		REV PER ECO 10-025239	16DEC10	PY	RL		



1. THIS CONNECTOR ASSEMBLY IS SUPPLIED WITH METAL CONTACT RETENTION CLIPS INSTALLED IN THE INSERT ASSEMBLY.
2. THIS CONNECTOR ASSEMBLY MEETS THE REQUIREMENTS OF MIL-C-24308 AND MATES WITH ANY PLUG CONNECTOR WITH SAME INSERT ARRANGEMENT.
3. MARK WITH .047 [1.19]-.062 [1.57] HIGH CHARACTERS. FAR SIDE REFERS TO THE WIDE SIDE OF THE KEYSTONE. IF THE REAR SHELL IS TOO SMALL FOR THE ENTIRE CUSTOMER PART NUMBER, MARKING MAY BE LOCATED AS FOLLOWS:
  - A. CUSTOMER BASE NUMBER, FRONT SHELL, FAR SIDE.
  - B. CUSTOMER DASH NUMBER, REAR SHELL, FAR SIDE.
  - C. AMP PART NUMBER, REAR SHELL, NEAR SIDE.
  - D. "AMP" AND DATE CODE, FRONT SHELL, NEAR SIDE.
4. POINT OF ELECTRICAL ENGAGEMENT - AS MEASURED WITH A .0295 [0.75] - .0305 [.77] DIAMETER SQUARE ENDED TEST PIN. CONTACT SHOWN INSTALLED FOR DIMENSIONAL REFERENCE ONLY.
5. MAXIMUM WIRE INSULATION TO BE USED WITH THIS CONNECTOR ASSEMBLY IS .072 [1.83] DIAMETER.
6. FOR CONTACT CRIMPING INSTRUCTION SHEET REFER TO AMP IS 7516. FOR CONTACT INSTALLATION AND REMOVAL INSTRUCTION SHEET REFER TO AMP IS 7508.
7. DIMENSIONS AND TOLERANCES PER ANSI Y14.5M-1982.
8. THIS DRAWING SHALL BE INTERPRETED IN ACCORDANCE WITH APPLICABLE STANDARDS LISTED IN MIL-STD-100.

THIS DRAWING IS A CONTROLLED DOCUMENT.		DIN T. THOMPSON 05-18-94		Tyco Electronics Corporation Harrisburg, PA 17105-3608																											
DIMENSIONS: INCHES		TOLERANCES UNLESS OTHERWISE SPECIFIED:		NAME D. MANTIONE																											
<table border="1"> <tr><td>0 PLC</td><td>±</td><td>-</td></tr> <tr><td>1 PLC</td><td>±</td><td>-</td></tr> <tr><td>2 PLC</td><td>±</td><td>-</td></tr> <tr><td>3 PLC</td><td>±</td><td>-</td></tr> <tr><td>4 PLC</td><td>±</td><td>-</td></tr> <tr><td>ANGLES</td><td>±</td><td>±</td></tr> </table>		0 PLC	±	-	1 PLC	±	-	2 PLC	±	-	3 PLC	±	-	4 PLC	±	-	ANGLES	±	±	<table border="1"> <tr><td>PRODUCT SPEC</td><td>AMP</td></tr> <tr><td>APPLICATION SPEC</td><td>MIL-C-24308</td></tr> </table>		PRODUCT SPEC	AMP	APPLICATION SPEC	MIL-C-24308	<table border="1"> <tr><td>SIZE</td><td>A1</td></tr> <tr><td>SCALE</td><td>4:1</td></tr> </table>		SIZE	A1	SCALE	4:1
0 PLC	±	-																													
1 PLC	±	-																													
2 PLC	±	-																													
3 PLC	±	-																													
4 PLC	±	-																													
ANGLES	±	±																													
PRODUCT SPEC	AMP																														
APPLICATION SPEC	MIL-C-24308																														
SIZE	A1																														
SCALE	4:1																														
MATERIAL SEE CALLOUTS		FINISH SEE CALLOUTS		<table border="1"> <tr><td>WEIGHT</td><td>-</td></tr> <tr><td>DRAWING NO</td><td>00779</td></tr> <tr><td>REV</td><td>C=449862</td></tr> </table>		WEIGHT	-	DRAWING NO	00779	REV	C=449862																				
WEIGHT	-																														
DRAWING NO	00779																														
REV	C=449862																														
CUSTOMER DRAWING				SHEET 1 OF 2 REV H																											



# Mouser Electronics

Authorized Distributor

Click to View Pricing, Inventory, Delivery & Lifecycle Information:

[TE Connectivity:](#)

[449862-6](#)