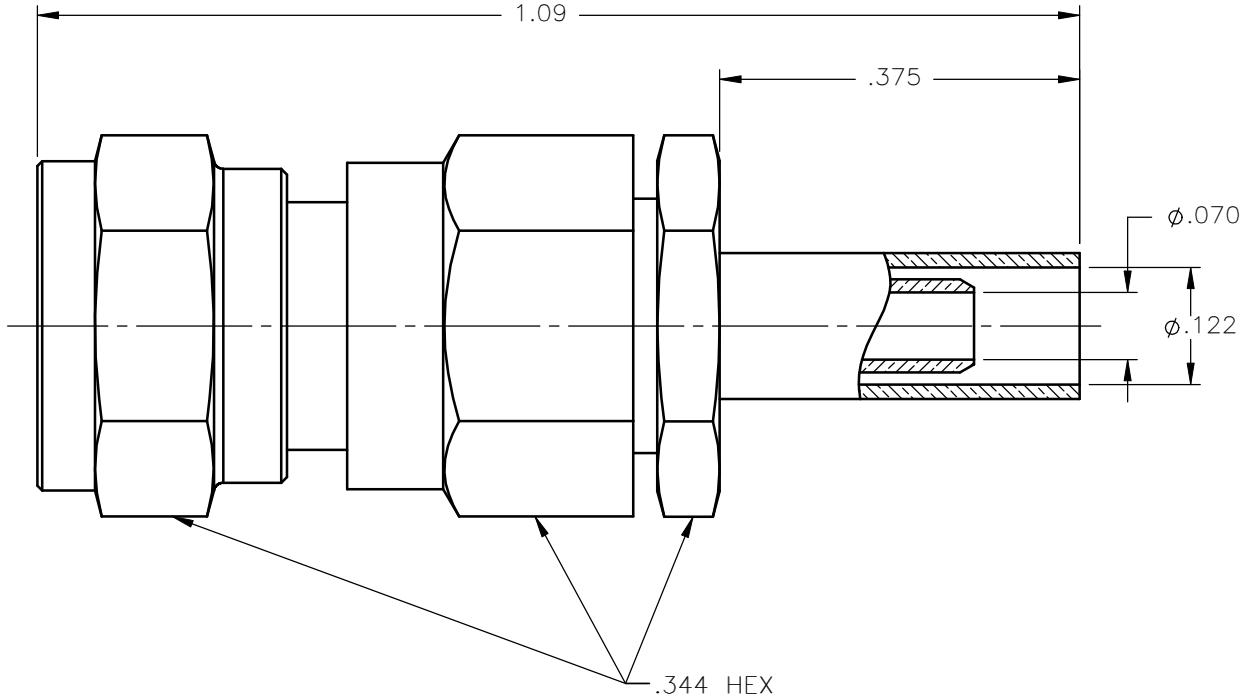
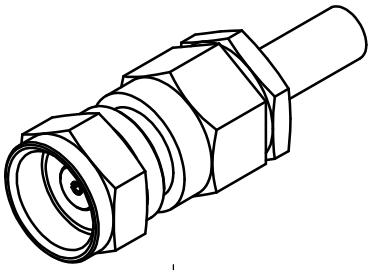


REVISIONS			
REV.	DESCRIPTION	DATE	APPROVED
A	ECO #7713	09/17/09	A.D.M.



NOTES:

MATERIALS:


1. INSULATORS = VIRGIN WHITE TEFLON PER ASTM D1710, GRADE 1, TYPE I, CLASS "B".
2. CONTACT = BERYLLIUM COPPER PER ASTM B196, ALLOY C17300, TEMPER TD04.
3. CRIMP SLEEVE = SEAMLESS LOWLEAD BRASS TUBE, ALLOY 330, SOFT ANNEAL TEMPER, .025/.060 GRAIN SIZE OR SEAMLESS COPPER TUBE PER ASTM B75, TYPE C12000, TEMPER: LIGHT ANNEAL O50 EXCEPT YIELD STRENGTH.
4. ALL OTHER METAL PARTS = BRASS PER ASTM B16, ALLOY C36000, TEMPER H02.

FINISHES:

1. CONTACT = GOLD PLATE PER MIL-G-45204, TYPE II, CLASS 1, GRADE C, OVER .00010 TO .00020 STRESS FREE SULFAMATE NICKEL PER QQ-N-290.
2. ALL OTHER METAL PARTS = GOLD PLATE PER MIL-G-45204, TYPE II, CLASS 0, GRADE C, OVER .00010 TO .00020 COPPER STRIKE PER MIL-C-14550.

Property of Radiall Incorporated  
 This document cannot be reproduced or  
 communicated to a third party without prior  
 written permission of RADIALL Incorporated.

1702-1571-003

UNLESS OTHERWISE SPECIFIED DIMENSIONS ARE IN INCHES TOLERANCES ON	DWN: DATE A.D.M. 09/17/09	 <b>APPLIED ENGINEERING PRODUCTS</b> 104 John W. Murphy Dr. New Haven, CT 06513 <b>a RADIALL company</b>	<b>75 OHM STRAIGHT SCREW-ON          FEMALE PLUG CRIMP TYPE          FOR RG-316 &amp; SIMILAR CABLES</b>		REV A			
	CHKD: DATE D.N. 09/17/09							
DECIMAL	ANGLE	APVD: DATE J.M. 09/17/09	SIZE		FSCM NO.	DWG NO.	THIRD ANGLE PROJECTION	SHEET 1 OF 1
REFERENCE:	MATERIALS & FINISHES: SEE NOTES	A	19505	1702-1571-003		SCALE 5:1		
ORIGINATED: D.N. DATE: 01/30/96								

# Mouser Electronics

Authorized Distributor

Click to View Pricing, Inventory, Delivery & Lifecycle Information:

Radial:

[1702-1571-003](#) [1702-1551-007](#) [1715-1521-007](#)