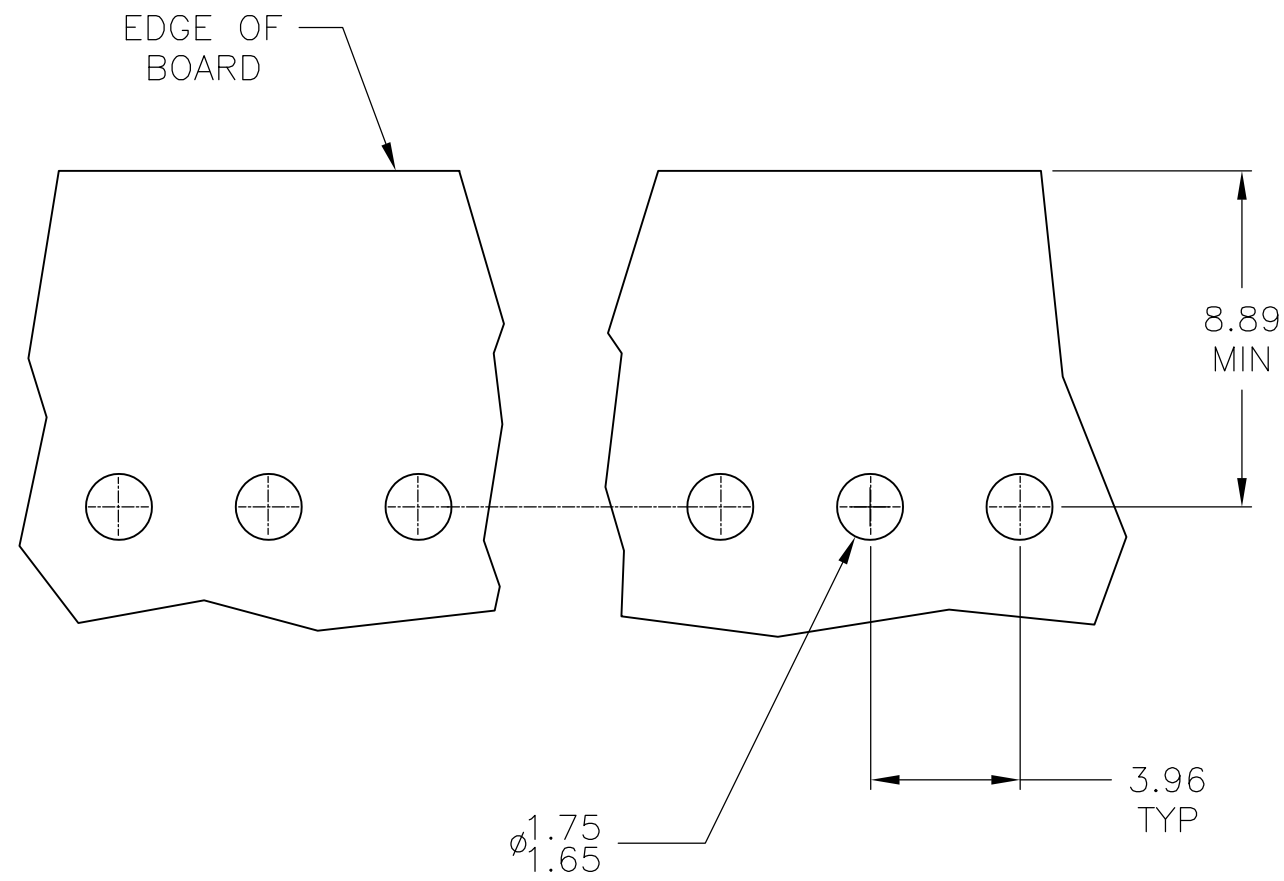
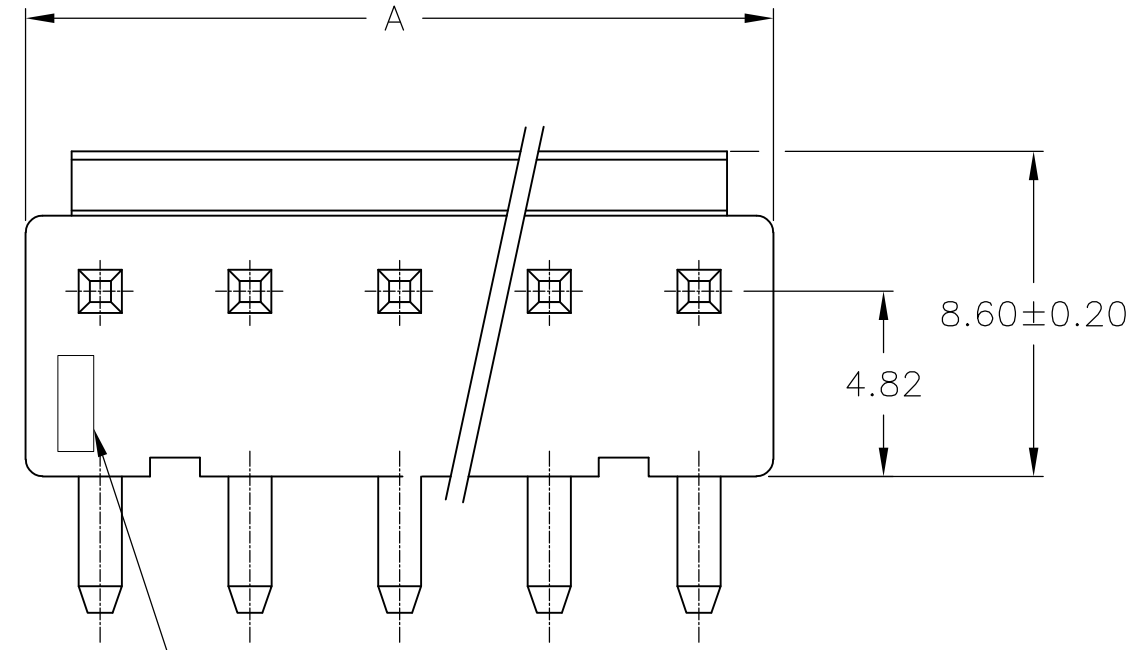
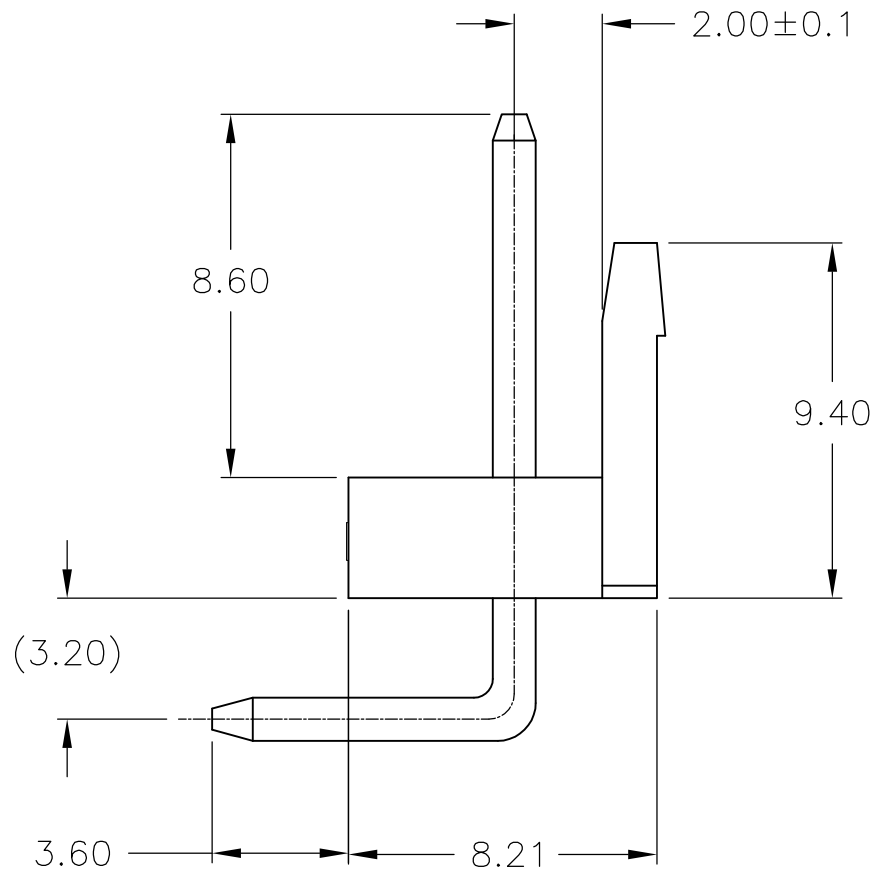
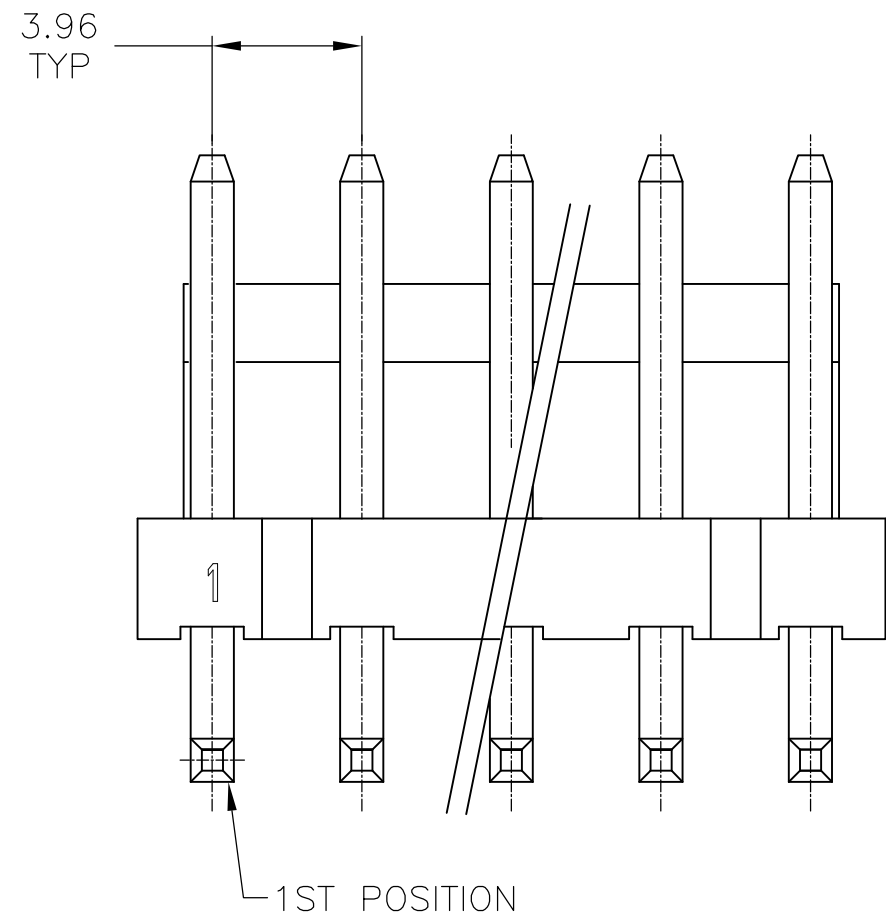


THIS DRAWING IS UNPUBLISHED. RELEASED FOR PUBLICATION  
 © COPYRIGHT - By - ALL RIGHTS RESERVED.

REVISIONS				
P	LTR	DESCRIPTION	DATE	APVD
B1		REVISED PER ECR-16-017535	19JAN17	O.C D.Z



- 1 MATERIAL :  
HOUSING : THERMOPLASTIC Nylon66UL94V-0.  
WHITE COLOR.  
CONTACT : BRASS.
- 2 FINISH:  
CONTACT : 80u" MIN. TIN PLATED ON  
CONTACT AREA.



47.52	12	1-647676-2
43.56	11	1-647676-1
39.60	10	1-647676-0
35.64	9	647676-9
31.68	8	647676-8
27.72	7	647676-7
23.76	6	647676-6
19.80	5	647676-5
15.84	4	647676-4
11.88	3	647676-3
7.92	2	647676-2
DIM. A		CIRCUITS
DIM. A		PART NUMBER

THIS DRAWING IS A CONTROLLED DOCUMENT.		DWN K. WHITAKER 22JUL04	<b>TE</b> TE Connectivity	
DIMENSIONS: mm		CHK D. BOSSI 22JUL04		
TOLERANCES UNLESS OTHERWISE SPECIFIED:		APVD D. BOSSI 22JUL04	NAME ASSEMBLY, EP HEADER, RIGHT ANGLE	
0 PLC ± 0.3		PRODUCT SPEC	SIZE	
1 PLC ± 0.25		APPLICATION SPEC	CAGE CODE	DRAWING NO
2 PLC ± 0.12			00779	C-647676
3 PLC ± 0.05			SCALE	SHEET
4 PLC ± -			5:1	1 of 1
ANGLES ± 3'0"		WEIGHT	0.000000	REV
FINISH		CUSTOMER DRAWING	B1	

# Mouser Electronics

Authorized Distributor

Click to View Pricing, Inventory, Delivery & Lifecycle Information:

[TE Connectivity:](#)

[1-647676-1](#)