



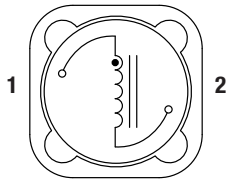
FEATURES

- RoHS compliant
- 1.0μH to 1.0mH
- Up to 10A I_{bc}
- Bobbin format
- Surface mount
- Integral EMI shield
- Compact size
- Tape and reel packaging
- UL 94V-0 materials
- J-STD-020-C reflow

DESCRIPTION

The 4800S series is a range of bobbin-wound, surface-mount inductors designed for use in switching power supply, and power line filter circuits. The parts are suitable for any application requiring a high saturation current in a low-profile package. The devices have an integral ferrite shield to reduce EMI.

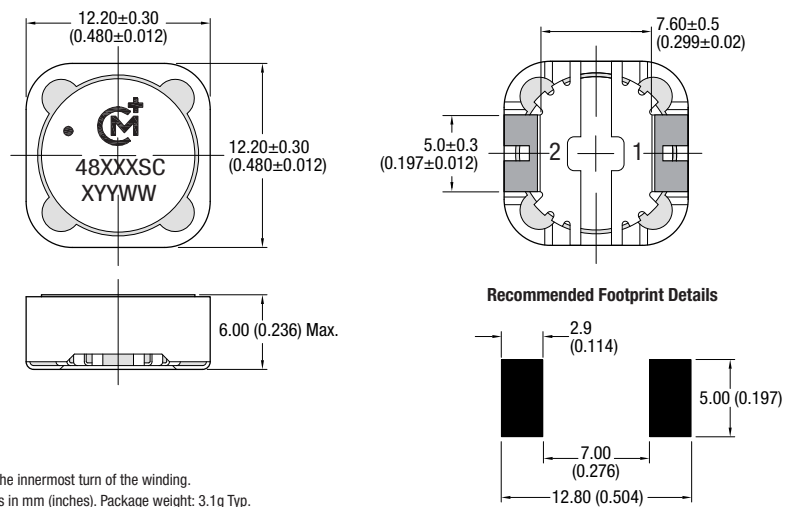
PIN CONNECTIONS (TOP VIEW)



SELECTION GUIDE

| Order Code | Inductance (10kHz, 100mV _{AC}) ±20% | DC Current ¹ | DC Resistance | SRF | Q Factor | |
|------------|---|-------------------------|---------------|------|----------|-----------|
| | Nom. | Max. | Max. | Typ. | Typ. | |
| | μH | A | mΩ | MHz | Q | @ f (MHz) |
| 481R0SC | 1.0 (±30%) | 10.0 | 6 | 83 | 35 | 1 |
| 482R2SC | 2.2 (±30%) | 8.2 | 10 | 48 | 36 | 1 |
| 483R3SC | 3.3 (±30%) | 7.3 | 12 | 39 | 34 | 1 |
| 484R7SC | 4.7 (±30%) | 6.3 | 16 | 28 | 34 | 1 |
| 486R8SC | 6.8 (±30%) | 5.1 | 21 | 26 | 34 | 1 |
| 48100SC | 10 | 4.5 | 28 | 20 | 32 | 1 |
| 48150SC | 15 | 3.7 | 40 | 17 | 31 | 1 |
| 48220SC | 22 | 3.1 | 53 | 13 | 31 | 1 |
| 48330SC | 33 | 2.8 | 73 | 11 | 31 | 1 |
| 48470SC | 47 | 2.4 | 100 | 10 | 32 | 1 |
| 48680SC | 68 | 1.8 | 145 | 9 | 33 | 1 |
| 48101SC | 100 | 1.6 | 200 | 7 | 20 | 0.8 |
| 48151SC | 150 | 1.35 | 280 | 6 | 23 | 0.8 |
| 48221SC | 220 | 1.00 | 430 | 5 | 23 | 0.8 |
| 48331SC | 330 | 0.85 | 630 | 5 | 22 | 0.8 |
| 48471SC | 470 | 0.76 | 900 | 4 | 20 | 0.8 |
| 48681SC | 680 | 0.66 | 1250 | 4 | 18 | 0.8 |
| 48102SC | 1000 | 0.52 | 1850 | 4 | 17 | 0.8 |

MECHANICAL DIMENSIONS



ABSOLUTE MAXIMUM RATINGS

| | |
|--------------------------------------|----------------|
| Operating free air temperature range | -40°C to 85°C |
| Storage temperature range | -40°C to 125°C |

SOLDERING INFORMATION²

| | |
|--------------------------------|-------|
| Peak reflow solder temperature | 245°C |
| Pin finish | Tin |

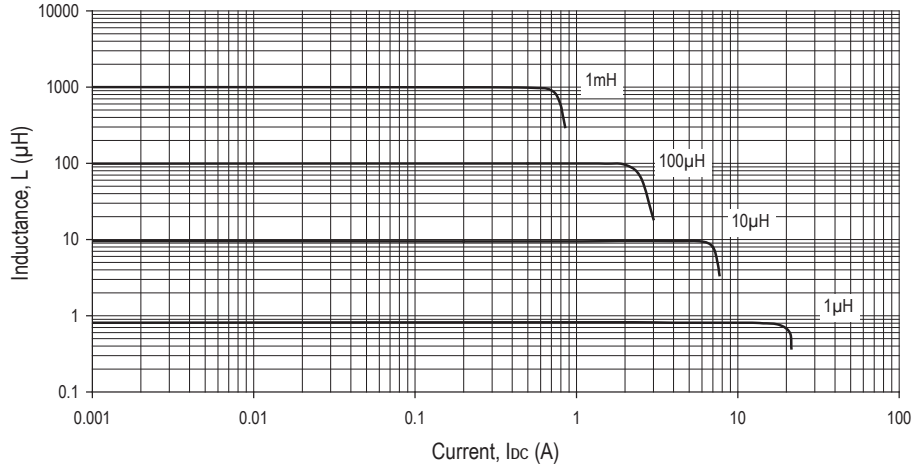
Specifications typical at T_a = 25°C

- Maximum DC current occurs when either the inductance falls to 75% of its nominal value or when its temperature rise reaches 40°C, whichever is sooner.
- For further information, please visit www.murata-ps.com/rohs

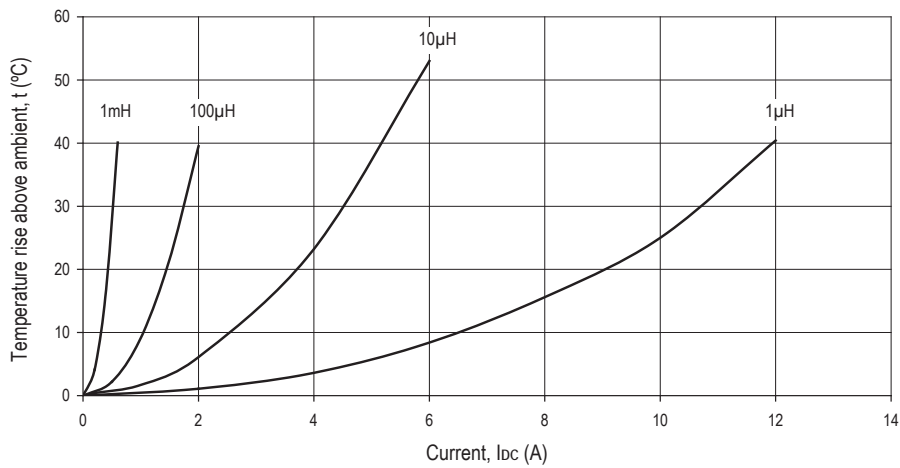


For full details go to
www.murata-ps.com/rohs

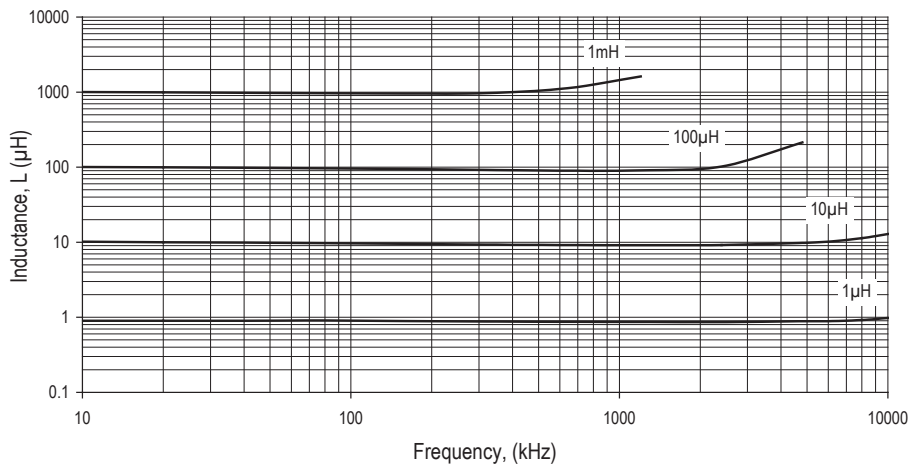
INDUCTANCE Vs CURRENT



TEMPERATURE Vs CURRENT

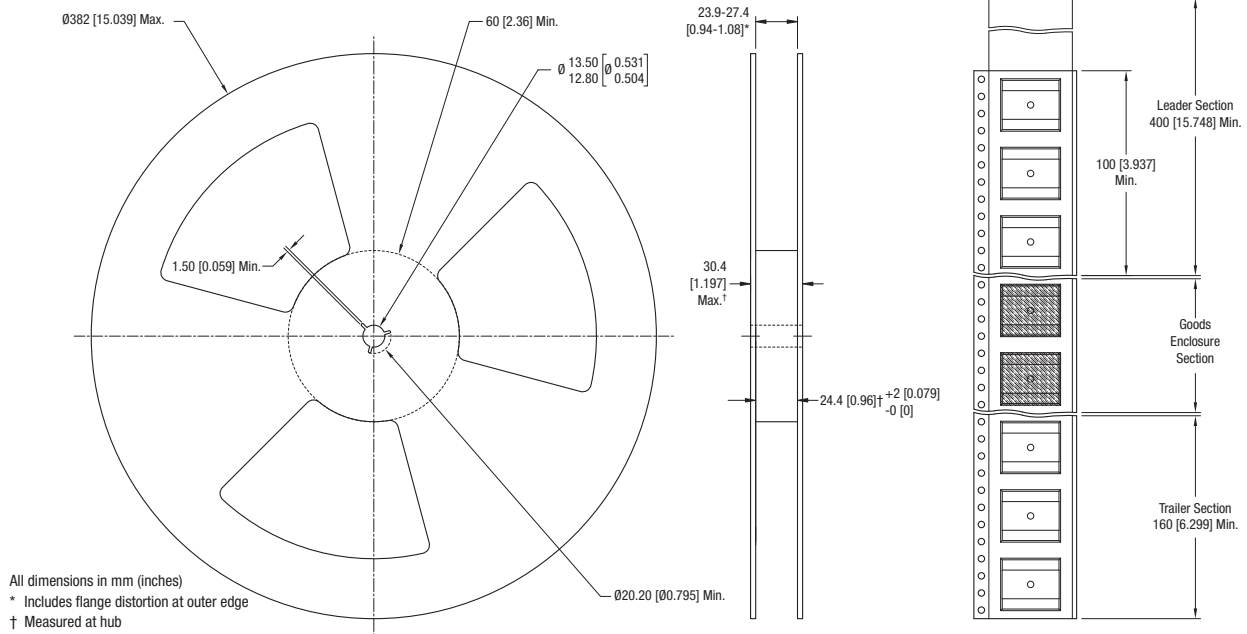


INDUCTANCE Vs FREQUENCY

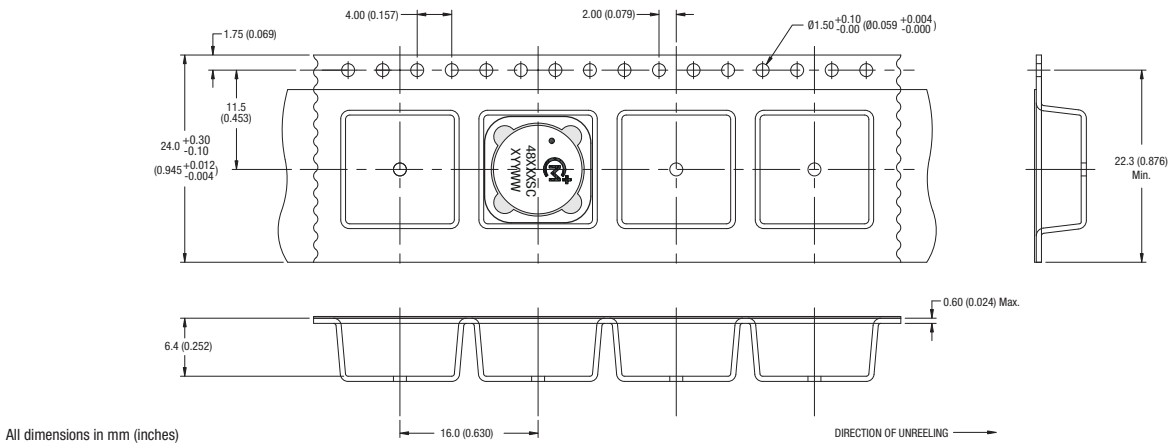


TAPE & REEL SPECIFICATIONS

REEL OUTLINE DIMENSIONS



TAPE OUTLINE DIMENSIONS



This product is subject to the following **operating requirements** and the **Life and Safety Critical Application Sales Policy**:

Refer to: <http://www.murata-ps.com/requirements/>

Murata Power Solutions, Inc. makes no representation that the use of its products in the circuits described herein, or the use of other technical information contained herein, will not infringe upon existing or future patent rights. The descriptions contained herein do not imply the granting of licenses to make, use, or sell equipment constructed in accordance therewith. Specifications are subject to change without notice. © 2018 Murata Power Solutions, Inc.

Mouser Electronics

Authorized Distributor

Click to View Pricing, Inventory, Delivery & Lifecycle Information:

Murata:

[482R2SC](#) [48221SC](#) [48151SC](#) [48470SC](#) [484R7SC](#) [483R3SC](#) [48100SC](#) [48220SC](#) [48331SC](#) [48680SC](#) [48102SC](#)
[48681SC](#) [48330SC](#) [481R0SC](#) [486R8SC](#) [48471SC](#) [48150SC](#) [48101SC](#)