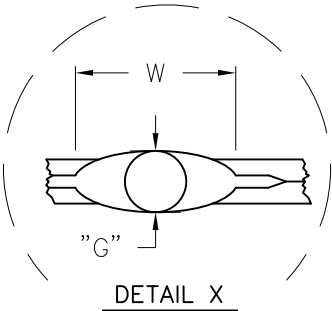
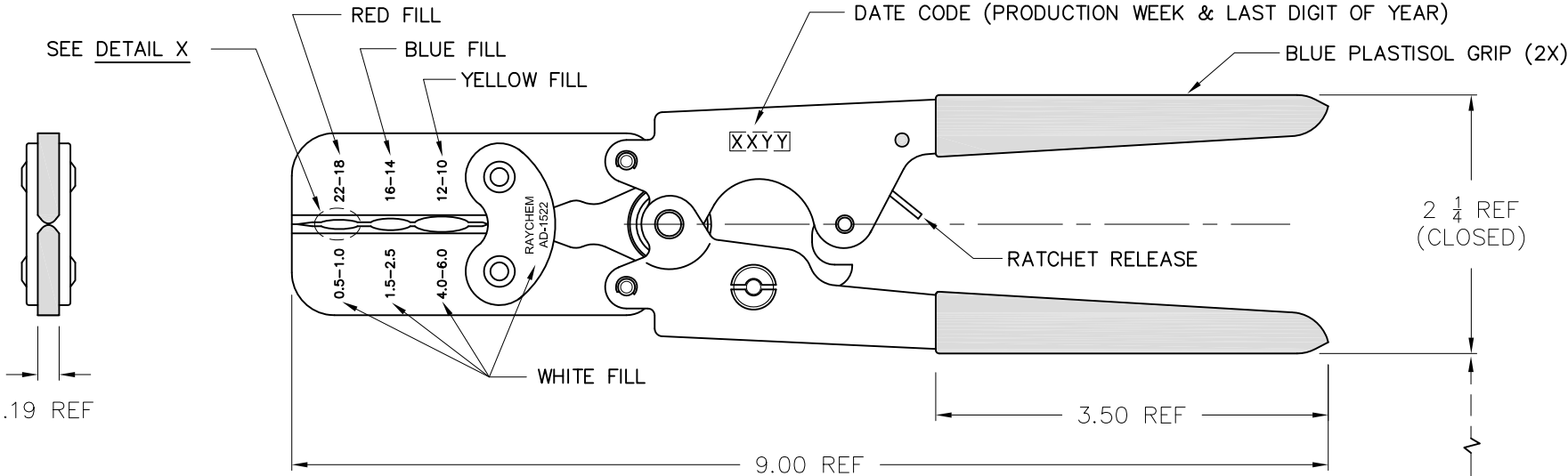


REVISIONS		
LTR	DESCRIPTION	DATE
B	REVISED PER ECO-11-025527	21DEC11



NOTES:

- △1. GAGE NEST DIMENSION "G" WITH HANDLES CLOSED TO RATCHET STOP POSITION.
2. RATCHET CONTROLLED RELEASE HANDLE LOAD OF 35 - 45 LBS IS REQUIRED TO RELEASE RATCHET WHEN APPLIED APPROXIMATELY 1.75 INCHES FROM END OF HANDLES.

NEST COLOR & AWG	"G" DIMENSION △1	W
RED (22-18)	.094/.090	.25
BLUE (16-14)	.1095/.1045	.31
YELLOW (12-10)	.151/.145	.38

IF THIS DOCUMENT IS PRINTED IT BECOMES UNCONTROLLED. CHECK FOR THE LATEST REVISION.

DRAWN	RPN
UNGUYEN	047011-000

TE CONNECTIVITY RESERVES THE RIGHT TO AMEND THIS DRAWING AT ANY TIME. USERS SHOULD EVALUATE THE SUITABILITY OF THE PRODUCT FOR THEIR APPLICATION.

UNLESS OTHERWISE SPECIFIED DIMENSIONS ARE INCHES. METRIC DIMENSIONS ARE IN BRACKETS.
 DECIMAL TOLERANCES
 .XXX ± 0.005 [0.13 mm]
 .XX ± 0.01 [0.25 mm]
 .X ± 0.1 [0.50 mm]
 ANGLE TOLERANCE
 .X ± 1 DEG.

THIRD ANGLE PROJECTION

STE TE Connectivity Raychem Devices
 305 Constitution Dr
 Merlo Park, CA 94025

TITLE
AD-1522-1 CRIMPING TOOL

SIZE B CODE IDENT. NO. 06090 DWG. NO. AD-1522-1

DO NOT SCALE THIS DRAWING SHEET 1 OF 1

Mouser Electronics

Authorized Distributor

Click to View Pricing, Inventory, Delivery & Lifecycle Information:

[TE Connectivity:](#)

[047011-000](#)