

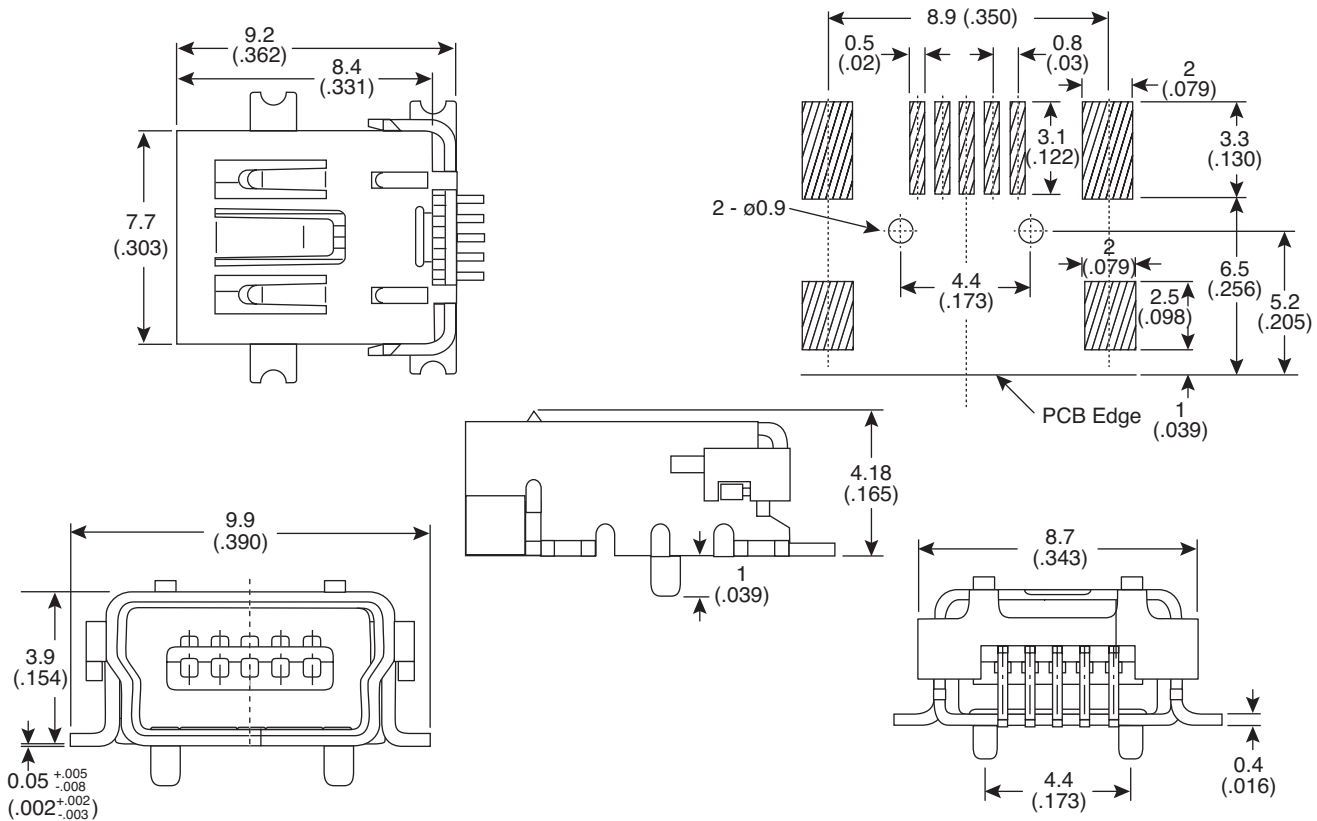
Mini USB B Type Connector

154-4101



Mini USB B Type Connector

DIMENSIONS: mm (In.)



ELECTRICAL SPECIFICATIONS	
Voltage Rating:	30VAC(rms)
Current Rating:	1 Amp.
Contact Resistance:	50m Ω Max.
Insulation Resistance:	100M Ω Min.
Dielectric Strength:	100VAC Min.

Tolerances	
Range	mm
0-1	± 0.1
1-4	± 0.3
4-16	± 0.5
16-23	± 0.8
63-250	± 1.0

MECHANICAL SPECIFICATIONS	
Durability:	5000 Cycles
Mating Force:	35N Max.
Unmating Force:	2.9N Min.

Materials	
Plating:	Nickel in all areas
Contact Area:	Au 30 u" over Nickel
Solder Area:	Tin-Lead over Nickel
Shell:	Copper Alloy
Shell Plating:	Tin-Lead over Nickel
Contacts:	Phosphor Bronze
Receptacle Housing:	LCP Black

Date Last Revised: 10-15-05

Available from Mouser Electronics
 1-800-346-6873
 www.mouser.com

KC-300226

154-4101

Specifications are subject to change without notice. No liability or warranty implied by this information. Environmental compliance based on producer documentation.

Mouser Electronics

Authorized Distributor

Click to View Pricing, Inventory, Delivery & Lifecycle Information:

[Kobiconn:](#)

[154-4101](#)