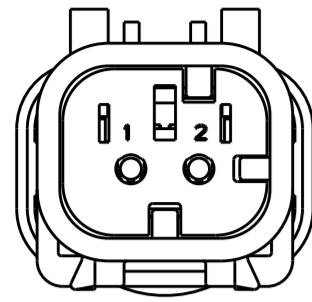
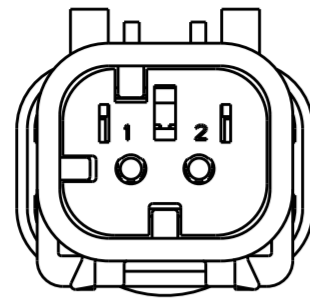


THIS DRAWING IS UNPUBLISHED. RELEASED FOR PUBLICATION  
 © COPYRIGHT 20 BY - ALL RIGHTS RESERVED.

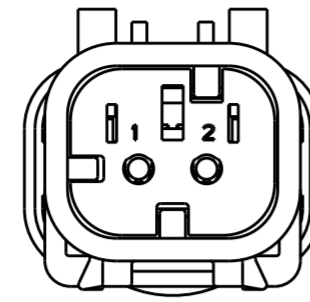
REVISIONS				
P	LTR	DESCRIPTION	DATE	APVD
E		REVISED PER ECO-13-019067	05DEC2013	DR RB



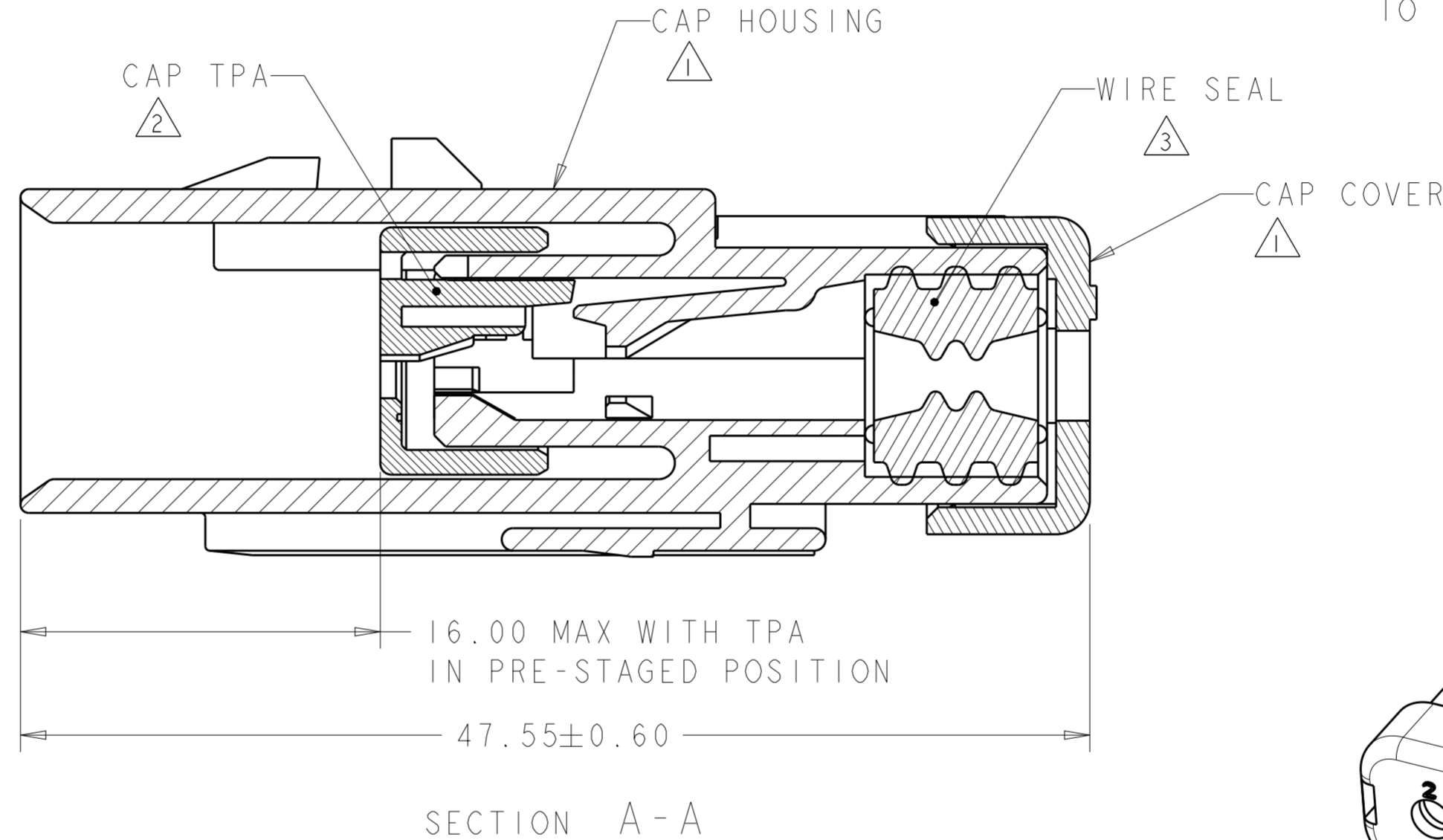
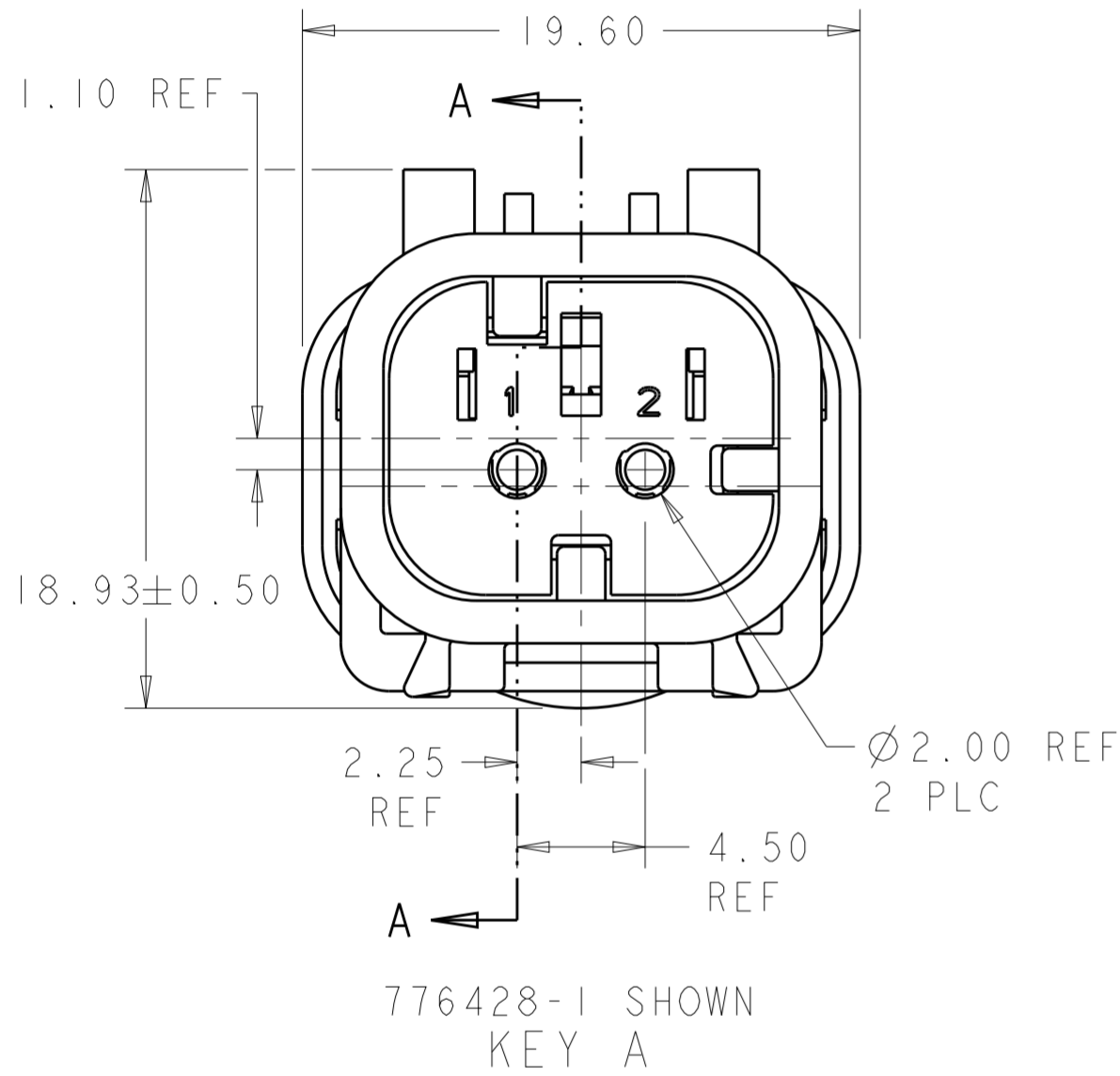
776428-2  
SCALE 2:1  
KEY B



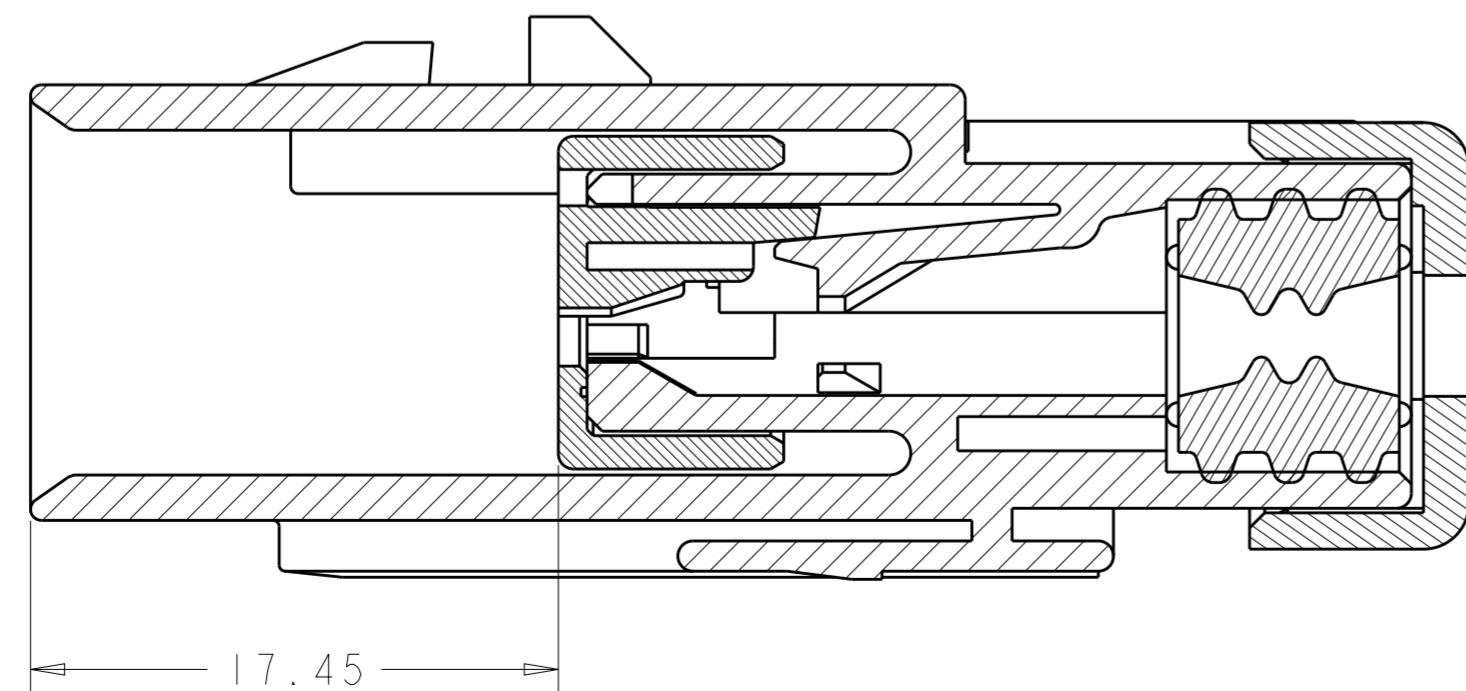
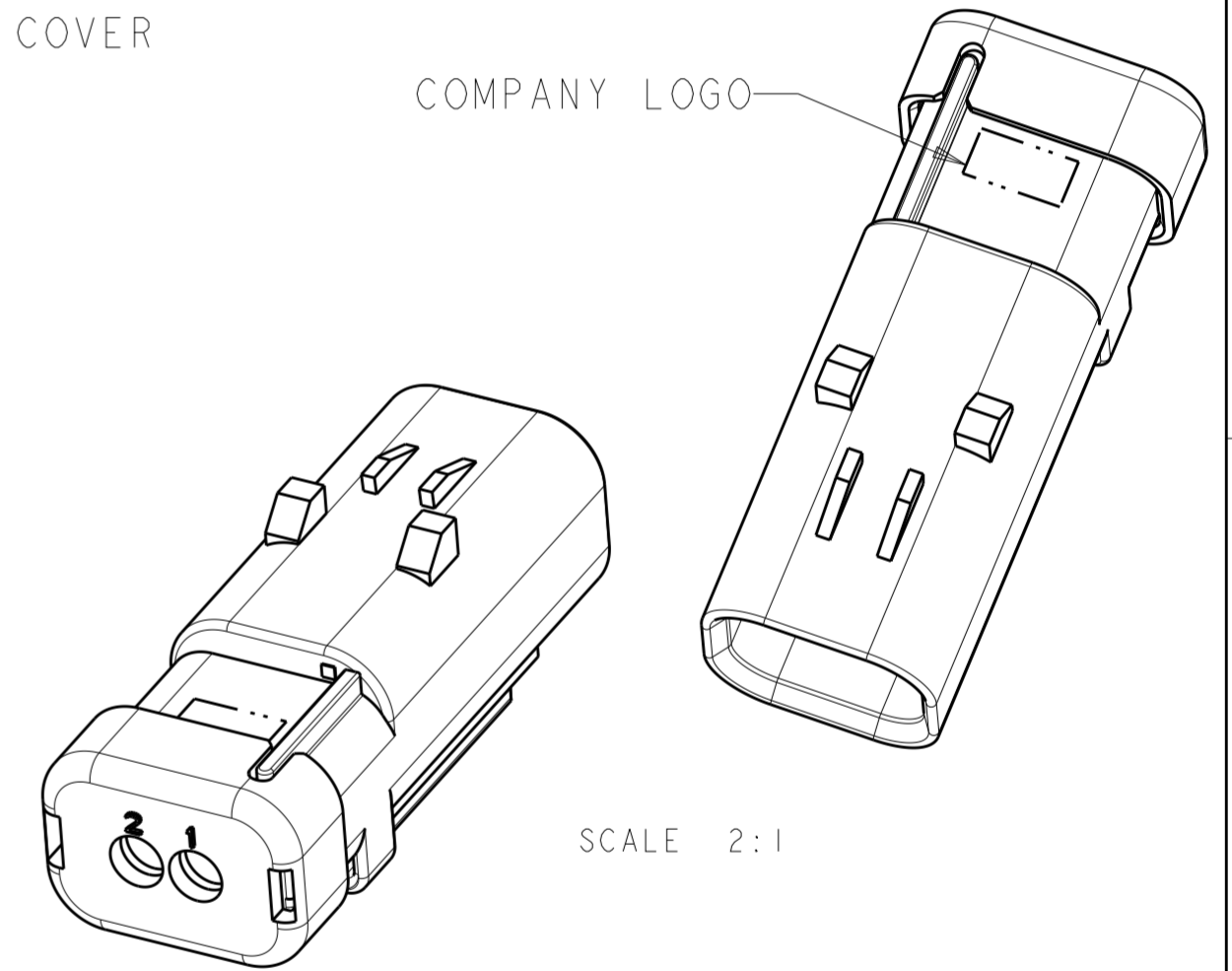
776428-3  
SCALE 2:1  
KEY C



776428-4  
SCALE 2:1  
KEY D



- 1 MATERIAL: 15% GLASS FILLED THERMOPLASTIC  
COLOR: BLACK
- 2 MATERIAL: 15% GLASS FILLED THERMOPLASTIC  
COLOR: (SEE TABLE)
- 3 MATERIAL: SILICONE  
COLOR: MARINE BLUE
- 4. RECOMMENDED WIRE DIAMETER RANGE IS 2.18 TO 3.67mm.



GREEN	776428-4
YELLOW	776428-3
GRAY	776428-2
RED	776428-1
TPA COLOR	PART NUMBER

THIS DRAWING IS A CONTROLLED DOCUMENT.		DWN Y. PETERSON 22FEB2000	TE Connectivity	
DIMENSIONS: mm		CHK R. GREINER 11DEC2001	NAME CAP ASSEMBLY, 2 POSITION, SINGLE ROW, AMPSEAL 16	
TOLERANCES UNLESS OTHERWISE SPECIFIED:		APVD M. TRULLI 11DEC2001	RESTRICTED TO	
0 PLC	±	PRODUCT SPEC	-	
1 PLC	±	108-2184	-	
2 PLC	±	APPLICATION SPEC	-	
3 PLC	±	114-13065	-	
4 PLC	±	WEIGHT	-	
ANGLES	±	9	-	
FINISH	-	Customer Drawing	-	
-		SCALE 4:1		SHEET OF REV E

# Mouser Electronics

Authorized Distributor

Click to View Pricing, Inventory, Delivery & Lifecycle Information:

[TE Connectivity:](#)

[776428-3](#)