

HSZ Series Industrial Control Transformers

The HSZ series is for applications where cost or heat issues make mounting the transformer outside the control panel necessary. This series has 80°C rise and have copper winding for industrial applications.

Features

- UL Class 180°C insulation system, 80°C temperature rise under full load
- Meets or exceeds NEMA regulation standards
- Copper windings
- Encapsulated
- UL Listed/NEMA Type 3R (rain proof)



Optional Styles

- UL Listed/NEMA Type 4 (wash down & dust proof)
- UL Listed/NEMA Type 4X (corrosion proof)
- UL Listed/NEMA Type 12 (dust proof)



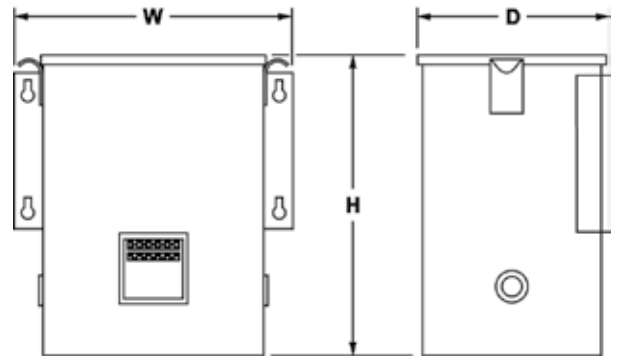
Certifications and Compliances

- cULus Listed: E77014 - Type HSZ
 - UL 5085-1, UL 5085-2
 - CSA C22.2 No. 66.1, No. 66.2
- RoHS Compliant

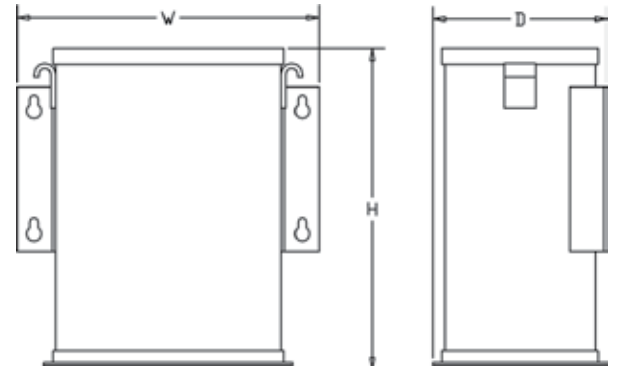
Related Products

- Linear Power Supplies
- DIN Rail DC Power Supplies
- Constant Voltage Transformers

Design Style 1 - Type 3R



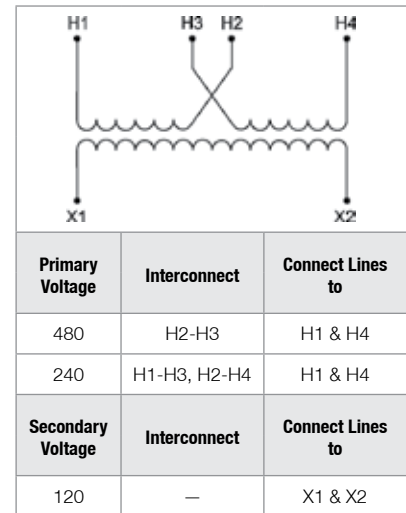
Design Style 2 - Type 4, Type 4X, Type 12



HSZ Series Selection Tables and Electrical Connections

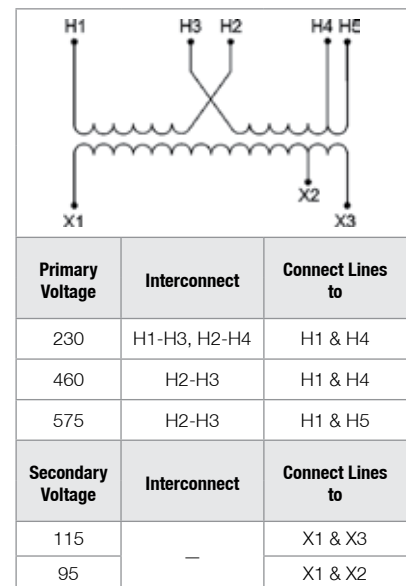
Group 1 – 240/480, 230/460, 220/440 Volt Primary, 120/115/110 Volt Secondary, 50/60 Hz

| kVA | Catalog Number Type-3R | Catalog Number Type-4/12 | Catalog Number Type-4X | Height in (mm) | Width in (mm) | Depth in (mm) | Approx. Ship Weight lbs (kg) |
|-----|------------------------|--------------------------|------------------------|----------------|---------------|---------------|------------------------------|
| 1 | HZ1000 | HZ12-1000 | HZ4X-1000 | 12.00 (304.8) | 10.00 (254.0) | 7.00 (177.8) | 43.0 (19.55) |
| 1.5 | HZ1500 | HZ12-1500 | HZ4X-1500 | 12.00 (304.8) | 10.00 (254.0) | 7.00 (177.8) | 55.0 (25.00) |
| 2 | HZ2000 | HZ12-2000 | HZ4X-2000 | 12.00 (304.8) | 10.00 (254.0) | 7.00 (177.8) | 68.0 (30.91) |
| 3 | HZ3000 | HZ12-3000 | HZ4X-3000 | 17.00 (431.8) | 14.00 (355.6) | 9.00 (228.6) | 108.0 (49.09) |
| 5 | HZ5000 | HZ12-5000 | HZ4X-5000 | 17.00 (431.8) | 14.00 (355.6) | 9.00 (228.6) | 138.0 (62.73) |
| 7.5 | HZ7500 | HZ12-7500 | HZ4X-7500 | 17.00 (431.8) | 14.00 (355.6) | 9.00 (228.6) | 173.0 (78.64) |
| 10 | HZ10000 | HZ12-10000 | HZ4X-10000 | 17.00 (431.8) | 17.00 (431.8) | 12.00 (304.8) | 210.0 (95.45) |



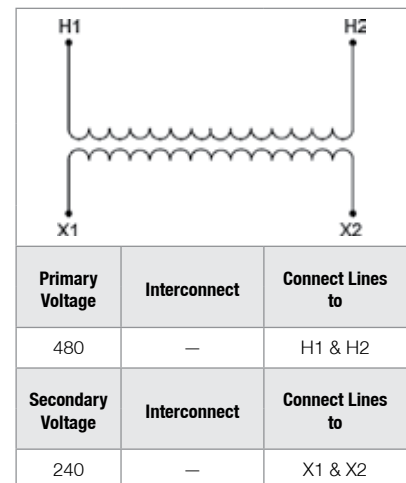
Group 2 – 230/460/575 Volt Primary, 115/95 Volt Secondary, 50/60 Hz

| kVA | Catalog Number Type-3R | Catalog Number Type-4/12 | Catalog Number Type-4X | Height in (mm) | Width in (mm) | Depth in (mm) | Approx. Ship Weight lbs (kg) |
|-----|------------------------|--------------------------|------------------------|----------------|---------------|---------------|------------------------------|
| 1 | HZ1000A | HZ12-1000A | HZ4X-1000A | 12.00 (304.8) | 10.00 (254.0) | 7.00 (177.8) | 43.0 (19.55) |
| 1.5 | HZ1500A | HZ12-1500A | HZ4X-1500A | 12.00 (304.8) | 10.00 (254.0) | 7.00 (177.8) | 55.0 (25.00) |
| 2 | HZ2000A | HZ12-2000A | HZ4X-2000A | 12.00 (304.8) | 10.00 (254.0) | 7.00 (177.8) | 68.0 (30.91) |
| 3 | HZ3000A | HZ12-3000A | HZ4X-3000A | 17.00 (431.8) | 14.00 (355.6) | 9.00 (228.6) | 108.0 (49.09) |
| 5 | HZ5000A | HZ12-5000A | HZ4X-5000A | 17.00 (431.8) | 14.00 (355.6) | 9.00 (228.6) | 138.0 (62.73) |
| 7.5 | HZ7500A | HZ12-7500A | HZ4X-7500A | 17.00 (431.8) | 14.00 (355.6) | 9.00 (228.6) | 173.0 (78.64) |
| 10 | HZ10000A | HZ12-10000A | HZ4X-10000A | 17.00 (431.8) | 17.00 (431.8) | 12.00 (304.8) | 210.0 (95.45) |



Group 3 – 480 Volt Primary, 240 Volt Secondary, 50/60 Hz

| kVA | Catalog Number Type-3R | Catalog Number Type-4/12 | Catalog Number Type-4X | Height in (mm) | Width in (mm) | Depth in (mm) | Approx. Ship Weight lbs (kg) |
|-----|------------------------|--------------------------|------------------------|----------------|---------------|---------------|------------------------------|
| 1 | HZ1000R | HZ12-1000R | HZ4X-1000R | 12.00 (304.8) | 10.00 (254.0) | 7.00 (177.8) | 43 (19.55) |
| 1.5 | HZ1500R | HZ12-1500R | HZ4X-1500R | 12.00 (304.8) | 10.00 (254.0) | 7.00 (177.8) | 55 (25.00) |
| 2 | HZ2000R | HZ12-2000R | HZ4X-2000R | 12.00 (304.8) | 10.00 (254.0) | 7.00 (177.8) | 68 (30.91) |
| 3 | HZ3000R | HZ12-3000R | HZ4X-3000R | 17.00 (431.8) | 14.00 (355.6) | 9.00 (228.6) | 108 (49.09) |
| 5 | HZ5000R | HZ12-5000R | HZ4X-5000R | 17.00 (431.8) | 14.00 (355.6) | 9.00 (228.6) | 138 (62.73) |
| 7.5 | HZ7500R | HZ12-7500R | HZ4X-7500R | 17.00 (431.8) | 14.00 (355.6) | 9.00 (228.6) | 173 (78.64) |
| 10 | HZ10000R | HZ12-10000R | HZ4X-10000R | 17.00 (431.8) | 17.00 (431.8) | 12.00 (304.8) | 210 (95.45) |



Note: Contact Technical Services for lead times on enclosures.

Mouser Electronics

Authorized Distributor

Click to View Pricing, Inventory, Delivery & Lifecycle Information:

Sola/Hevi-Duty:

[HZ1000](#) [HZ121000](#) [HZ1210000](#) [HZ121500](#) [HZ122000](#) [HZ122000A](#) [HZ123000](#) [HZ125000](#) [HZ125000R](#)
[HZ127500](#) [HZ1500](#) [HZ2000](#) [HZ3000](#) [HZ5000](#) [HZ5000R](#) [HZ7500](#) [HZ4X2000](#) [HZ4X3000](#) [HZ4X5000](#) [HZ4X5000R](#)
[HZ4X7500](#)