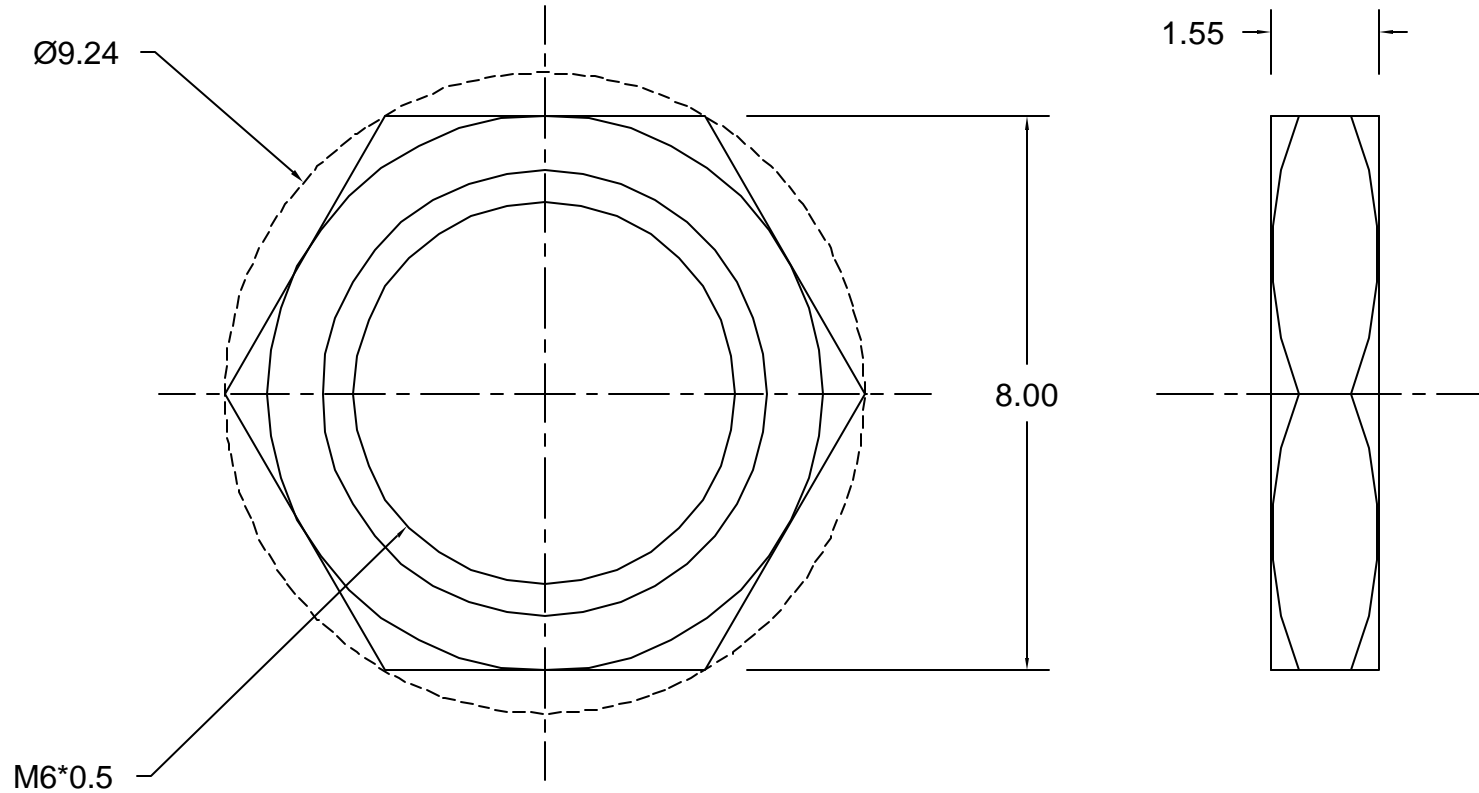


Material: Copper Alloy  
 Finish: Nickel



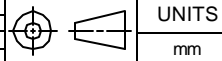
Tolerances
X.X ± 0.25
X.XX ± 0.15
Unless Stated Otherwise



REV.	DATE	DESCRIPTION	REV. BY	CHK. BY	DRAWN BY	DATE
A1	02/22/06	New Drawing	R. Aguirre	H. MA	R. Aguirre	02/17/06
A2	03/04/08	ECO #08-013	R. Aguirre	H. MA		

**HNX-M6-50**

Hexagonal Nut, RoHS Compliant  
 for ST Series Stereo Jacks



# Mouser Electronics

Authorized Distributor

Click to View Pricing, Inventory, Delivery & Lifecycle Information:

[Kycon:](#)

[HNX-M6-50](#)