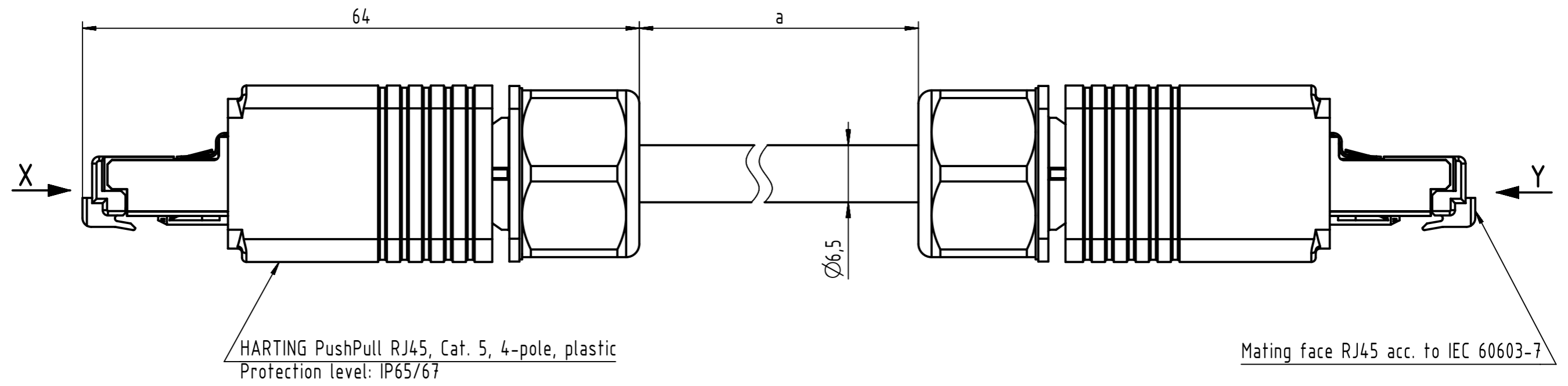


Connector Location A

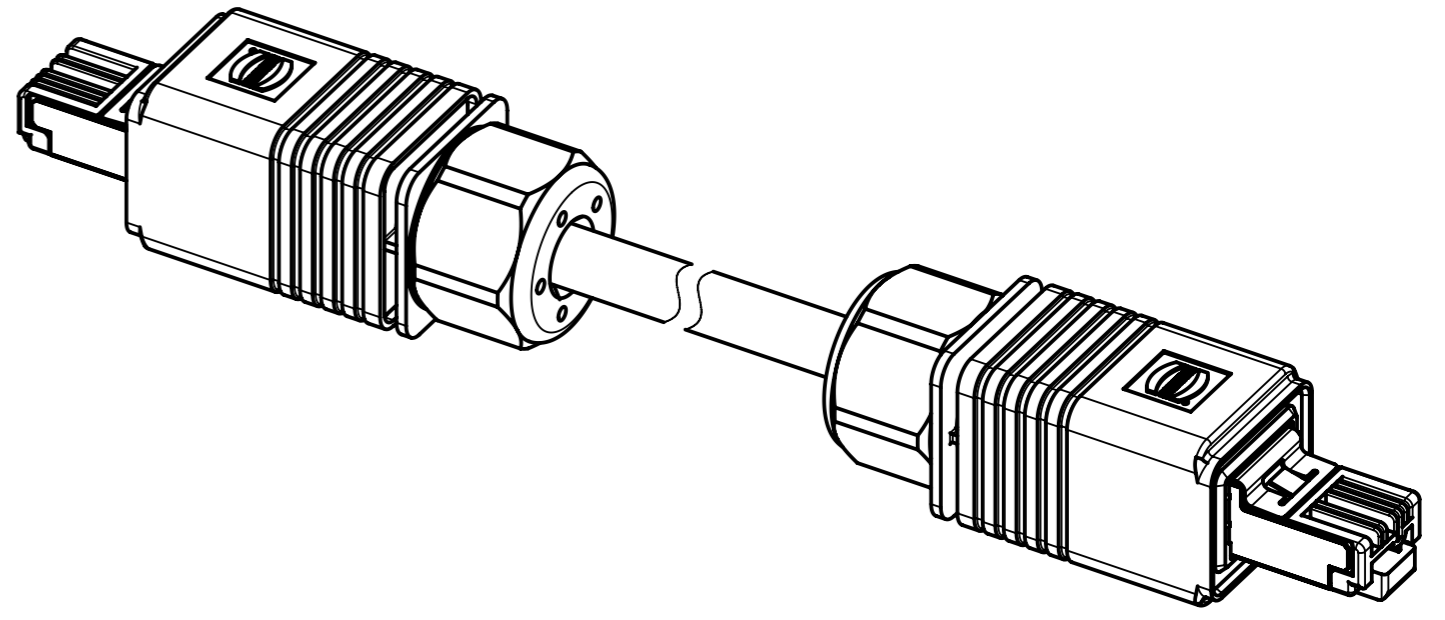
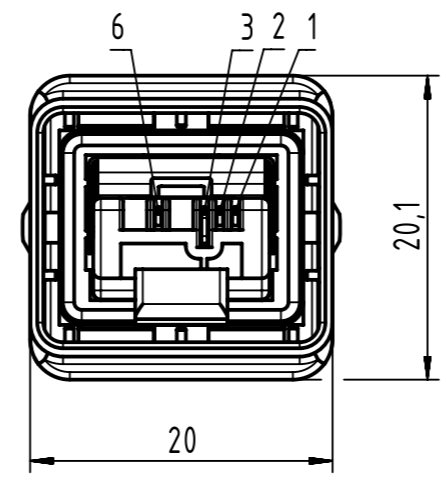
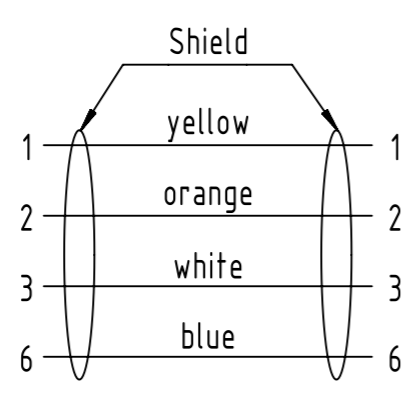
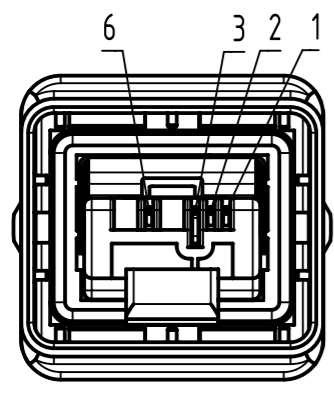
Connector Location B



X
male

Y
male

Loading-Plan



- Temperature range: -40°C...+70°C

	All rights reserved Department HCS - RO	Created by STOCHECIC Stochei	Inspected by COSTEA Costea	Standardisation MUNTEANV Muntean	Date 2018-06-12	State Final Release
	HARTING Customised Solutions D-32339 Espelkamp	Title HARTING PushPull RJ45 Cable Assembly			Doc-Key / ECM-Nr. 100155667/UGD/010/C 500000135964	
		Type TB	Number 0945745XXXX		Rev. C	Page 1/2

Mouser Electronics

Authorized Distributor

Click to View Pricing, Inventory, Delivery & Lifecycle Information:

HARTING:

[09457450023](#) [09457450025](#) [09457450027](#) [09457450051](#) [09457450053](#) [09457451123](#) [09457451125](#)
[09457451127](#) [09457451151](#) [09457451164](#) [09457451166](#) [09457451168](#) [09457451173](#) [09457451175](#) [09457451183](#)
[09457451154](#)