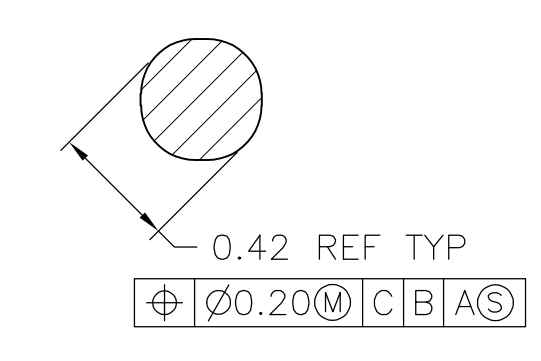
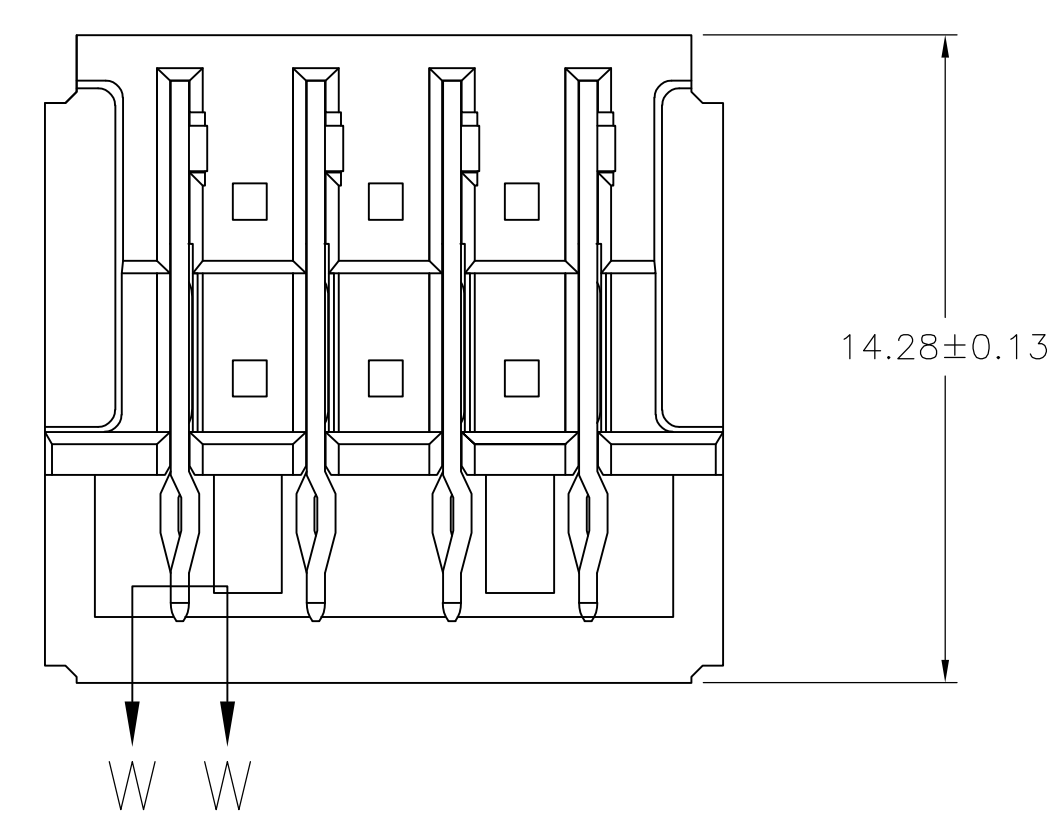
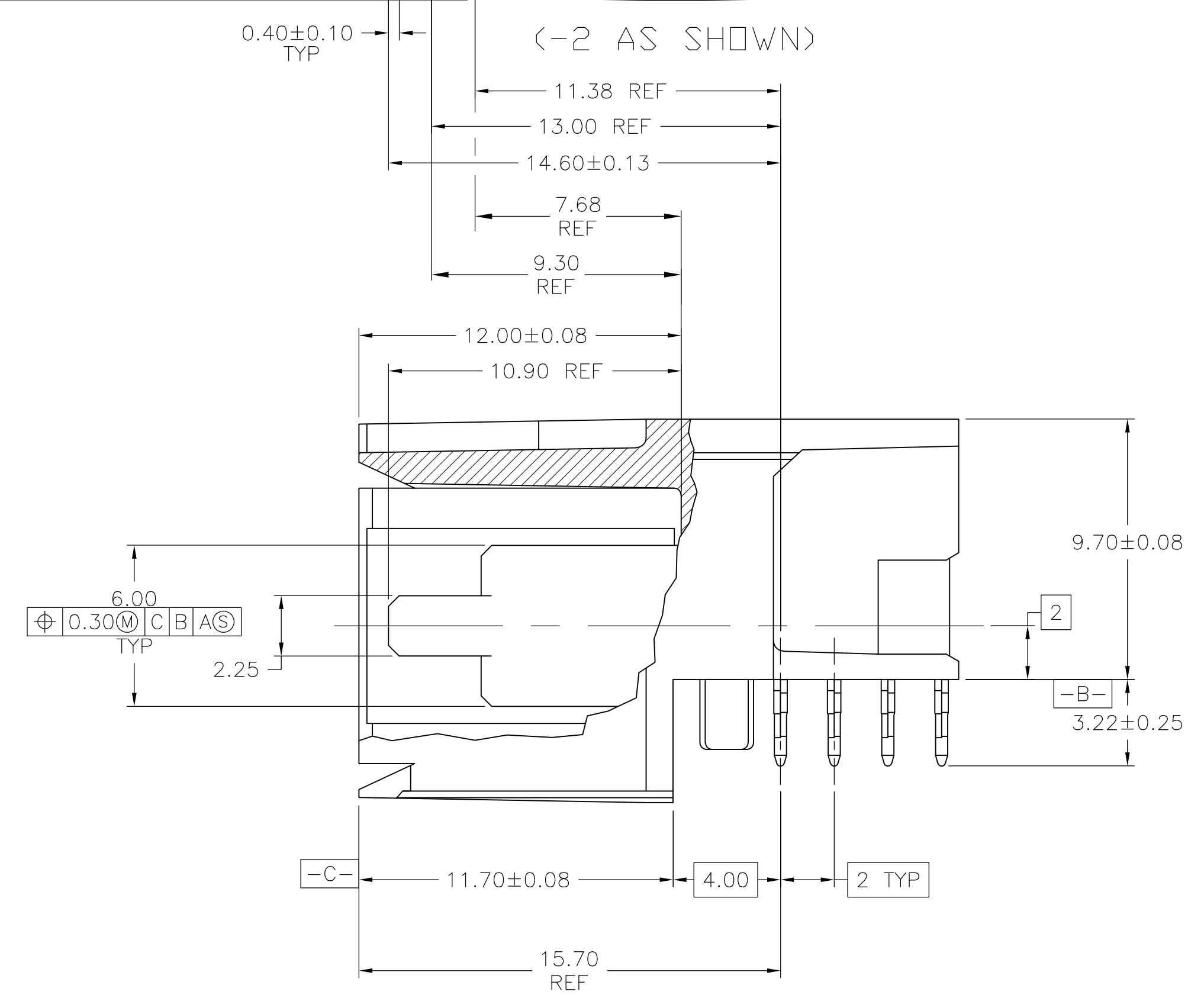
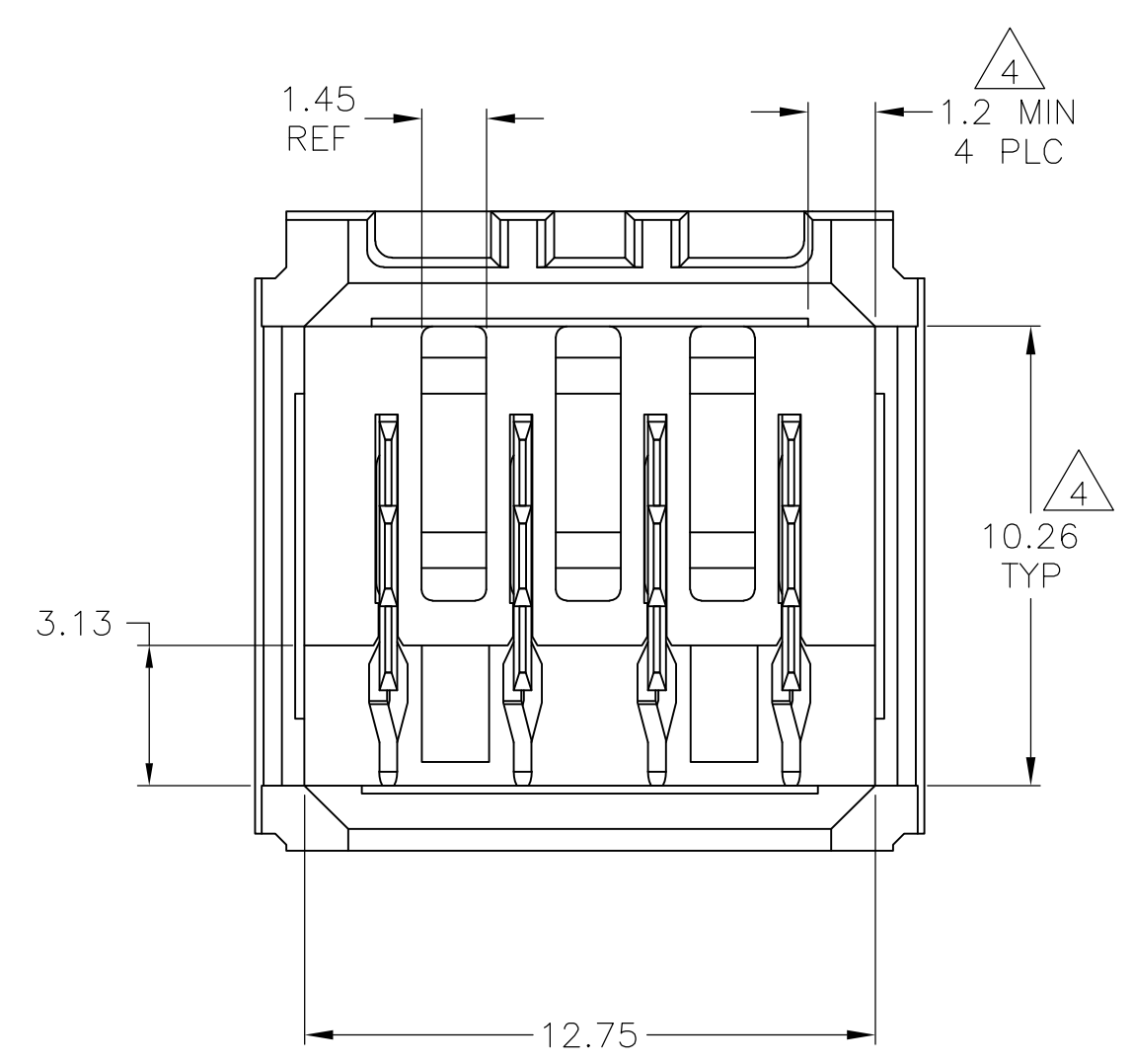
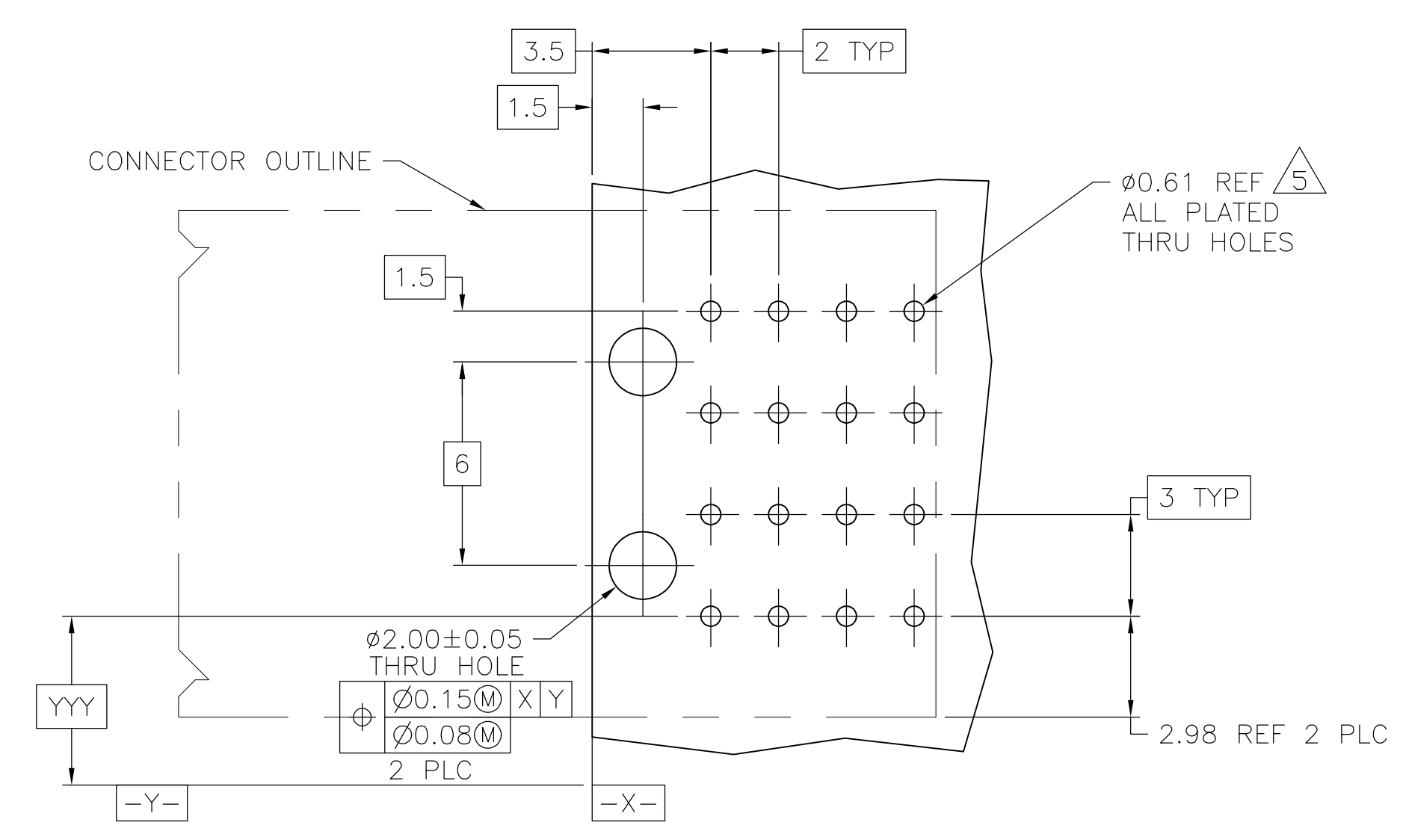


- 1 MATERIAL: HOUSING: POLYESTER. COLOR: GRAY. UL 94V-0. CONTACT: PHOSPHOR BRONZE.
- 2 FINISH: CONTACT MATING AREA: 1.27µm MIN GOLD OR 0.08µm MIN GOLD OVER 0.76µm MIN PALLADIUM-NICKEL. ACTION PIN AREA: 0.54µm MIN TIN PLATE, ALL OVER 1.27µm MIN NICKEL UNDERPLATE.
- 3 FINISH: CONTACT LUBRICATION WITH BELLCORE APPROVED LUBRICANT. TECHNICAL REFERENCE: TR-NWT-001217 ISSUE 1, SEPT 1992.
- 4 THE 10.26±0.13 DIMENSION APPLIES IN THIS AREA.
- 5 REFERENCE APPLICATION SPEC 114-1103 FOR RECOMMENDED PLATED THRU HOLE DIAMETER AND PLATING THICKNESS.
- 6. CURRENT RATING 10A/CONTACT PER PRODUCT SPEC 108-1651.



SECTION W-W
SCALE 40:1



RECOMMENDED PCB HOLE LAYOUT

-	A,D	B,C	4	5646954-5
A	B,C	D	4	5646954-4
A	C	B,D	4	5646954-3
C	B	A,D	4	5646954-2
A,B,C,D	-	-	4	5646954-1
POSITIONS LOADED WITH 10.90 REF CONTACTS	POSITIONS LOADED WITH 9.30 REF CONTACTS	POSITIONS LOADED WITH 7.68 REF CONTACTS	NO OF LOADED POSITIONS	PART NUMBER

THIS DRAWING IS A CONTROLLED DOCUMENT.

DIMENSIONS: mm	TOLERANCES UNLESS OTHERWISE SPECIFIED:	DIN B CARBO 04JAN05	NAME
0 PLC ± -	1 PLC ± -	04JAN05	R PATTERSON
2 PLC ± 0.13	3 PLC ± -	04JAN05	R PATTERSON
4 PLC ± -	ANGLES ± -		

ASSEMBLY, RIGHT ANGLE HEADER, W/ RETENTION PEGS, UNIVERSAL POWER MODULE

SIZE: A1 CAGE CODE: 00779 DRAWING NO: 5646954

WEIGHT: -

CUSTOMER DRAWING SCALE: 1:1 SHEET: 1 OF 1 REV: D1

Mouser Electronics

Authorized Distributor

Click to View Pricing, Inventory, Delivery & Lifecycle Information:

[TE Connectivity:](#)

[5646954-3](#)