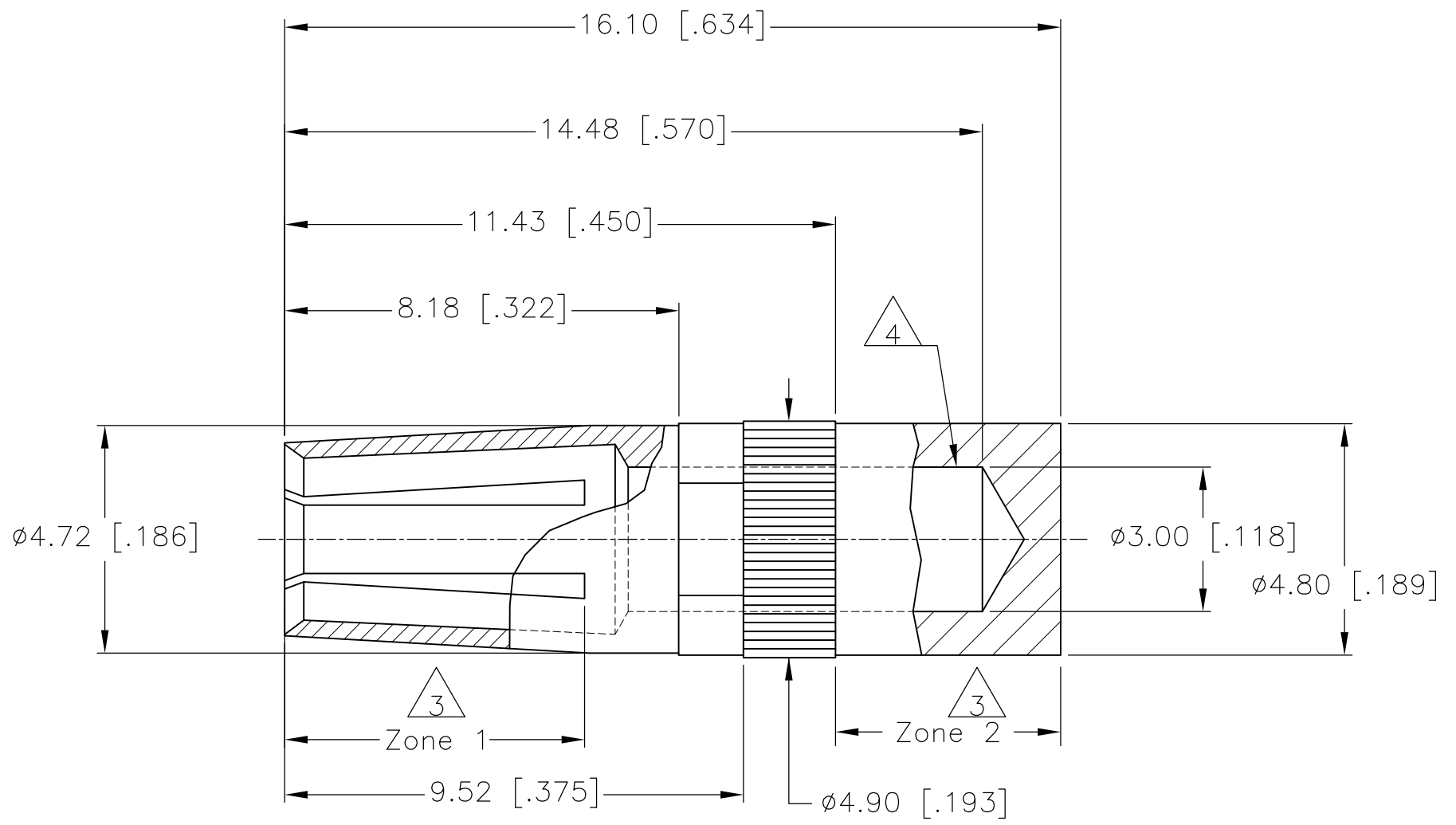
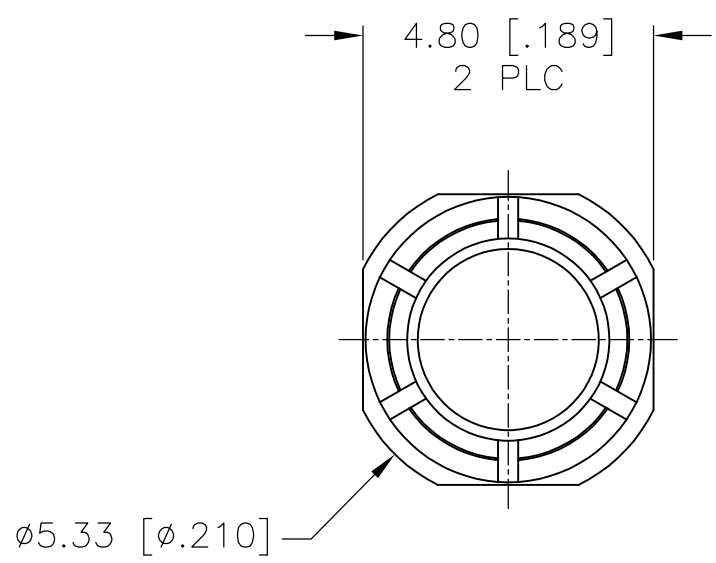


THIS DRAWING IS UNPUBLISHED. RELEASED FOR PUBLICATION
 © COPYRIGHT - By - ALL RIGHTS RESERVED.

LOC	DIST	REVISIONS					
AD	00	P	LTR	DESCRIPTION	DATE	DWN	APVD
			C	REVISED PER ECO-14-017191	19NOV2014	AP	RP



- 1 CONTACT: BERYLLIUM COPPER.
- 2 OBSOLETE PARTS: OBSOLETE CIS STREAMLINING PER D.RENAUD/D.SINISI.
- 3 GOLD PLATE: .000030 MIN IN ZONE 1. GOLD PLATE .000010 MIN IN ZONE 2. NICKEL PLATE .000050 MIN ALL OVER.
- 4 COMPLETE PLATING COVERAGE NOT REQUIRED INSIDE BLIND HOLE.

1.27µm [.000050] MIN GOLD	1	148375-2
0.76µm [.000030] MIN GOLD	3 1	148375-1
FINISH	MATERIAL	PART NUMBER

THIS DRAWING IS A CONTROLLED DOCUMENT.		DWN	L. BRINER	3/3/97	STE TE Connectivity		
DIMENSIONS: mm [INCHES]		CHK	R. PATTERSON	3/3/97			
TOLERANCES UNLESS OTHERWISE SPECIFIED:		APVD	R. PATTERSON	3/3/97	NAME		
0 PLC ± -		PRODUCT SPEC			POWER CONTACT, FEMALE BOARD MOUNT, SOLDER		
1 PLC ± -		APPLICATION SPEC			RESTRICTED TO		
2 PLC ± 0.13 [.005]		WEIGHT			SIZE	CAGE CODE	DRAWING NO
3 PLC ± -		MATERIAL			A3	00779	C-148375
4 PLC ± -		FINISH			SCALE	SHEET	REV
ANGLES ± -		SEE TABLE			4:1	1 OF 1	C
MATERIAL		CUSTOMER DRAWING					