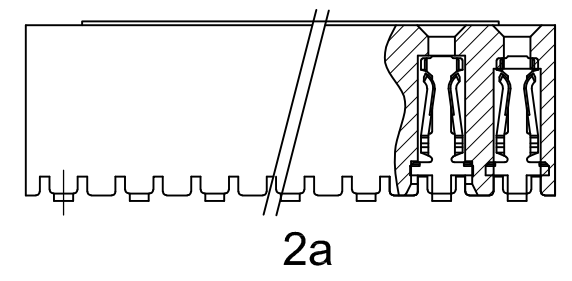
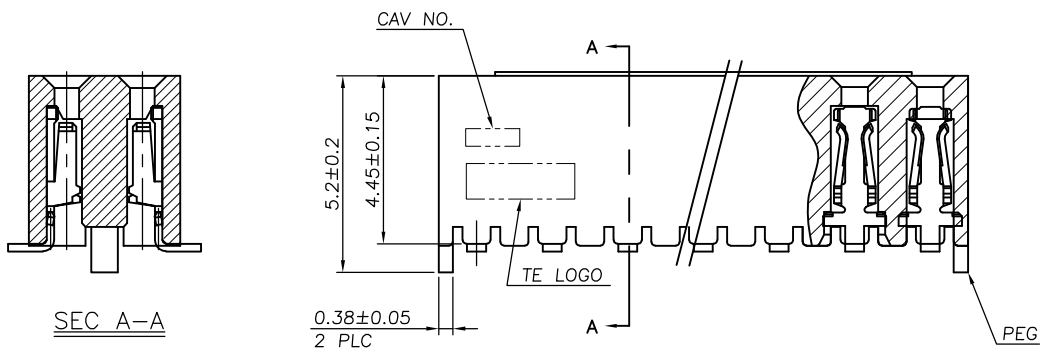
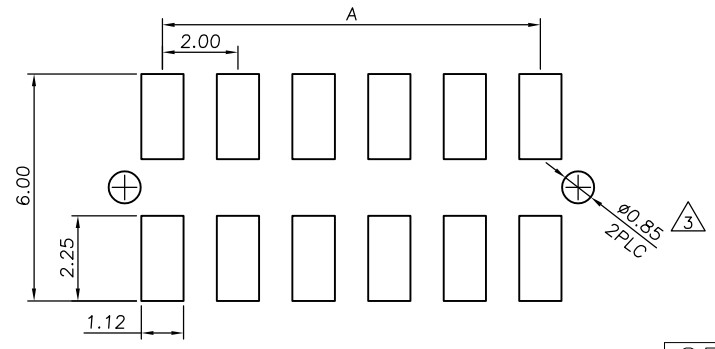
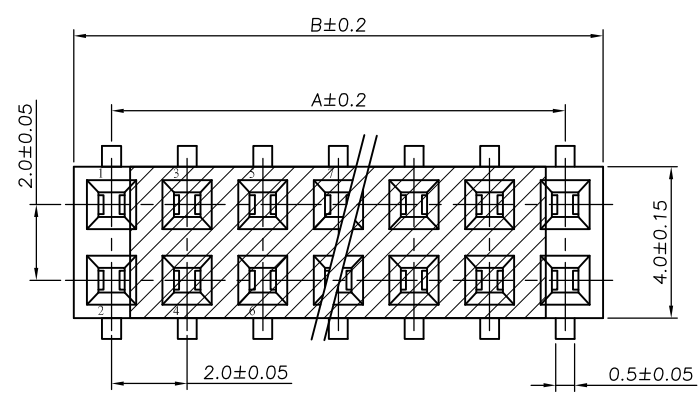
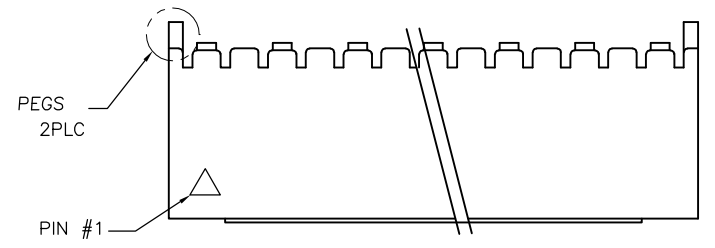


THIS DRAWING IS UNPUBLISHED
 RELEASED FOR PUBLICATION AUG 2006.
 ALL RIGHTS RESERVED.

LOC	DIST	REVISIONS					
IR	-	P	LTR	DESCRIPTION	DATE	DWN	APVD
			A4	REVISED PER ECO-12-013073	16JUL12	KH	JO



OBSOLETE	38.00	40.00	40	9-1734516-0
OBSOLETE	36.00	38.00	38	8-1734516-8
OBSOLETE	34.00	36.00	36	8-1734516-6
OBSOLETE	32.00	34.00	34	8-1734516-4
OBSOLETE	30.00	32.00	32	8-1734516-2
OBSOLETE	28.00	30.00	30	8-1734516-0
OBSOLETE	26.00	28.00	28	7-1734516-8
OBSOLETE	24.00	26.00	26	7-1734516-6
OBSOLETE	22.00	24.00	24	7-1734516-4
OBSOLETE	20.00	22.00	22	7-1734516-2
OBSOLETE	18.00	20.00	20	7-1734516-0
OBSOLETE	16.00	18.00	18	6-1734516-8
OBSOLETE	14.00	16.00	16	6-1734516-6
OBSOLETE	12.00	14.00	14	6-1734516-4
OBSOLETE	10.00	12.00	12	6-1734516-2
OBSOLETE	8.00	10.00	10	6-1734516-0
OBSOLETE	6.00	8.00	8	5-1734516-8
OBSOLETE	38.00	40.00	40	4-1734516-0
OBSOLETE	36.00	38.00	38	3-1734516-8
OBSOLETE	34.00	36.00	36	3-1734516-6
OBSOLETE	32.00	34.00	34	3-1734516-4
OBSOLETE	30.00	32.00	32	3-1734516-2
OBSOLETE	28.00	30.00	30	3-1734516-0
OBSOLETE	26.00	28.00	28	2-1734516-8
OBSOLETE	24.00	26.00	26	2-1734516-6
OBSOLETE	22.00	24.00	24	2-1734516-4
OBSOLETE	20.00	22.00	22	2-1734516-2
OBSOLETE	18.00	20.00	20	2-1734516-0
OBSOLETE	16.00	18.00	18	1-1734516-8
OBSOLETE	14.00	16.00	16	1-1734516-6
OBSOLETE	12.00	14.00	14	1-1734516-4
OBSOLETE	10.00	12.00	12	1-1734516-2
OBSOLETE	8.00	10.00	10	1-1734516-0
OBSOLETE	6.00	8.00	8	0-1734516-8

NO, SEE VIEWS 2a, 2b

YES, SEE VIEWS 1a, 1b

- 1 MATERIAL :
HOUSING : THERMOPLASTIC, UL94V-0, BLACK COLOR.
CONTACT : PHOSPHOR BRASS, THICKNESS=0.20MM.
- 2 FINISH :
30M" MIN. GOLD PLATED ON CONTACT AREA
100M" MIN. MATTE TIN PLATED ON SOLDER TAIL,
50M" MIN. NICKEL UNDERPLATED OVER ALL.
- 3 ONLY APPLIES TO
P/NS. : 0-1734516-8 ~ 4-1734516-0
- 4 REFLOW SOLDER CAPABLE TO 245°C PER TE SPEC 109-201, CONDITION A.
- 5 QUALIFICATION TEST REPORT: 501-57197

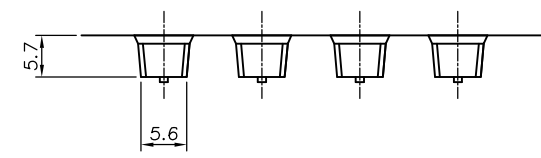
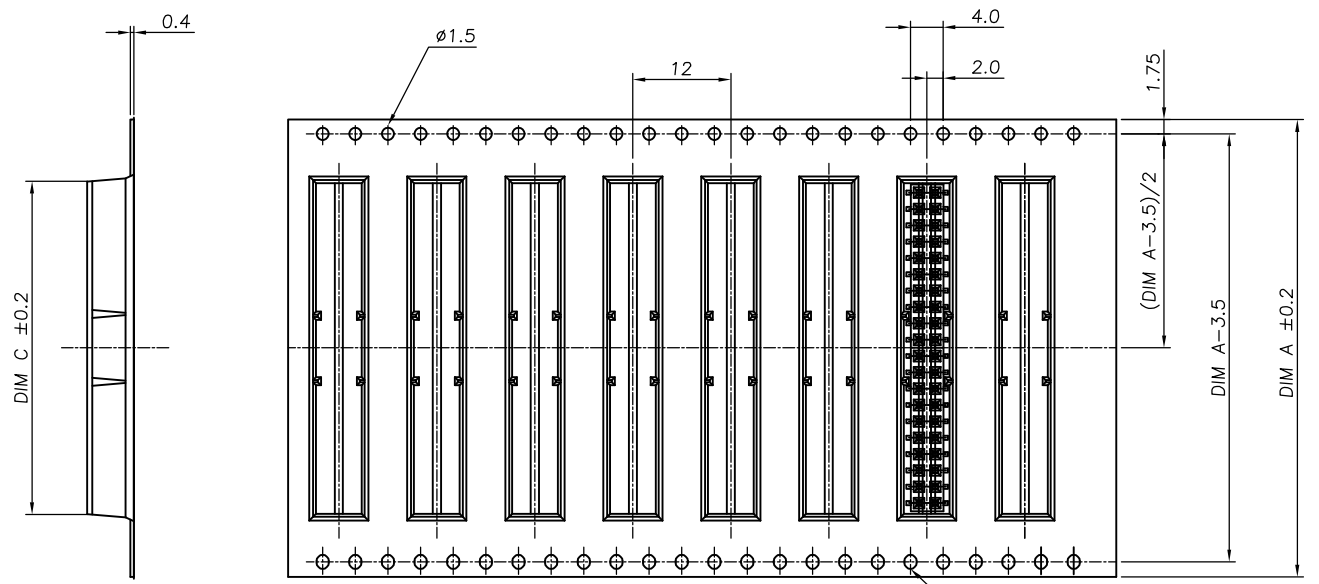
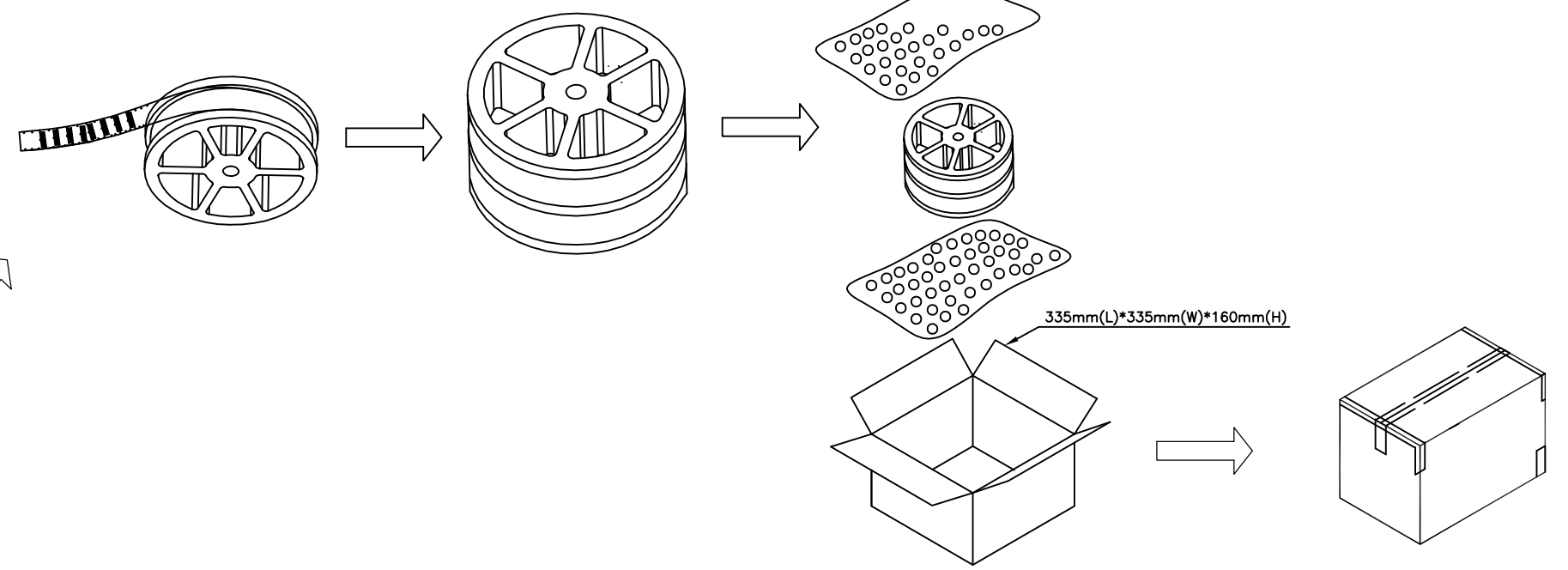
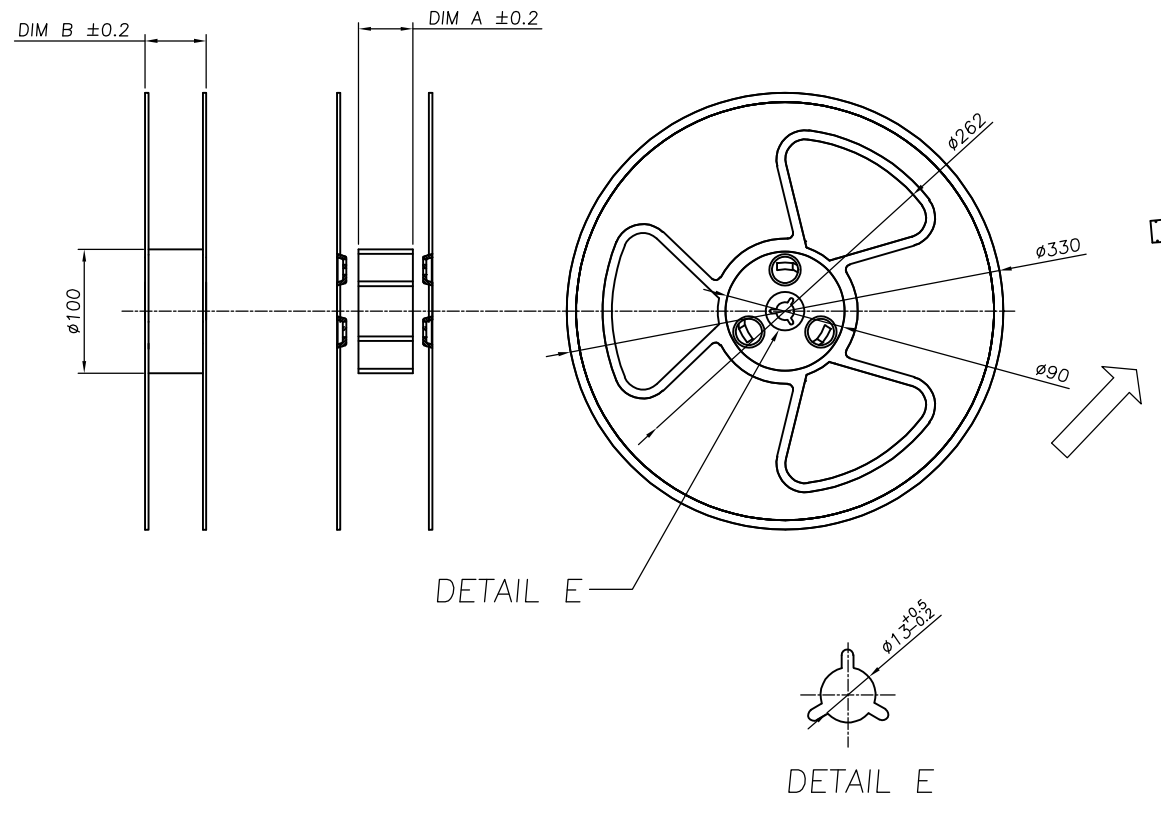
THIS DRAWING IS A CONTROLLED DOCUMENT.

DIMENSIONS: mm	TOLERANCES UNLESS OTHERWISE SPECIFIED: 0 PLC ± - 1 PLC ± 0.20 2 PLC ± 0.10 3 PLC ± 0.05 4 PLC ± - ANGLES ± 3'	DWN 07APR2006 O.HU CHK 07APR2006 S.HOU APVD 07APR2006 W.J.KE PRODUCT SPEC 108-57197 APPLICATION SPEC	TE Connectivity NAME AMPMODU 2.0mm PITCH, REC CONN, SMT, VERTICAL MOUNT			
MATERIAL 1	FINISH 2	WEIGHT -	SIZE A3	CAGE CODE 00779	DRAWING NO C-1734516	RESTRICTED TO -
CUSTOMER DRAWING			SCALE 5:1	SHEET 1 OF 2	REV A4	

THIS DRAWING IS UNPUBLISHED
 © COPYRIGHT 2006 By -
 ALL RIGHTS RESERVED.

RELEASED FOR PUBLICATION
 AUG 2006.

LOC	DIST	REVISIONS			
P	LTR	DESCRIPTION	DATE	DWN	APVD
IR	-	SEE SHEET 1	-	-	-



DIM B	DIM A (REEL WIDTH)	PCS/CARTON	PCS/REEL	No. of Contacts	PART NO.	
OBSOLETE	61	56	1,800	900	40	9-1734516-0
OBSOLETE			1,800	900	38	8-1734516-8
OBSOLETE			1,800	900	36	8-1734516-6
OBSOLETE			1,800	900	34	8-1734516-4
OBSOLETE			1,800	900	32	8-1734516-2
			1,800	900	30	8-1734516-0
OBSOLETE			1,800	900	28	7-1734516-8
OBSOLETE			1,800	900	26	7-1734516-6
OBSOLETE	49	44	2,700	900	24	7-1734516-4
OBSOLETE			2,700	900	22	7-1734516-2
OBSOLETE			2,700	900	20	7-1734516-0
OBSOLETE			2,700	900	18	6-1734516-8
OBSOLETE			2,700	900	16	6-1734516-6
OBSOLETE			2,700	900	14	6-1734516-4
OBSOLETE	29	24	2,700	900	12	6-1734516-2
			2,700	900	10	6-1734516-0
			2,700	900	8	5-1734516-8
			1,800	900	40	4-1734516-0
OBSOLETE	61	56	1,800	900	38	3-1734516-8
OBSOLETE			1,800	900	36	3-1734516-6
OBSOLETE			1,800	900	34	3-1734516-4
OBSOLETE			1,800	900	32	3-1734516-2
OBSOLETE			1,800	900	30	3-1734516-0
OBSOLETE			1,800	900	28	2-1734516-8
			1,800	900	26	2-1734516-6
OBSOLETE			2,700	900	24	2-1734516-4
OBSOLETE	49	44	2,700	900	22	2-1734516-2
			2,700	900	20	2-1734516-0
OBSOLETE			2,700	900	18	1-1734516-8
OBSOLETE			2,700	900	16	1-1734516-6
			2,700	900	14	1-1734516-4
OBSOLETE	29	24	2,700	900	12	1-1734516-2
OBSOLETE			2,700	900	10	1-1734516-0
			2,700	900	8	0-1734516-8

THIS DRAWING IS A CONTROLLED DOCUMENT.

DIMENSIONS: mm	TOLERANCES UNLESS OTHERWISE SPECIFIED: 0 PLC ± - 1 PLC ± 0.20 2 PLC ± 0.10 3 PLC ± 0.05 4 PLC ± - ANGLES ± 3'	DWN O.HU 07APR2006 CHK S.HOU 07APR2006 APVD W.J.KE 07APR2006 PRODUCT SPEC 108-57197 APPLICATION SPEC	TE Connectivity AMPMODU 2.0mm PITCH, REC CONN, SMT, VERTICAL MOUNT			
MATERIAL SEE SHEET 1	FINISH SEE SHEET 1	WEIGHT -	SIZE A3	CAGE CODE 00779	DRAWING NO C-1734516	RESTRICTED TO -
CUSTOMER DRAWING			SCALE 5:1	SHEET 2 OF 2	REV A4	

Mouser Electronics

Authorized Distributor

Click to View Pricing, Inventory, Delivery & Lifecycle Information:

[TE Connectivity:](#)

[5-1734516-8](#)