

THIS DRAWING IS UNPUBLISHED.

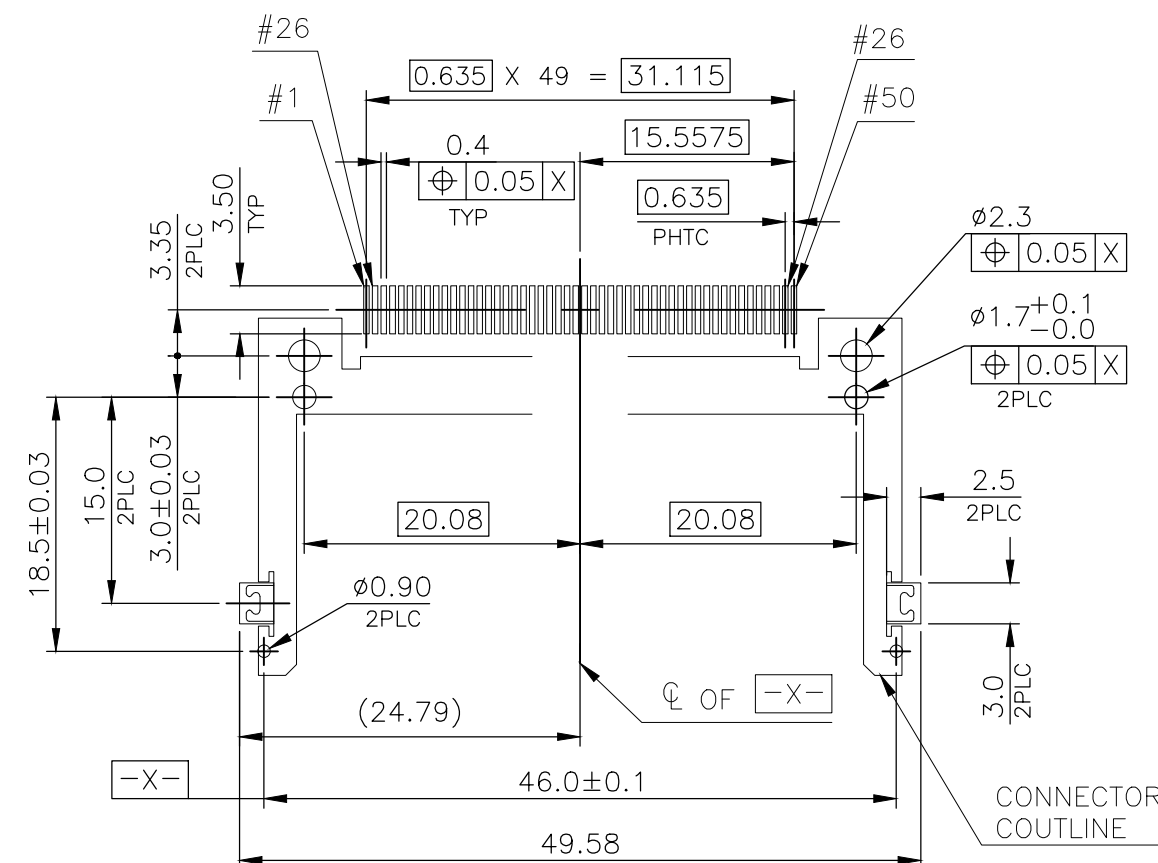
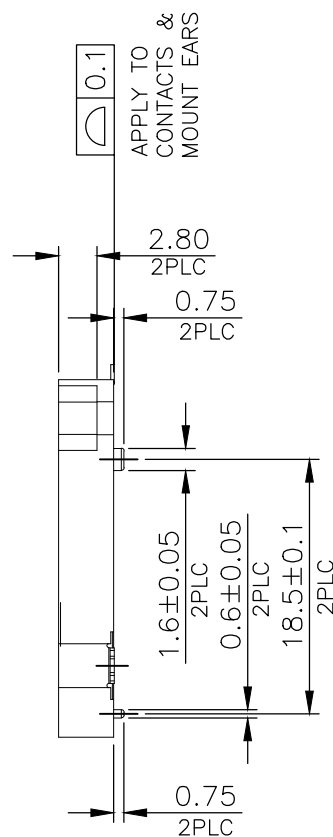
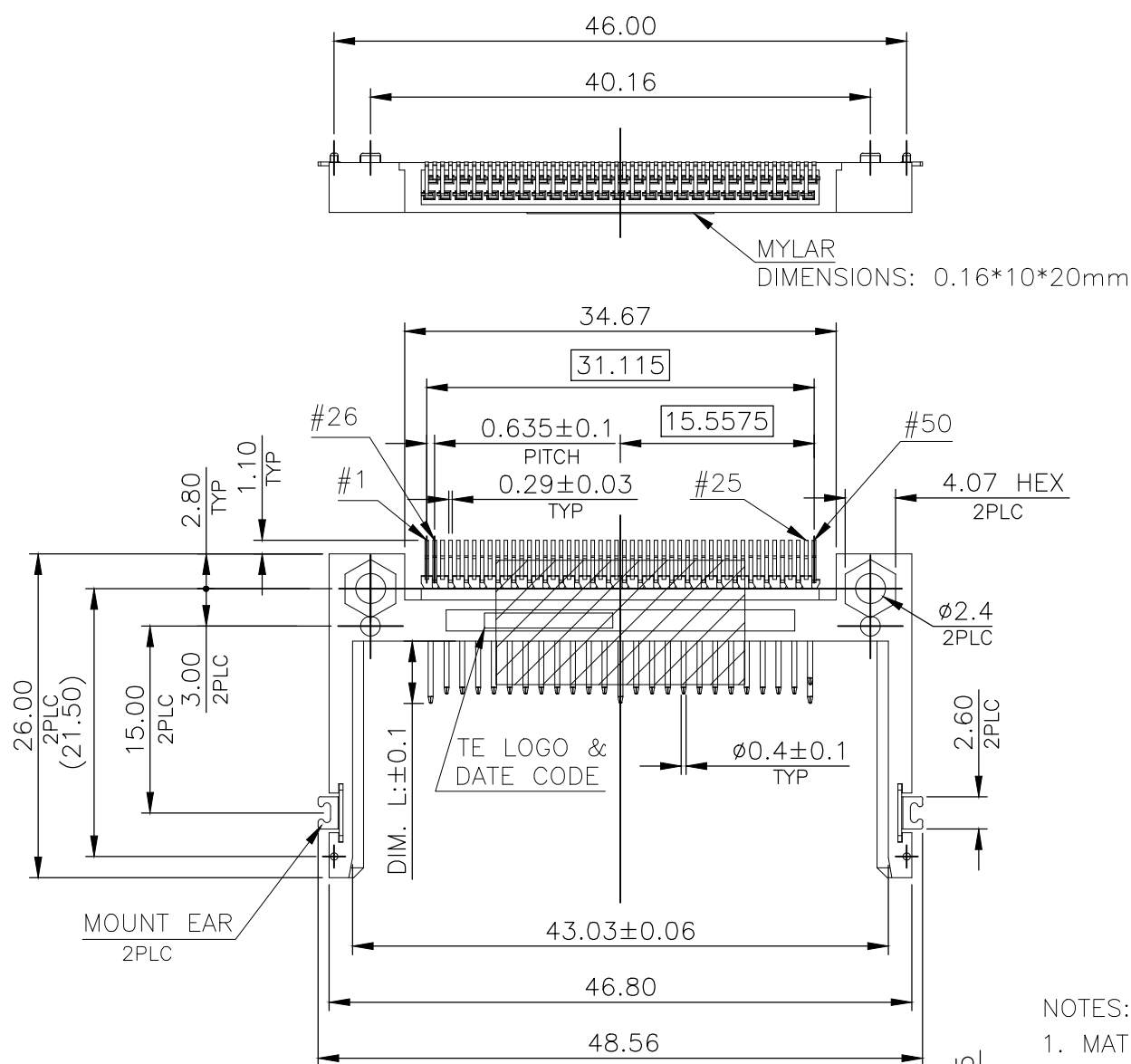
RELEASED FOR PUBLICATION

REVISIONS

© COPYRIGHT - TE Connectivity

ALL RIGHTS RESERVED.

P	LTR	DESCRIPTION	DATE	DWN	APVD
F		REVISED PER ECR-17-016350	07NOV2017	R.Z	S.L



NOTES:

1. MATERIAL:

- 1.1 HOUSING: THERMOPLASTIC, UL94 V-0, COLOR: NATURAL.
- 1.2 CONTACT: BRASS, THICKNESS=0.45mm
- 1.3 MOUNT EAR: BRASS, THICKNESS=0.3mm
- 1.4 MYLAR: POLYETHYLENE, YELLOW COLOR.

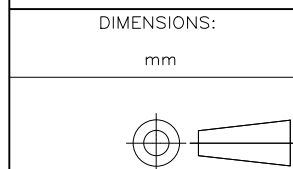
POWER	5.00mm	1, 13, 38, 50
GENERAL	4.25mm	ALL OTHER PINS
DETECT	3.50mm	25, 26
PIN TYPE	INTERFACE DIM. L	PIN NO.

AVAILABLE	REEL		GOLD FLASH	0.381um [15u"]	3-1734451-1
AVAILABLE				0.381um [15u"]	2-1734451-1
OBSOLETE		WITH	GOLD FLASH		1-1734451-3
OBSOLETE			MATTE-TIN 2.54um [100u"] MIN	0.762um [30u"]	1-1734451-2
AVAILABLE	TRAY			0.381um [15u"]	1-1734451-1
OBSOLETE				0.762um [30u"]	1-1734451-2
AVAILABLE		W/O		0.381um [15u"]	1734451-1
STATUS	PACKAGE	MYLAR	PLATING ON SOLDER TAILS	MIN. GOLD THICKNESS	PART No.

2. FINISH:

- 2.1 CONTACT: GOLD PLATED (SEE TABLE) ON CONTACT AREA, GOLD OR MATTE-TIN PLATING (SEE TABLE) ON SOLDER TAILS, 1.27um[50u"] MIN. NICKEL UNDERPLATED OVERALL
- 2.2 MOUNT EAR: 2.54um [100u"] MIN. MATTE-TIN PLATED OVERALL 1.27um [50u"] MIN. NICKEL UNDERPLATED OVERALL.
- 3. CONNECTOR REQUIRES USE OF 2 - SIZE M2 SCREWS FOR FASTENING TO PRINTED CIRCUIT BOARD.
- 4. REFLOW SOLDER CAPABLE TO 260° PER TE CONNECTIVITY SPEC 109-201, CPMDOTOPM B.

THIS DRAWING IS A CONTROLLED DOCUMENT.



DIMENSIONS:	TOLERANCES UNLESS OTHERWISE SPECIFIED:
mm	
0 PLC	± -
1 PLC	± 0.3
2 PLC	± 0.2
3 PLC	± 0.15
4 PLC	± -
ANGLES	± 3'

MATERIAL SEE NOTE FINISH SEE NOTE

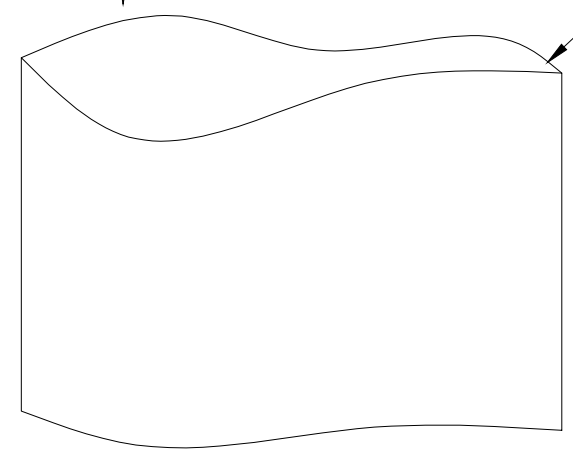
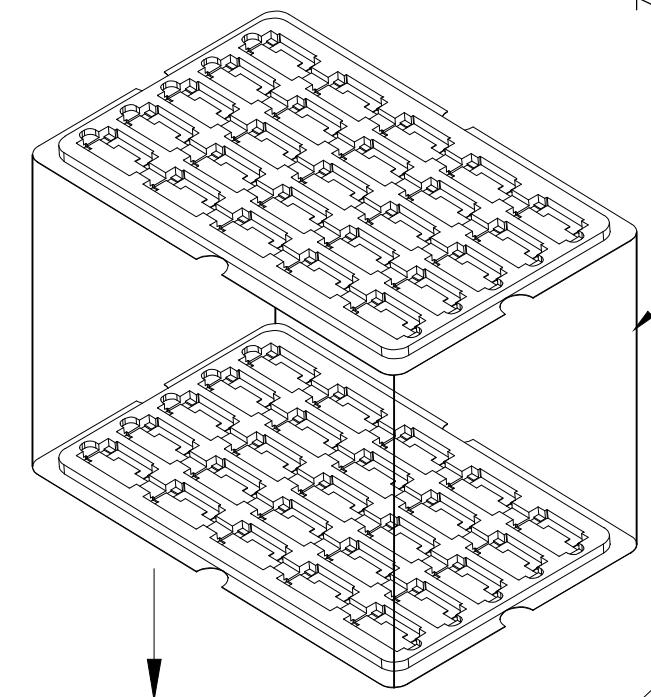
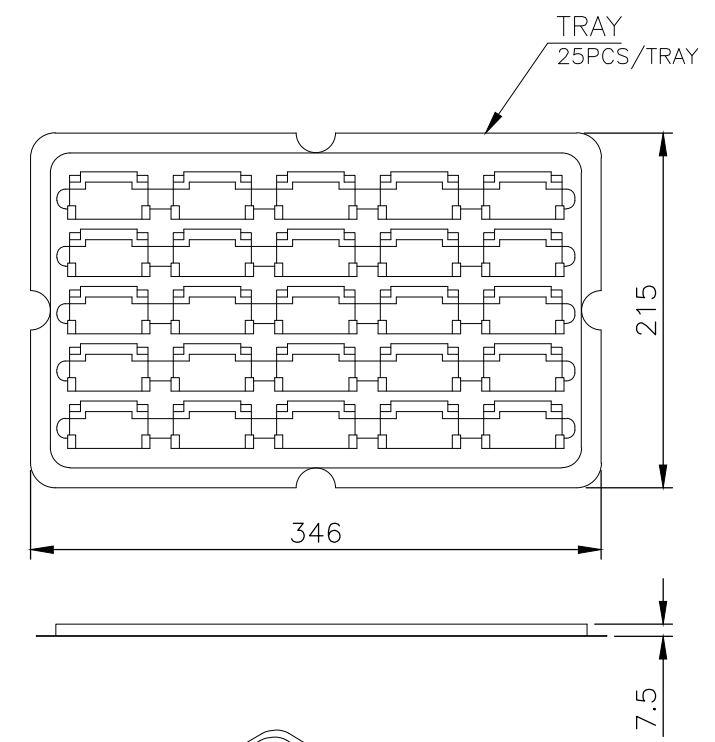
DWN	S.CH IEN	21JAN2017
CHK	S.HOU	21JAN2017
APVD	W.KODAWA	21JAN2017
PRODUCT SPEC	108-57134	
APPLICATION SPEC	-	
WEIGHT	2.52 GRAMS	
CUSTOMER DRAWING		

NAME		COMPACT FLASH CARD CONNECTOR HEADER ASSEMBLY, 50 POS TOP MOUNT, SMT TYPE, H=4.0mm			
SIZE	CAGE CODE	DRAWING NO	RESTRICTED TO		
A3	00779	C-1734451	-		
SCALE	1:1	SHEET	1 OF 3	REV	F

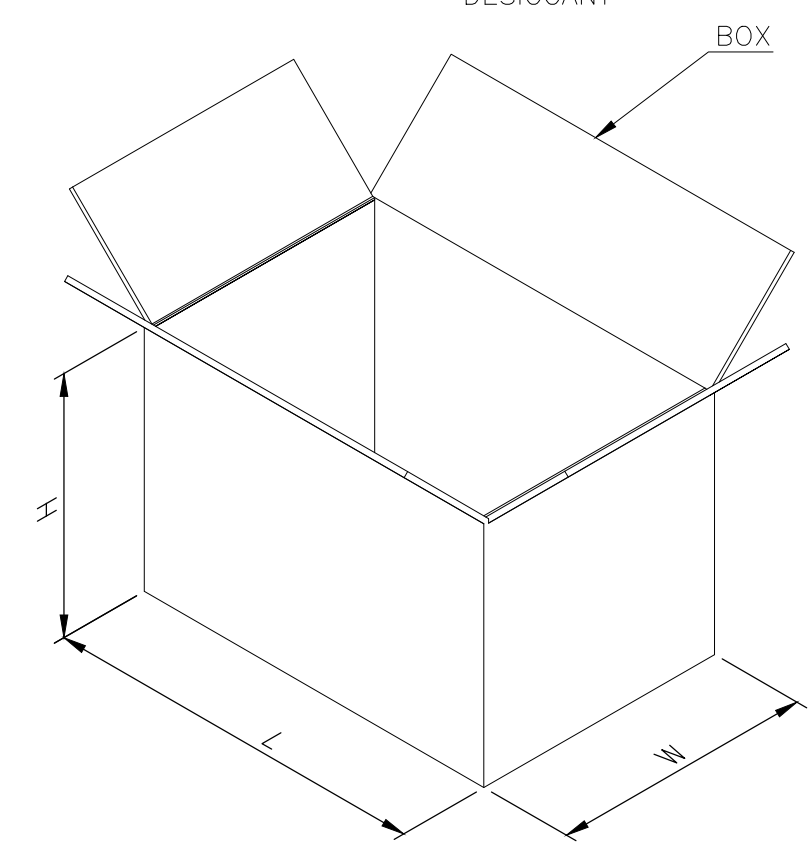


THIS DRAWING IS UNPUBLISHED. RELEASED FOR PUBLICATION
 © COPYRIGHT - TE Connectivity ALL RIGHTS RESERVED.

REVISIONS					
P	LTR	DESCRIPTION	DATE	DWN	APVD
-	-	SEE SHEET 1	-	-	-



- NOTES :
- MATERIAL :
 TRAY : PS.
 BAG : PE
 BOX : CORRUGATED FIBERBOARD.
 - DIMENSION :
 TRAY : L=346mm, W=215mm, H=7.5mm
 BAG : L=600mm, W=550mm, THICKNESS=0.1mm
 BOX : L=356mm, W=225mm, H=292mm
 - EACH BAG SHALL BE INCLUDED:
 * DESICCANT



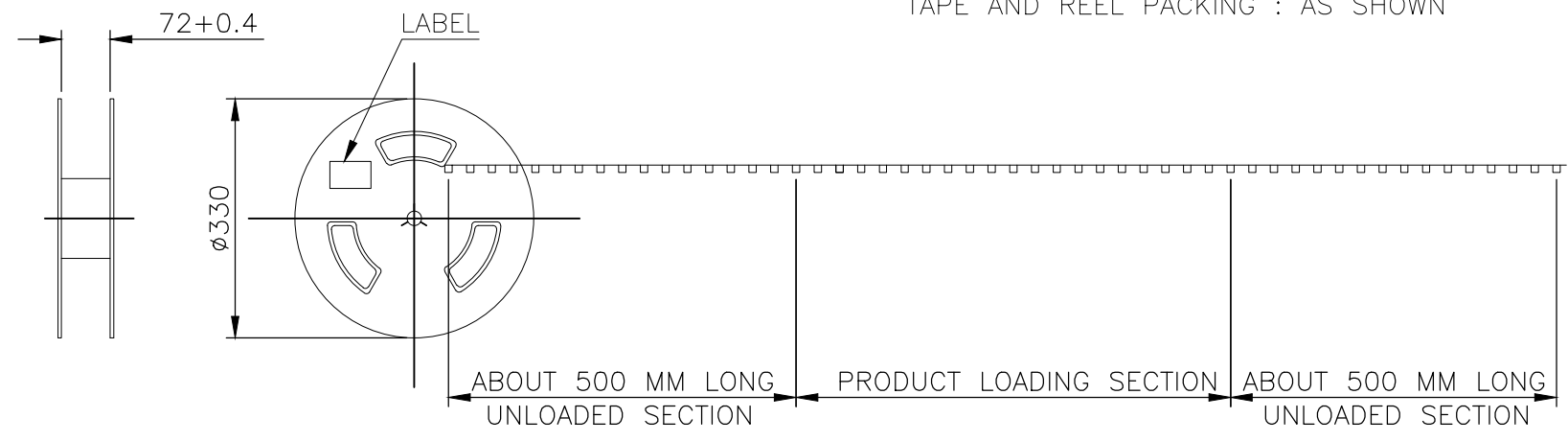
5.45 Kg	2.51 Kg	25	40	1000	1-1734451-1
					1734451-1
GROSS WEIGHT	NET WEIGHT	PCS/TRAY	TRAY/BOX	PCS/BOX	PART NUMBER

THIS DRAWING IS A CONTROLLED DOCUMENT.		DWN S.CHIENT 21JAN2017	STE TE Connectivity		
DIMENSIONS: mm		CHK S.HOU 21JAN2017			
TOLERANCES UNLESS OTHERWISE SPECIFIED:		APVD W.KODAWA 21JAN2017	NAME		
0 PLC ± -		PRODUCT SPEC	COMPACT FLASH CARD CONNECTOR		
1 PLC ± 0.3		108-57134	HEADER ASSEMBLY, 50 POS		
2 PLC ± 0.2		APPLICATION SPEC	TOP MOUNT, SMT TYPE, H=4.0mm		
3 PLC ± 0.15		-	SIZE	CAGE CODE	DRAWING NO
4 PLC ± -		WEIGHT 2.52 GRAMS	A3	00779	C=1734451
ANGLES ± 3°		CUSTOMER DRAWING	SCALE 1:1	SHEET 2 OF 3	REV F
MATERIAL SEE NOTE	FINISH SEE NOTE				RESTRICTED TO -

THIS DRAWING IS UNPUBLISHED. RELEASED FOR PUBLICATION
 © COPYRIGHT - TE Connectivity ALL RIGHTS RESERVED.

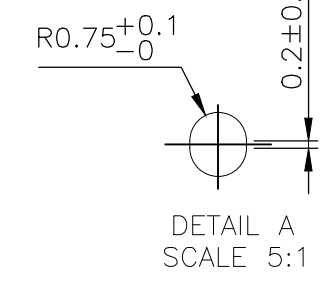
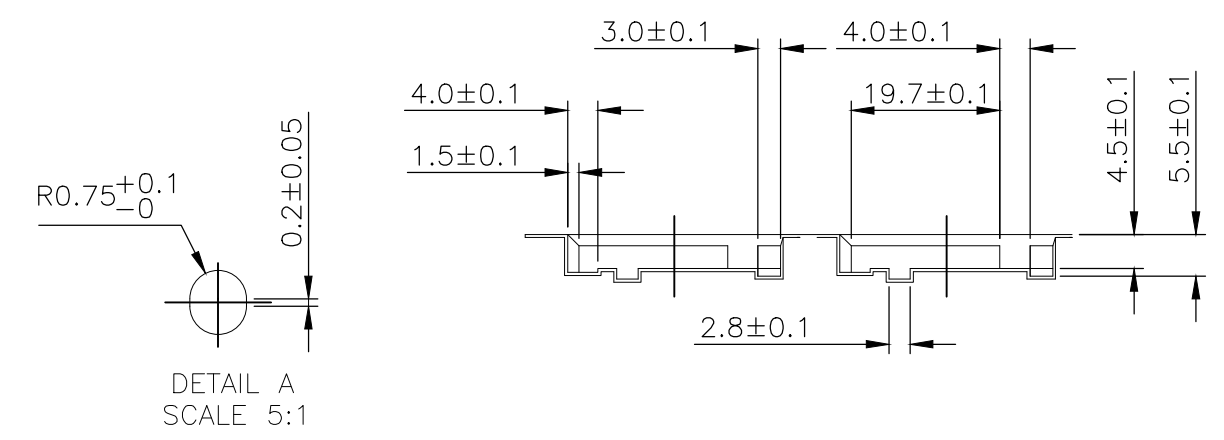
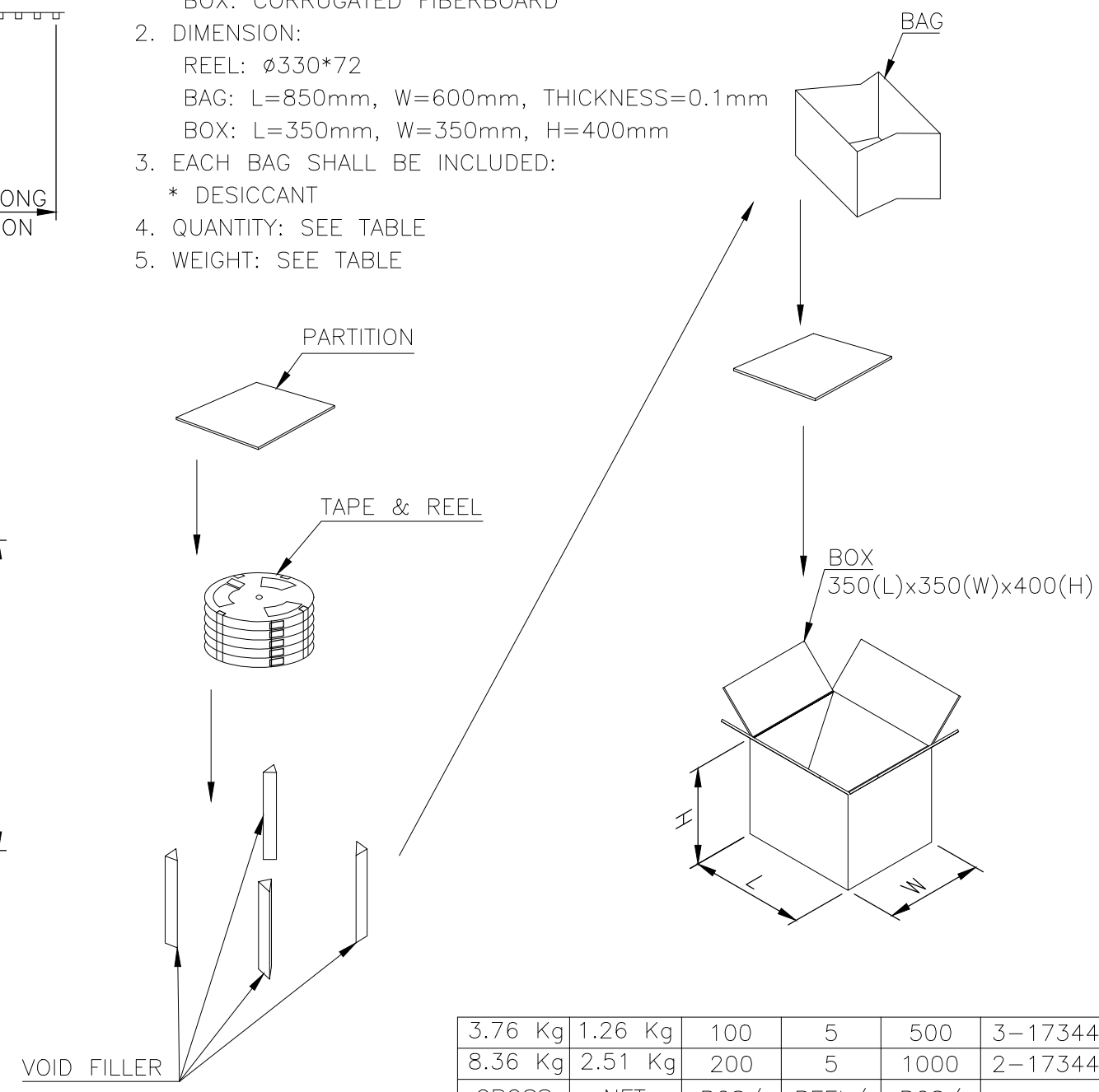
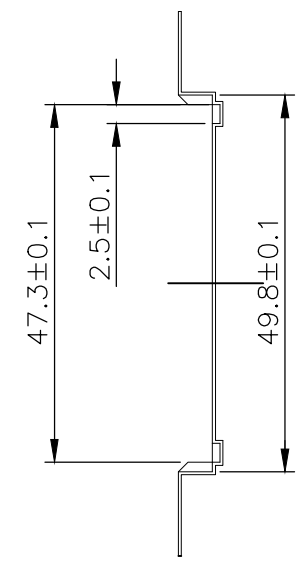
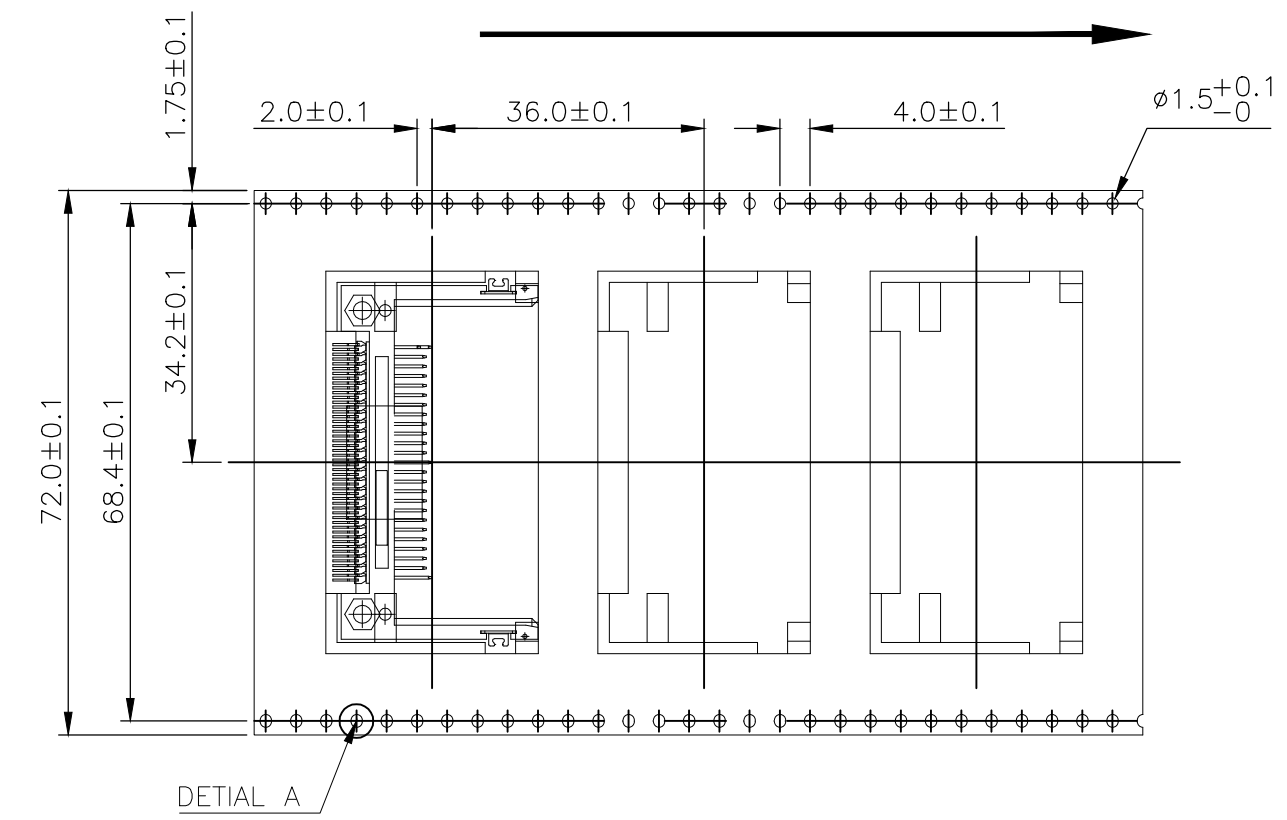
REVISIONS					
P	LTR	DESCRIPTION	DATE	DWN	APVD
-	-	SEE SHEET 1	-	-	-

TAPE AND REEL PACKING : AS SHOWN



NOTES:

- MATERIAL:
 REEL: PS.
 BAG: PE
 BOX: CORRUGATED FIBERBOARD
- DIMENSION:
 REEL: $\phi 330 \times 72$
 BAG: L=850mm, W=600mm, THICKNESS=0.1mm
 BOX: L=350mm, W=350mm, H=400mm
- EACH BAG SHALL BE INCLUDED:
 * DESICCANT
- QUANTITY: SEE TABLE
- WEIGHT: SEE TABLE



GROSS WEIGHT	NET WEIGHT	PCS/ REEL	REEL/ BOX	PCS/ BOX	PART NUMBER
3.76 Kg	1.26 Kg	100	5	500	3-1734451-1
8.36 Kg	2.51 Kg	200	5	1000	2-1734451-1

THIS DRAWING IS A CONTROLLED DOCUMENT.		DWN S.CH IEN 21JAN2017	TE Connectivity		
DIMENSIONS: mm		CHK S.HOU 21JAN2017			
TOLERANCES UNLESS OTHERWISE SPECIFIED:		APVD W.KODAWA 21JAN2017	NAME		
0 PLC ± -		PRODUCT SPEC	COMPACT FLASH CARD CONNECTOR		
1 PLC ± 0.3		108-57134	HEADER ASSEMBLY, 50 POS		
2 PLC ± 0.2		APPLICATION SPEC	TOP MOUNT, SMT TYPE, H=4.0mm		
3 PLC ± 0.15		-	SIZE	CAGE CODE	DRAWING NO
4 PLC ± -		WEIGHT 2.52 GRAMS	A3	00779	C=1734451
ANGLES ± 3'		CUSTOMER DRAWING	SCALE 1:1	SHEET 3 OF 3	REV F
MATERIAL SEE NOTE		FINISH SEE NOTE	RESTRICTED TO -		

Mouser Electronics

Authorized Distributor

Click to View Pricing, Inventory, Delivery & Lifecycle Information:

[TE Connectivity:](#)

[1734451-1](#)