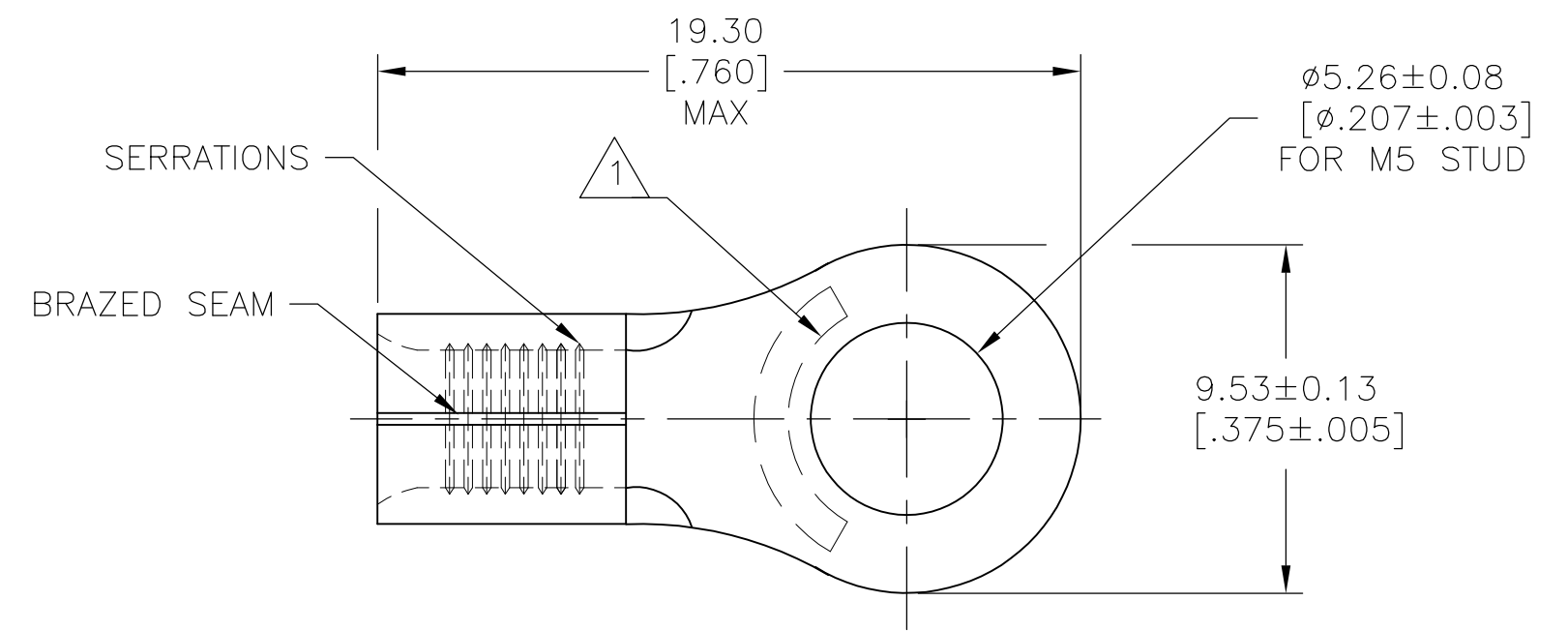
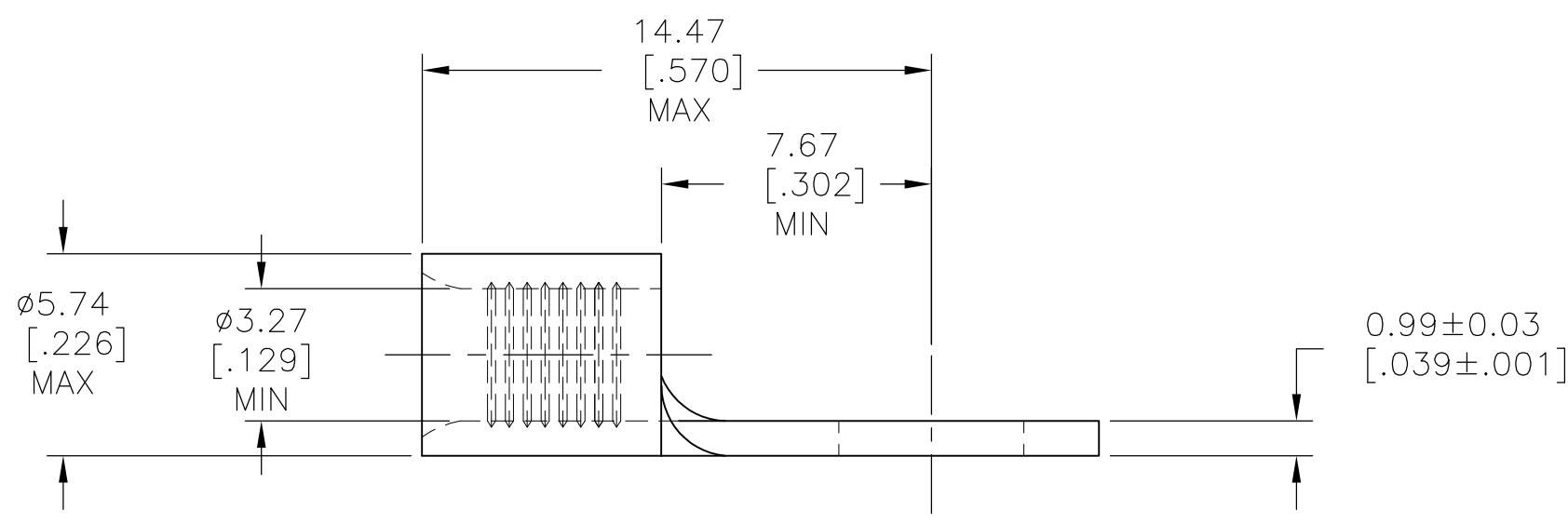


THIS DRAWING IS UNPUBLISHED. RELEASED FOR PUBLICATION
 © COPYRIGHT - By - ALL RIGHTS RESERVED.

LOC	DIST	REVISIONS					
		P	LTR	DESCRIPTION	DATE	DWN	APVD
-	-		A1	REDRAWN PER ECO-12-018155	30JAN13	KH	DR



- 1 STAMP AMP 12-10* APPROX AS SHOWN
- 2 MATERIAL: COPPER PER ASTM B152
- 3 FINISH: TIN PLATE PER ASTM B545



1000	LOOSE PIECE	130191
QTY	PACKAGE TYPE	PART NO

AMP INCORPORATED
CUSTOMER SERVICE SYSTEMS

FOR ADDITIONAL PRODUCT INFORMATION OR COPIES OF DRAWINGS AND TECHNICAL DOCUMENTS
 PRODUCT INFORMATION CENTER
 1-800-522-6752

FOR APPLICATION TOOLING INFORMATION
 TOOLING ASSISTANCE CENTER
 1-800-722-1111

FOR ORDER ENTRY
 1-800-526-5142

MAX RECOMMENDED OPERATING TEMPERATURE:
 170°C [338°F] MAX

VOLTAGE RATING:
 N/A

WIRE:
 2.62-6.64mm²[5,180-13,100]
 CIR MILLS
 SOLID OR STRANDED

THIS DRAWING IS A CONTROLLED DOCUMENT.

DIMENSIONS: mm [INCHES]

TOLERANCES UNLESS OTHERWISE SPECIFIED:

0 PLC	± -
1 PLC	± -
2 PLC	± -
3 PLC	± -
4 PLC	± -
ANGLES	± -

MATERIAL 2 FINISH 3

DWN KIRAN HOLAL 30JAN13
 CHK ROHDE DANIEL 30JAN13
 APVD ROHDE DANIEL 30JAN13

PRODUCT SPEC -
 APPLICATION SPEC -
 WEIGHT -

STE TE Connectivity

NAME: TERMINAL, RING TONGUE, SOLISTRAND, 12-10 AWG

SIZE	CAGE CODE	DRAWING NO	RESTRICTED TO
A3	00779	C-130191	-

CUSTOMER DRAWING SCALE 5:1 SHEET 1 OF 1 REV A1

Mouser Electronics

Authorized Distributor

Click to View Pricing, Inventory, Delivery & Lifecycle Information:

[TE Connectivity:](#)

[130191](#)