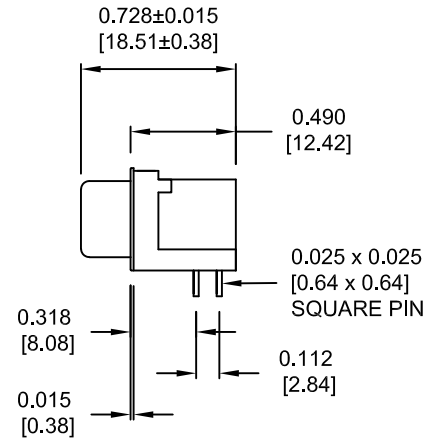
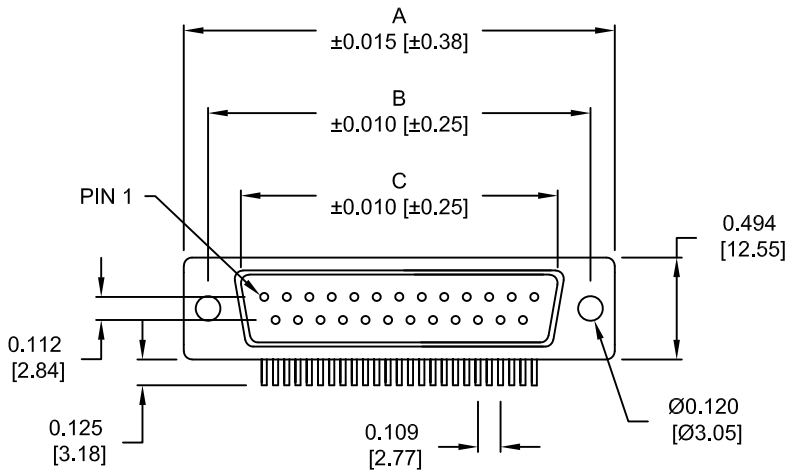
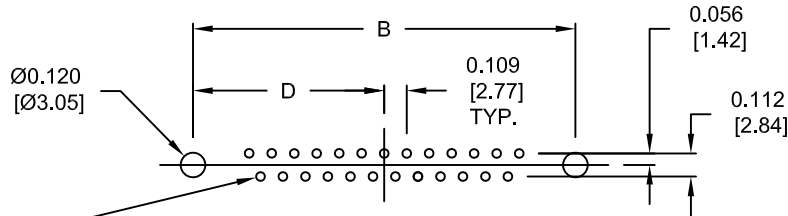
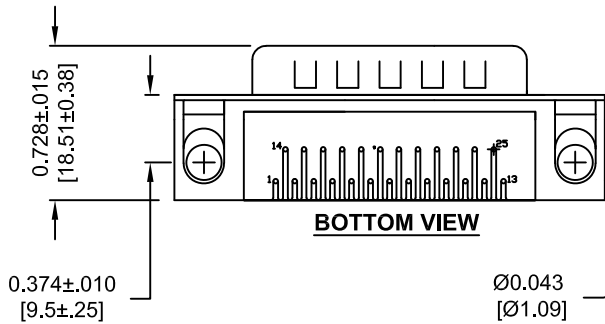


DESCRIPTION: IP66 - R/A - 0.318 - MALE - ECONOMY - D SUB

25-PIN SHOWN



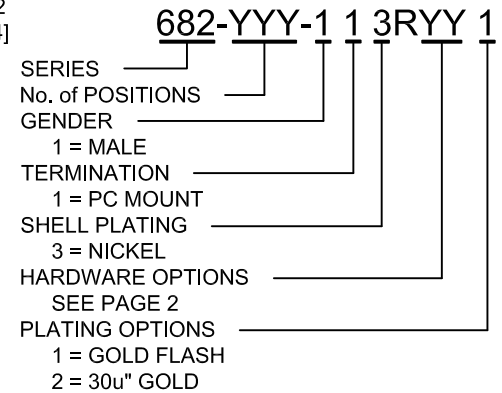
| No. OF PINS | DIMENSIONS | | | |
|-------------|------------|-------|-------|-------|
| | A | B | C | D |
| 009 | 1.213 | 0.984 | 0.666 | 0.492 |
| | 30.80 | 24.99 | 16.92 | 12.50 |
| 015 | 1.541 | 1.312 | 0.994 | 0.656 |
| | 39.14 | 33.32 | 25.25 | 16.66 |
| 025 | 2.088 | 1.852 | 1.534 | 0.926 |
| | 53.04 | 47.04 | 38.96 | 23.52 |



RECOMMENDED PCB LAYOUT

MEETS IP66 STANDARDS

(SEE PAGE 2 FOR SEALING DETAILS)



MATERIAL:

- SHELL: SPCC, NICKEL PLATED
- INSULATOR: UL 94V-O RATED, BLACK, 260° PA9T
- CONTACT: BRASS, GOLD PLATED
- RIVET: COPPER ALLOY, NICKEL PLATED
- SCREWLOCK: ZINC ALLOY, NICKEL PLATED
- BOARDLOCK: SPCC, TIN PLATED
- SEALING MATERIAL: F08 FLEXIBLE ADHESIVE

ELECTRICAL:

- CURRENT RATING: 5 AMPS
- DIELECTRIC STRENGTH: 1,000VAC rms
- INSULATION RESISTANCE: 1,000 MOHMS Min
- TEMPERATURE: -55°C TO +105°C

GENERAL TOLERANCES

± 0.006 [0.15]

HOLE: ± 0.005 [0.13]

DO NOT SCALE FROM DRAWING



THESE DRAWINGS AND SPECIFICATIONS ARE THE PROPERTY OF NorComp AND SHALL NOT BE REPRODUCED, COPIED OR USED AS THE BASIS FOR THE MANUFACTURE OF SALE OF APPARATUS WITHOUT WRITTEN PERMISSION.

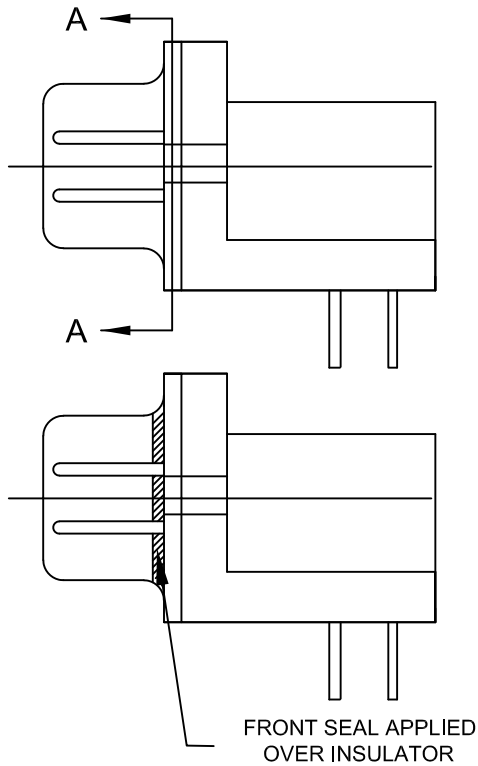
| | | | |
|-------------------------|------------|-------------------|----------|
| DRAWN: M. SIGMON | | DATE: 02-24-12 | |
| CHECKED: | | DATE: | |
| SCALE: 1 : 1 | SHEET 1 | OF 2 | REV 1 |
| DWG NO. 682-YYY-113RYY1 | | | |

RoHS COMPLIANT

NorComp

DESCRIPTION: IP66 - RIGHT ANGLE HARDWARE OPTIONS

SEALING PROCESS



DETAIL A-A

HARDWARE OPTIONS

| | | |
|--------------------------|--|-------------------------------------|
| | <p>0.141 ±0.020</p> <p>METAL SHELL WITH INSIDE GROUND STRAPS</p> | <p>METAL SHELL FORK BOARD LOCKS</p> |
| <p>4-40 FLUSH INSERT</p> | 17 | 53 BOARD LOCKS IN HOLE |

DO NOT SCALE FROM DRAWING



THESE DRAWINGS AND SPECIFICATIONS ARE THE PROPERTY OF NorComp AND SHALL NOT BE REPRODUCED, COPIED OR USED AS THE BASIS FOR THE MANUFACTURE OF SALE OF APPARATUS WITHOUT WRITTEN PERMISSION.

| | |
|---------------------|-------------------|
| DRAWN: M. SIGMON | DATE: 02-24-12 |
| CHECKED: | DATE: |

NorComp

| | | |
|-------------------------|-----------------|----------|
| SCALE: 1 : 1 | SHEET 2 OF 2 | REV 1 |
| DWG NO. 682-YYY-113RYY1 | | |

RoHS COMPLIANT

Mouser Electronics

Authorized Distributor

Click to View Pricing, Inventory, Delivery & Lifecycle Information:

[NorComp:](#)

[682-009-113R171](#) [682-009-113R531](#) [682-015-113R171](#) [682-015-113R531](#) [682-025-113R171](#) [682-025-113R531](#)