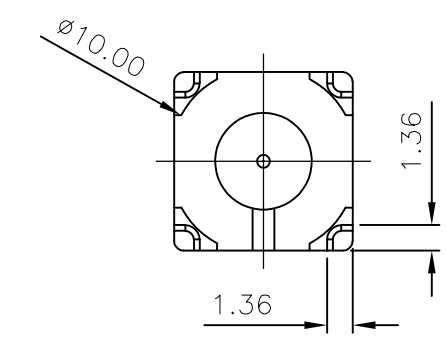
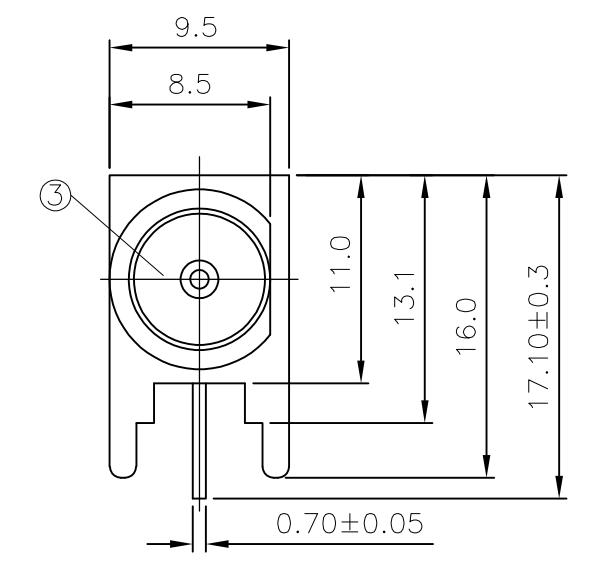
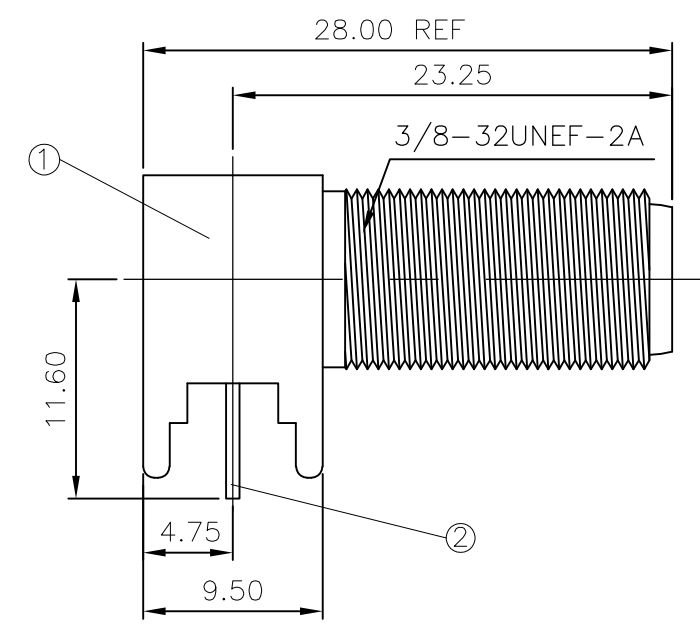
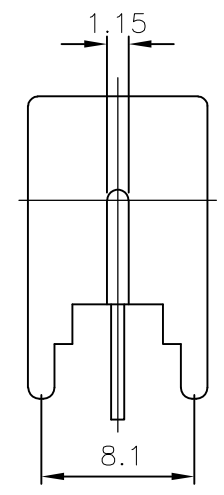


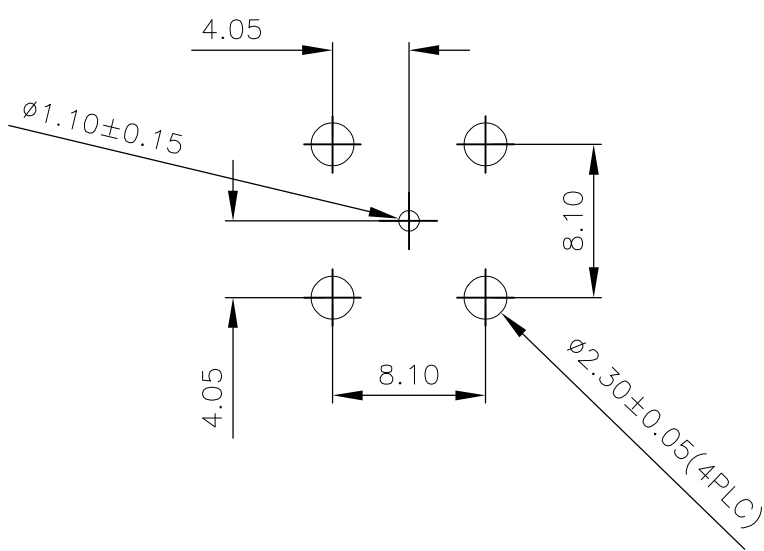
THIS DRAWING IS UNPUBLISHED. RELEASED FOR PUBLICATION MAR ,2004.
 © COPYRIGHT 2004 By - ALL RIGHTS RESERVED.

LOC	DIST	REVISIONS					
E	B	P	LTR	DESCRIPTION	DATE	DWN	APVD
		C		ECO-11-003575	15APR2011	RZ	MY

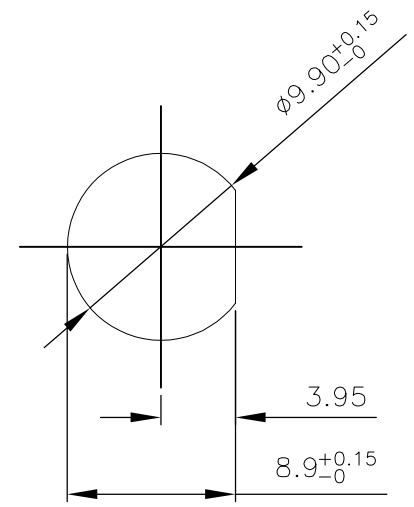
- NOTES
- ① PACKAGING: 50 PCS/TRAY, 20 TRAYS/CTN
 - ② PACKAGING: SINGLE PACK, 1PC/BAG, 100 BAGS/BOX, 10 BOXES/CTN
 - ③ TIN PLATING
 - ④ Ni PLATING
 - ⑤ PACKAGING: 100 PCS/BAG, 1BAG/BOX, 10 BOXES/CTN



RECOMMENDED PCB LAYOUT WITH MOUNTING POSTS



RECOMMENDED MOUNTING HOLE



					1	1	1	TPX	INSULATOR	3
					1	1	1	PHOS BRONZE ③	CONTACT	2
					1	1	1	ZINC ALLOY ④	BODY	1
					5--2	5--1	5--0	MATERIAL	DESCRIPTION	ITEM
					⑤	②	①			
QUANTITY PER ASSY							PARTS LIST			

THIS DRAWING IS A CONTROLLED DOCUMENT.

DIMENSIONS: mm	TOLERANCES UNLESS OTHERWISE SPECIFIED:	DWN ANSON MA 14FEB09	 TE Connectivity F SERIES CONNECTOR ELBOW JACK PCB
	0 PLC ± 0.5	CHK RITA ZUO 14FEB09	
	1 PLC ± 0.3	APVD BOB ZHAO 14FEB09	
	2 PLC ± 0.2	PRODUCT SPEC 108-112000	
	3 PLC ± -	APPLICATION SPEC -	NAME -
	4 PLC ± -	WEIGHT -	SIZE A3
	ANGLES ± -	CUSTOMER DRAWING	CAGE CODE 00779
MATERIAL -	FINISH -	SCALE NTS	DRAWING NO C-1634540
		SHEET 1 OF 1	RESTRICTED TO -
		REV C	

Mouser Electronics

Authorized Distributor

Click to View Pricing, Inventory, Delivery & Lifecycle Information:

[TE Connectivity:](#)

[5-1634540-0](#)