

MATERIALS:

PLUG MOLDING COMPOUND: L.C.P., BLACK

SLEEVE, PLUG BODY: BRASS, TIN OR GOLD PLATED

RING SLEEVE: BRASS, TIN OR GOLD PLATED

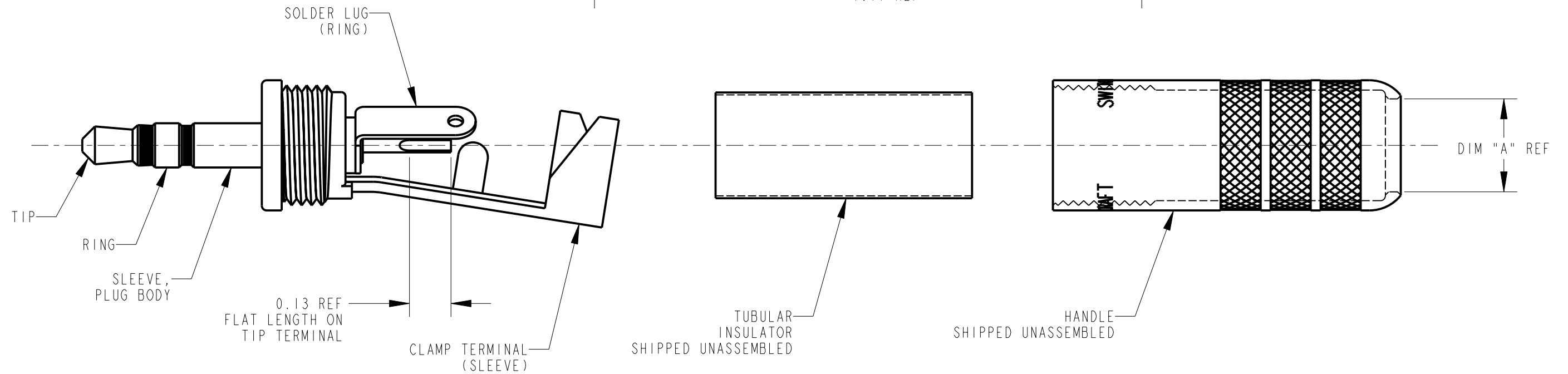
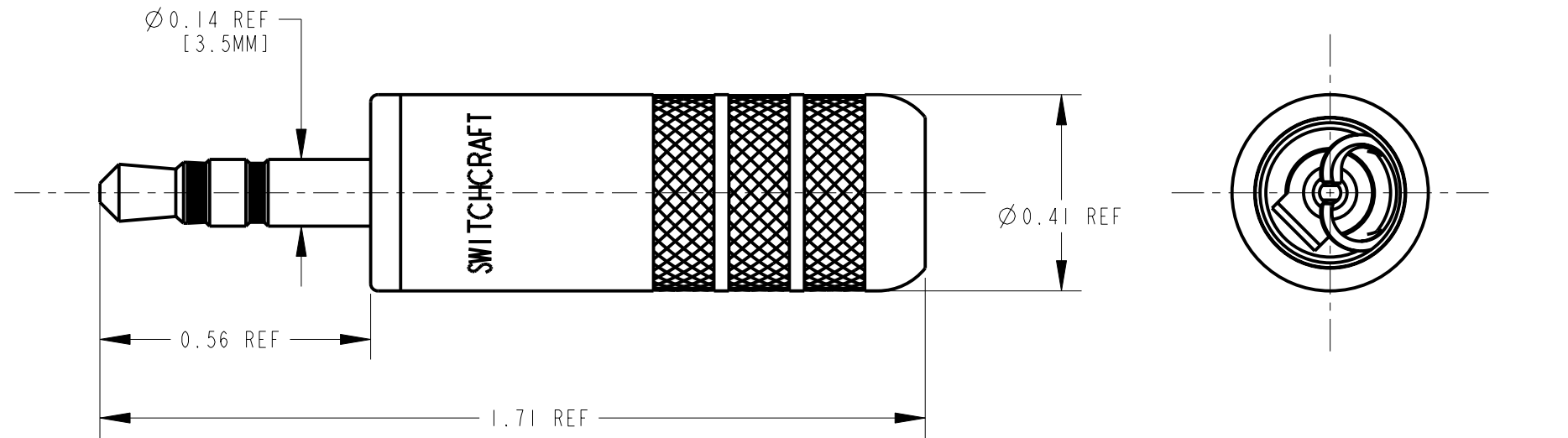
TIP ROD: BRASS, TIN OR GOLD PLATED

TUBULAR INSULATOR: MYLAR, TRANSLUCENT, SHIPPED UNASSEMBLED

E HANDLE: BRASS, NICKEL PLATED OR BLACK EPOXY, SHIPPED UNASSEMBLED

CLAMP TERMINAL: CRS, TIN PLATED

SOLDER LUG: BRASS, TIN PLATED



D

PART NUMBER	PLUG FINGER	HANDLE	DIM "A" CABLE DIA.
35HDNN	TIN	NICKEL	0.290
35HDNNS	TIN	NICKEL	0.175
35HDBAU	GOLD	BLACK	0.290
35HDBAUS	GOLD	BLACK	0.175
35HDNAU	GOLD	NICKEL	0.290
35HDNAUS	GOLD	NICKEL	0.175
35HDBN	TIN	BLACK	0.290
35HDBNS	TIN	BLACK	0.175

CUSTOMER DRAWING

REV	ECO NUMBER	DATE	BY	APVD
E	24122	3-11-02	TJK	TJK
D	23193	2-1-00	DA	TJK
C	22688	2-1-00	DA	TJK
B	22613	10-7-99	DA	DK
A	22384	10-7-99	DA	DK

★ STAR SYMBOL DENOTES CRITICAL DIMENSION

UNLESS OTHERWISE SPECIFIED

1. ALL DIMENSIONS IN INCHES
 - TWO PLACE DECIMALS ±0.01
 - THREE PLACE DECIMALS ±0.005
 - ANGLES ±1°
 - ALL DIA. CONCENTRIC WITHIN 0.005 T.I.R.

2. FEATURES ON THE SAME CENTERLINE MUST BE ALIGNED WITHIN ±0.002

3. REMOVE ALL BURRS

DO NOT SCALE DRAWING

THIS DRAWING DESCRIBES A DESIGN CONSIDERED PROPRIETARY IN NATURE, DEVELOPED AND MANUFACTURED BY SWITCHCRAFT INC. AND IS RELEASED ON A CONFIDENTIAL BASIS FOR IDENTIFICATION PURPOSES ONLY.

SIZE	WIDTH	MULT	LBS/M	TEMPER
FINISH		MATERIAL		
SPEC No.		SPEC No.		
FIRST USED ON		SCALE		
		3:1		
DATE DRAWN	BY	CHKD	APVD	
07-Oct-99	DA	DK	DK	
		11-9-99	11-9-99	
NAME			PART No.	REV
3.5mm STEREO PLUG			35HD SERIES	E



Mouser Electronics

Authorized Distributor

Click to View Pricing, Inventory, Delivery & Lifecycle Information:

Switchcraft:

[35HDBAU](#) [35HDBN](#) [35HDNN](#) [35HDBAUS](#) [35HDBAUSPKG](#) [35HDBNS](#) [35HDNAU](#) [35HDNAUS](#) [35HDNNPKG](#)
[35HDNNS](#) [35HDNNSPKG](#)