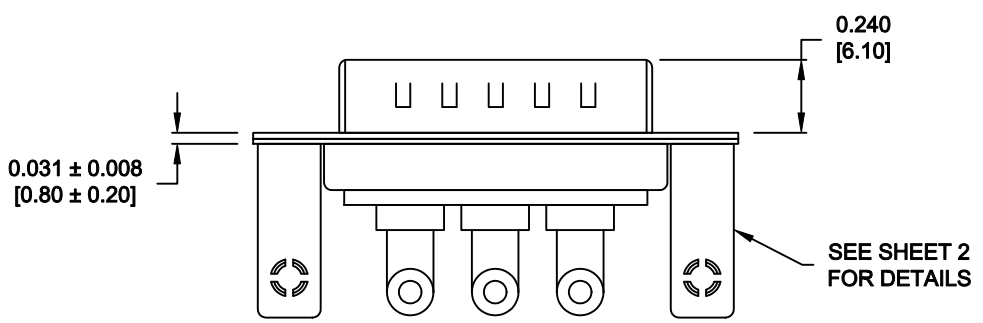
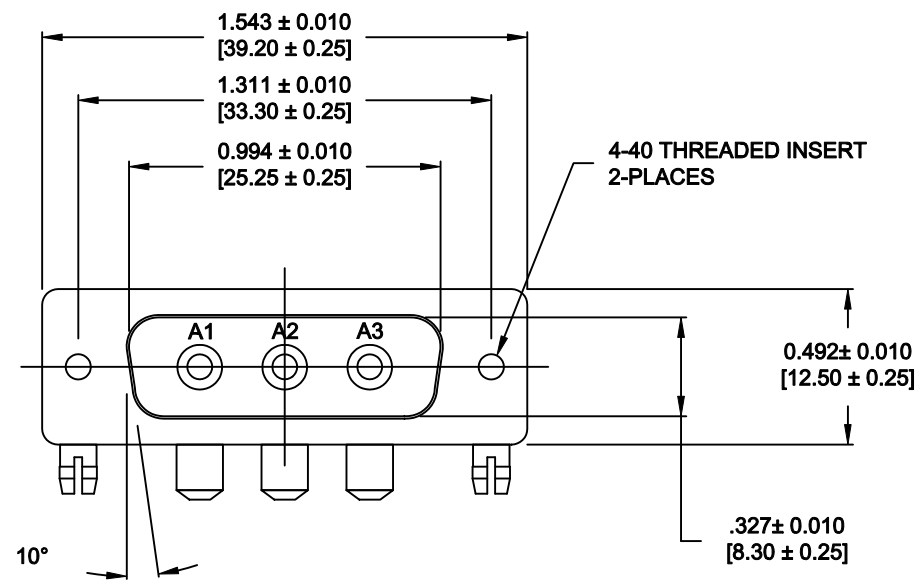


DESCRIPTION: POWER - RIGHT ANGLE - MALE - MACHINED

SPECIFICATIONS:


- ELECTRICAL:**
 INSULATOR RESISTANCE: 5 G OHMS Min.
 DIELECTRIC WITHSTANDING: 1,000VAC r.m.s.
 OPERATING TEMPERATURE: -55° C ~ +155° C
 CONTACT RESISTANCE: 1.0 Milliohms Max.
 POWER PINS: 40 AMPS
- MECHANICAL:**
 CONTACT INSERTION FORCE: 4.5 Kg Max.
 CONTACT SEPARATOR FORCE: 0.3Kg Min.
- MATERIALS:**
 CONTACTS: COPPER ALLOY
 INSULATOR: PBT UL94V-0 RATED, BLK
 230°C PROCESS TEMP.
 SHELL: STEEL
 BOARD LOCK: BRASS, NICKEL PLATED
 CINCHNUT: BRASS, NICKEL PLATED
 BRACKET: STEEL, NICKEL PLATED
- FINISH:**
 SHELL: NICKEL
 CONTACTS: FULL GOLD FLASH



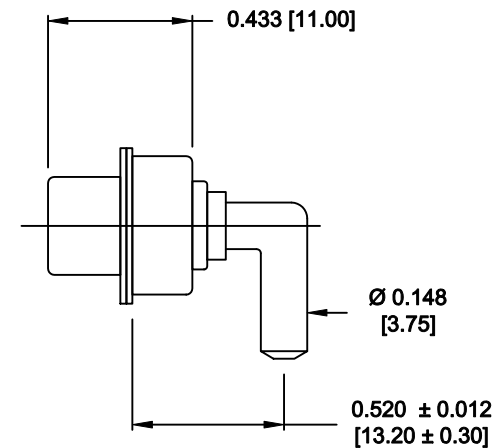
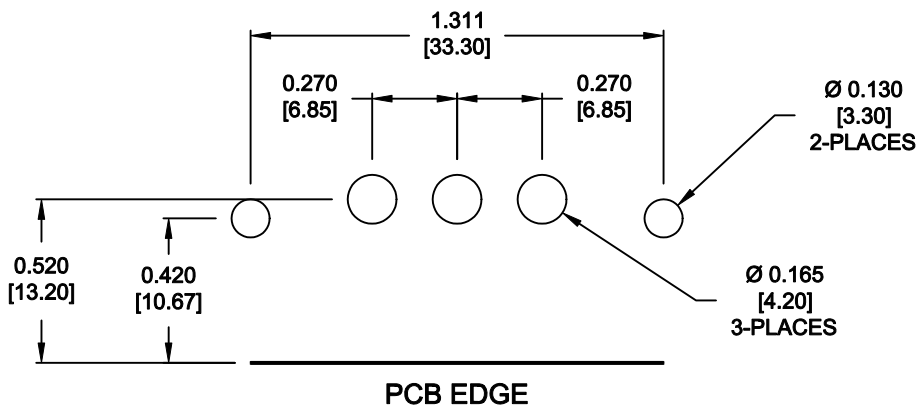
684M3W3103L461

46 = 4-40 INSERTS / BOARD LOCKS

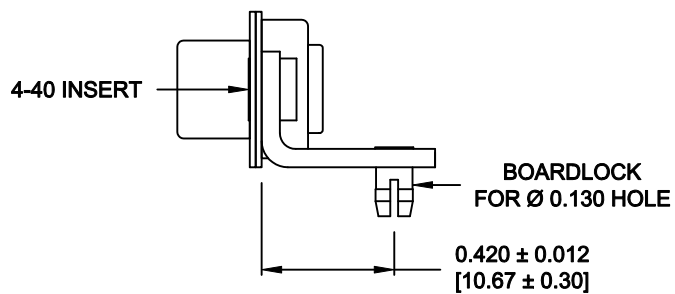
RoHS COMPLIANT

	THESE DRAWINGS AND SPECIFICATIONS ARE THE PROPERTY OF NorComp AND SHALL NOT BE REPRODUCED, COPIED OR USED AS THE BASIS FOR THE MANUFACTURE OR SALE OF APPARATUS WITHOUT WRITTEN PERMISSION.		DRAWN: P. JENKINS	DATE: 8-22-11
			CHECKED:	DATE:
NorComp	SCALE: 1.5 = 1	SHEET 1 OF 2	REV 3	
	DWG NO. 684M3W3103L461			

NOTE:
POWER CONTACTS COME
PRE-LOADED INTO INSULATORS




40 AMP POWER CONTACT



MOUNTING HARDWARE

RoHS COMPLIANT

	THESE DRAWINGS AND SPECIFICATIONS ARE THE PROPERTY OF NorComp AND SHALL NOT BE REPRODUCED, COPIED OR USED AS THE BASIS FOR THE MANUFACTURE OR SALE OF APPARATUS WITHOUT WRITTEN PERMISSION.		DRAWN: P. JENKINS	DATE: 8-22-11	
			CHECKED:	DATE:	
NorComp		SCALE: 1.5 = 1	SHEET 2	OF 2	REV 3
		DWG NO. 684M3W3103L461			

Mouser Electronics

Authorized Distributor

Click to View Pricing, Inventory, Delivery & Lifecycle Information:

[NorComp:](#)

[684M3W3103L461](#)