

SAFETY ORGANIZATIONS

THIS FILTER HAS BEEN FORMALLY RECOGNIZED, CERTIFIED OR APPROVED BY THE LISTED AGENCY. THEREFORE, ALL TEST/REQUIREMENTS SPECIFIED IN THE LATEST REVISION OF THE FOLLOWING AGENCY STANDARDS HAVE BEEN MET:

UL RECOGNIZED: UL 1283 SEV APPROVED: IEC 939
 CSA CERTIFIED: CSA 22.2, # 8 SEMKO APPROVED: SEN 432901
 VDE APPROVED: VDE 565-3

OPERATING SPECIFICATIONS

LINE CURRENT/VOLTAGE: 10 AMP, 120/250 VAC,
 10 AMP/40°C, 250 VAC

LINE FREQUENCY: 50-60Hz

MAXIMUM LEAKAGE CURRENT,
 EACH LINE TO GROUND: 0.22 mA @ 120V 60Hz
 0.38 mA @ 250V 50Hz

OPERATING AMBIENT TEMP. RANGE: -10°C TO +40°C @ RATED CURRENT, I_r.

IN AN AMBIENT, T₀, HIGHER THAN 40°C, THE MAXIMUM OPERATING CURRENT, I₀, IS AS FOLLOWS:

$$I_0 = I_r \sqrt{\frac{85 - T_0}{45}}$$

RELIABILITY SPECIFICATIONS:

STORAGE TEMPERATURE: -40°C TO +85°C
 HUMIDITY: 21 DAYS @ 40°C 95% RH.
 CURRENT OVERLOAD TEST: 6 TIMES I_r FOR 8 SECONDS

TEST SPECIFICATIONS:

INDUCTANCE: 0.35 mH NOMINAL
 CAPACITANCE: (MEASURED @ 1KHz, 0.250VAC MAX., 25°C±1°C)
 LINE TO GROUND: 0.0053 µF ±20%
 LINE TO LINE: 0.0105 µF ±20%
 DISCHARGE RESISTOR: 1.5 MΩ
 L/G AND L/L I.R.
 NO DISCHARGE RESISTOR: 6000MΩ (MIN.) @ 100VDC, 20°C AND 50% RH

CATALOG # 10EEA1

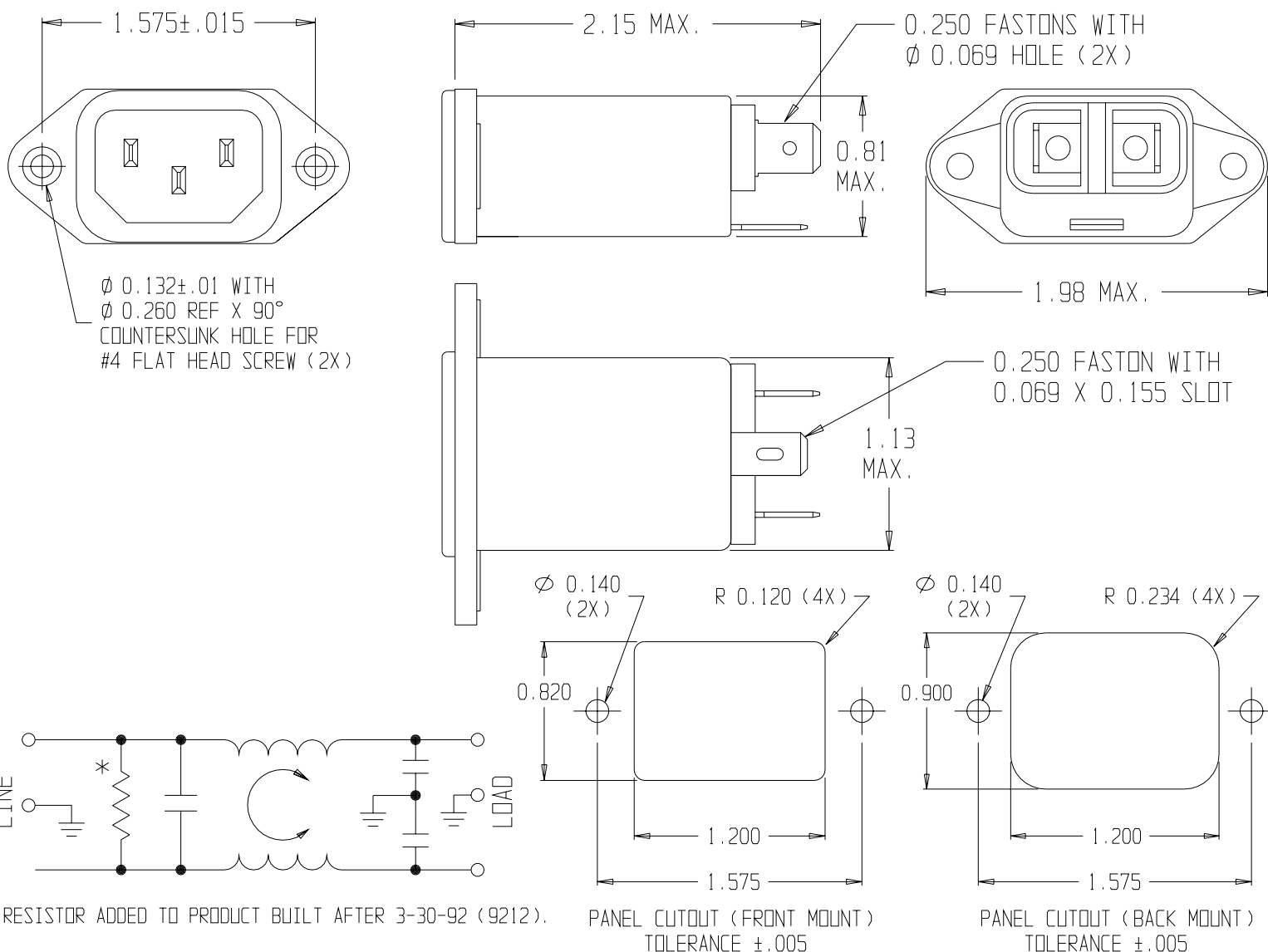
ECN #	APPRVD.	DATE

RECOMMENDED RECEIVING INSPECTION HIPOT:

LINE TO GROUND: 1500VAC OR 2250VDC FOR 1 MINUTE
 LINE TO LINE: 1450VDC FOR 1 MINUTE

FILTER APPROVAL:

THE BEST WAY TO SELECT AND QUALIFY A FILTER IS FOR YOUR ENGINEERING TO TEST THE UNIT IN YOUR EQUIPMENT.



50Ω - 50Ω (MINIMUM) INSERTION LOSS

FREQUENCY MHz	.05	.10	.15	.50	1	1.5	5	10	30
COMMON dB	1	3	5	14	20	-	32	38	47
DIFF. dB				1	4	5	5	30	40

THIRD ANGLE PROJECTION

UNLESS OTHERWISE SPECIFIED, TOLERANCE TO BE ±.025
 MATERIAL & FINISH: AS SUPPLIED

This document is proprietary to CORCOM INC. and is not to be reproduced nor used for manufacturing purposes except on CORCOM'S prior written consent.

844 E. ROCKLAND RD. LIBERTYVILLE IL 60048

POWER LINE FILTER

CAD FILE: C:\CK\CD\10EEA100

SCALE: NTS	DATE: 3/24/97	CATALOG NO.	REV.
DRW. BY: JF	DRIG: KAW	10EEA1	00

Mouser Electronics

Authorized Distributor

Click to View Pricing, Inventory, Delivery & Lifecycle Information:

[TE Connectivity:](#)

[10EEA1](#)