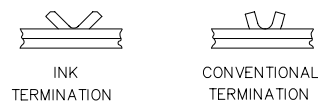
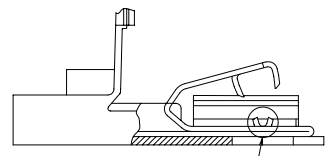
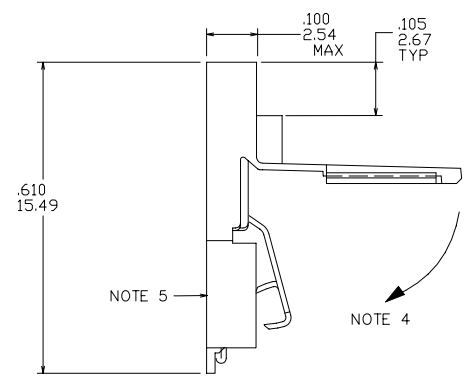
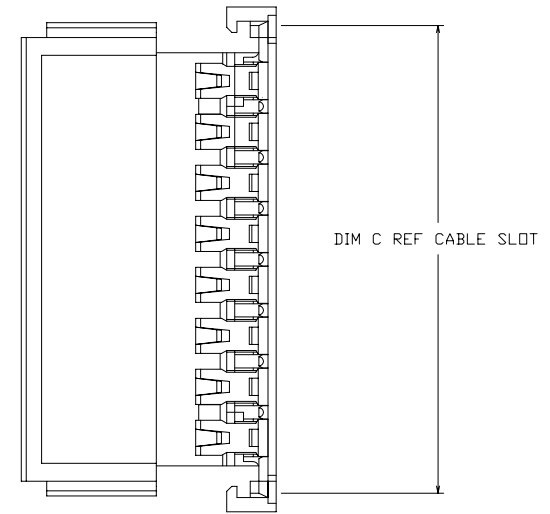
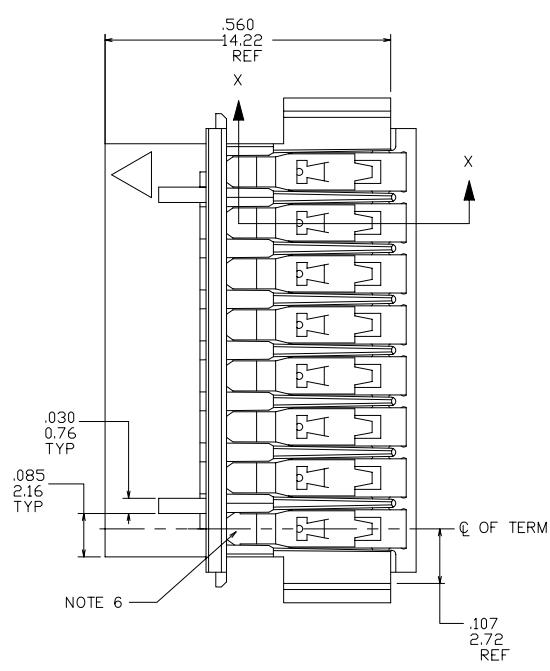
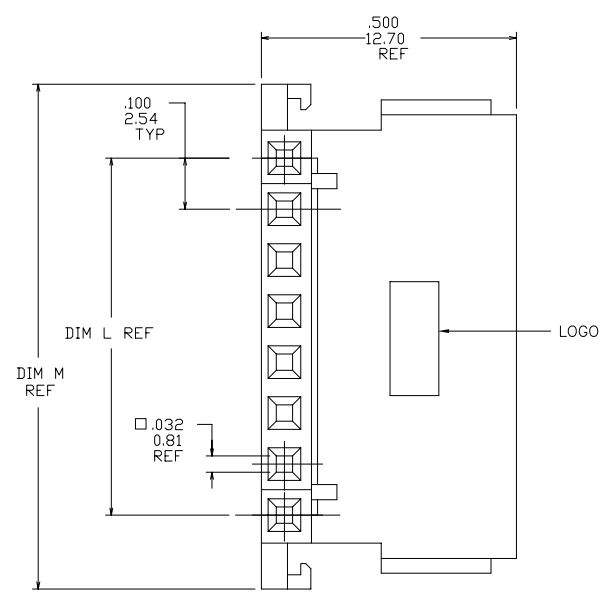




FCIconnect.com

Copyright FCI

form: A3



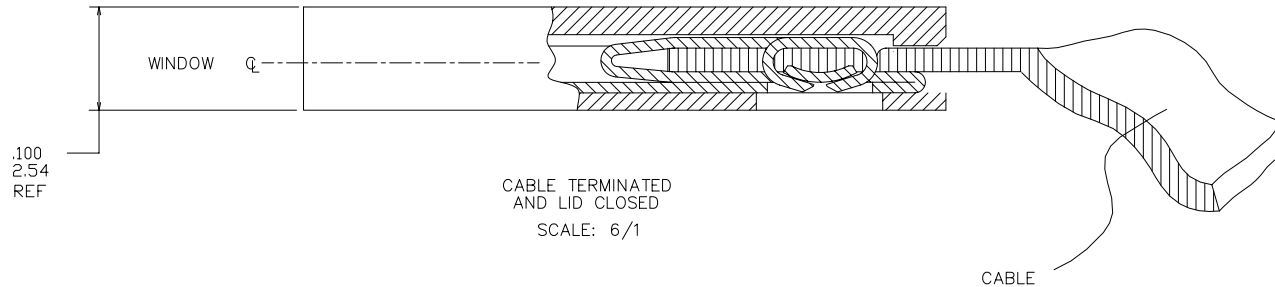
SECTION X-X

DETAIL Z SCALE 6/1

mat'l. code		surface ISO 1302 ✓		tolerance ISO 406 ISO 1101		projection		product family CLINCHER	
ltr		ecn no dr		date		tolerances unless otherwise specified		title	
A	v03-0420	TAB	4/22/03	angles	linear	.XX±.01/.3	INCH/MM	CLINCHER™ RECEPTACLE ASSEMBLY W/KEY	
B	M05-0087	MHT	6/14/05	0'±2'		.xxx±.005/.13		scale 3:1	
C	M06-0001	MHT	1/03/05			.xxxx±.0020/.051	sheet 1 of 6 size		
D	M06-0233	AGS	06/13/06	dr	T. BRUNGARD	4/22/03	FCI	dwg no 10027313 A3	
E	M07-0170	MHT	4/02/07	enr	H. SUNDY	4/22/03		type Product Customer Drawing	
				chr	H. SUNDY	4/22/03			
sheet index		revision sheet		E	E	E	E	E	E
		1	2	3	4	5	6		

PRODUCT NUMBER  
SEE TABLE

PLATING AVAILABLE		
PLATING CODE	TERMINAL	SPRING
1	100u"/2.54u MIN. THICK PURE TIN	10u"/.25u MIN. THICK PURE TIN
2	30u"/.76u MIN. GOLD STRIPE IN BOX AREA	3u"/.08u MIN. GOLD OVER 50u"/1.27u MIN. NICKLE



NOTES:

- ① MOLDING MAT'L: POLYPROPYLENE, FLAME RETARDANT PER UL 94V-0. COLOR: BLUE.
- ② TERMINAL MAT'L: 1/2 HARD CuNi ALLOY, UNS-C72500. PLATING: SEE TABULATION AND PLATING TABLE.
- ③ SPRING MAT'L: 1/2 HARD BeCu ALLOY, UNS-C17200. PLATING: SEE TABULATION AND PLATING TABLE.
- ④ LATCH SWINGS CLOSED AFTER TERMINATION MAINTAINING A MAX OVER ALL HEIGHT OF .100/2.54
- ⑤ LABEL IN THIS AREA P/N AND DATE LOT CODE (WEEK AND YEAR) ON DASH No.-067 AND -167 ONLY.
- ⑥ KNURL MARK INDICATES FOR USE WITH INK TERMINATION. CONSULT WITH FCI TECHNICAL REPRESENTATIVE FOR SPECIFIC APPLICATIONS.
- ⑦ ADD "LF" SUFFIX AT THE END OF PART NUMBER FOR LEAD FREE OPTION.
- ⑧ THIS PRODUCT MEETS EUROPEAN UNION DIRECTIVES AND OTHER COUNTRY REGULATION AS DESCRIBED IN GS-22-008.
- ⑨ THE PRODUCT IS NOT INTENDED TO BE EXPOSED TO A MANUFACTURING SOLDER PROCESS

PRODUCT NUMBER  
10027313-XXXXLF

- LEAD FREE OPTION  
NOTE 7,8
- NO OF POSITIONS  
AND PLATING
- BASE PART NUMBER

mat'l. code		surface ISO 1302 ✓		tolerance ISO 406 ISO 1101		projection ⊕		product family CLINCHER	
ltr	ecn	no	dr	date	tolerances unless otherwise specified		title		CLINCHER™ RECEPTACLE ASSEMBLY W/KEY
E					angles	linear	INCH/MM		
					0'±2'		scale 1:1		
					dr	T. BRUNGARD	4/22/03	dwg no	
					enr	H. SUNDY	4/22/03	sheet 2 of 6 size	
					chr	H. SUNDY	4/22/03	10027313 A3	
					appd	H. SUNDY	4/22/03	type Product Customer Drawing	
sheet	revision								
index	sheet								

PRODUCT NO.	NO. OF POSITIONS	DIM. L ENGLISH	DIM. L METRIC	DIM. M ENGLISH	DIM. M METRIC	DIM. C ENGLISH	DIM. C METRIC	PLATING CODE	TERMINATION NOTE 6
10027313-006	6	0.500	12.70	0.790	20.07	0.715	18.16	1	CONVENTIONAL
10027313-007	7	0.600	15.24	0.890	22.61	0.815	20.70	1	CONVENTIONAL
10027313-008	8	0.700	17.78	0.990	25.15	0.915	23.24	1	CONVENTIONAL
10027313-009	9	0.800	20.32	1.090	27.69	1.015	25.78	1	CONVENTIONAL
10027313-010	10	0.900	22.86	1.190	30.23	1.115	28.32	1	CONVENTIONAL
10027313-011	11	1.000	25.40	1.290	32.77	1.215	30.86	1	CONVENTIONAL
10027313-012	12	1.100	27.94	1.390	35.31	1.315	33.40	1	CONVENTIONAL
10027313-013	13	1.200	30.48	1.490	37.85	1.415	35.94	1	CONVENTIONAL
10027313-014	14	1.300	33.02	1.590	40.39	1.515	38.48	1	CONVENTIONAL
10027313-015	15	1.400	35.56	1.690	42.93	1.615	41.02	1	CONVENTIONAL
10027313-016	16	1.500	38.10	1.790	45.47	1.715	43.56	1	CONVENTIONAL
10027313-017	17	1.600	40.64	1.890	48.01	1.815	46.10	1	CONVENTIONAL
10027313-018	18	1.700	43.18	1.990	50.55	1.915	48.64	1	CONVENTIONAL
10027313-019	19	1.800	45.72	2.090	53.09	2.015	51.18	1	CONVENTIONAL
10027313-020	20	1.900	48.26	2.190	55.63	2.115	53.72	1	CONVENTIONAL
10027313-021	21	2.000	50.80	2.290	58.17	2.215	56.26	1	CONVENTIONAL
10027313-022	22	2.100	53.34	2.390	60.71	2.315	58.80	1	CONVENTIONAL
10027313-023	23	2.200	55.88	2.490	63.25	2.415	61.34	1	CONVENTIONAL
10027313-024	24	2.300	58.42	2.590	65.79	2.515	63.88	1	CONVENTIONAL
10027313-025	25	2.400	60.96	2.690	68.33	2.615	66.42	1	CONVENTIONAL
10027313-026	26	2.500	63.50	2.790	70.87	2.715	68.96	1	CONVENTIONAL
10027313-027	27	2.600	66.04	2.890	73.41	2.815	71.50	1	CONVENTIONAL
10027313-028	28	2.700	68.58	2.990	75.95	2.915	74.04	1	CONVENTIONAL
10027313-029	29	2.800	71.12	3.090	78.49	3.015	76.58	1	CONVENTIONAL
10027313-030	30	2.900	73.66	3.190	81.03	3.115	79.12	1	CONVENTIONAL
10027313-031	31	3.000	76.20	3.290	83.57	3.215	81.66	1	CONVENTIONAL
10027313-032	32	3.100	78.74	3.390	86.11	3.315	84.20	1	CONVENTIONAL
10027313-033	33	3.200	81.28	3.490	88.65	3.415	86.74	1	CONVENTIONAL
10027313-034	34	3.300	83.82	3.590	91.19	3.515	89.28	1	CONVENTIONAL



Copyright FCI

mat'l. code		surface ISO 1302 <input checked="" type="checkbox"/>		tolerance ISO 406 ISO 1101		projection		product family CLINCHER	
ltr		ecn no		date		tolerances unless otherwise specified		title	
E						angles linear .XX±.01/.3		CLINCHER™ RECEPTACLE ASSEMBLY W/KEY	
						0'±2' .xxx±.005/.13 .xxxx±.0020/.051		INCH/MM scale 1:1	
				dr T. BRUNGARD 4/22/03				dwg no sheet 3 of 6 size	
				enr H. SUNDY 4/22/03				10027313 A3	
				chr H. SUNDY 4/22/03				type Product Customer Drawing	
				appd H. SUNDY 4/22/03					
sheet index		revision sheet							



PRODUCT NO.	NO. OF POSITIONS	DIM. L ENGLISH	DIM. L METRIC	DIM. M ENGLISH	DIM. M METRIC	DIM. C ENGLISH	DIM. C METRIC	PLATING CODE	TERMINATION NOTE 6
10027313-039	6	0.500	12.70	0.790	20.07	0.715	18.16	2	CONVENTIONAL
10027313-040	7	0.600	15.24	0.890	22.61	0.815	20.70	2	CONVENTIONAL
10027313-041	8	0.700	17.78	0.990	25.15	0.915	23.24	2	CONVENTIONAL
10027313-042	9	0.800	20.32	1.090	27.69	1.015	25.78	2	CONVENTIONAL
10027313-043	10	0.900	22.86	1.190	30.23	1.115	28.32	2	CONVENTIONAL
10027313-044	11	1.000	25.40	1.290	32.77	1.215	30.86	2	CONVENTIONAL
10027313-045	12	1.100	27.94	1.390	35.31	1.315	33.40	2	CONVENTIONAL
10027313-046	13	1.200	30.48	1.490	37.85	1.415	35.94	2	CONVENTIONAL
10027313-047	14	1.300	33.02	1.590	40.39	1.515	38.48	2	CONVENTIONAL
10027313-048	15	1.400	35.56	1.690	42.93	1.615	41.02	2	CONVENTIONAL
10027313-049	16	1.500	38.10	1.790	45.47	1.715	43.56	2	CONVENTIONAL
10027313-050	17	1.600	40.64	1.890	48.01	1.815	46.10	2	CONVENTIONAL
10027313-051	18	1.700	43.18	1.990	50.55	1.915	48.64	2	CONVENTIONAL
10027313-052	19	1.800	45.72	2.090	53.09	2.015	51.18	2	CONVENTIONAL
10027313-053	20	1.900	48.26	2.190	55.63	2.115	53.72	2	CONVENTIONAL
10027313-054	21	2.000	50.80	2.290	58.17	2.215	56.26	2	CONVENTIONAL
10027313-055	22	2.100	53.34	2.390	60.71	2.315	58.80	2	CONVENTIONAL
10027313-056	23	2.200	55.88	2.490	63.25	2.415	61.34	2	CONVENTIONAL
10027313-057	24	2.300	58.42	2.590	65.79	2.515	63.88	2	CONVENTIONAL
10027313-058	25	2.400	60.96	2.690	68.33	2.615	66.42	2	CONVENTIONAL
10027313-059	26	2.500	63.50	2.790	70.87	2.715	68.96	2	CONVENTIONAL
10027313-060	27	2.600	66.04	2.890	73.41	2.815	71.50	2	CONVENTIONAL
10027313-061	28	2.700	68.58	2.990	75.95	2.915	74.04	2	CONVENTIONAL
10027313-062	29	2.800	71.12	3.090	78.49	3.015	76.58	2	CONVENTIONAL
10027313-063	30	2.900	73.66	3.190	81.03	3.115	79.12	2	CONVENTIONAL
10027313-064	31	3.000	76.20	3.290	83.57	3.215	81.66	2	CONVENTIONAL
10027313-065	32	3.100	78.74	3.390	86.11	3.315	84.20	2	CONVENTIONAL
10027313-066	33	3.200	81.28	3.490	88.65	3.415	86.74	2	CONVENTIONAL
10027313-067	34	3.300	83.82	3.590	91.19	3.515	89.28	2	CONVENTIONAL



FCIconnect.com

Copyright FCI

mat'l. code		surface ISO 1302 <input checked="" type="checkbox"/>		tolerance ISO 406 ISO 1101		projection 		product family CLINCHER	
ltr		ecn no		date		tolerances unless otherwise specified		title	
E						angles linear .XX±.01/.3		INCH/MM	
						0'±2' .xxx±.005/.13		CLINCHER™ RECEPTACLE ASSEMBLY W/KEY	
						.xxxx±.0020/.051		scale 1:1	
				dr T. BRUNGARD 4/22/03				dwg no sheet 4 of 6 size	
				enr H. SUNDY 4/22/03				10027313 A3	
				chr H. SUNDY 4/22/03				type Product Customer Drawing	
				appd H. SUNDY 4/22/03					
sheet index		revision sheet							



form: A3 1 2 3 4 5 6

PRODUCT NO.	NO. OF POSITIONS	DIM. L ENGLISH	DIM. L METRIC	DIM. M ENGLISH	DIM. M METRIC	DIM. C ENGLISH	DIM. C METRIC	PLATING CODE	TERMINATION NOTE 6
10027313-106	6	0.500	12.70	0.790	20.07	0.715	18.16	1	INK
10027313-107	7	0.600	15.24	0.890	22.61	0.815	20.70	1	INK
10027313-108	8	0.700	17.78	0.990	25.15	0.915	23.24	1	INK
10027313-109	9	0.800	20.32	1.090	27.69	1.015	25.78	1	INK
10027313-110	10	0.900	22.86	1.190	30.23	1.115	28.32	1	INK
10027313-111	11	1.000	25.40	1.290	32.77	1.215	30.86	1	INK
10027313-112	12	1.100	27.94	1.390	35.31	1.315	33.40	1	INK
10027313-113	13	1.200	30.48	1.490	37.85	1.415	35.94	1	INK
10027313-114	14	1.300	33.02	1.590	40.39	1.515	38.48	1	INK
10027313-115	15	1.400	35.56	1.690	42.93	1.615	41.02	1	INK
10027313-116	16	1.500	38.10	1.790	45.47	1.715	43.56	1	INK
10027313-117	17	1.600	40.64	1.890	48.01	1.815	46.10	1	INK
10027313-118	18	1.700	43.18	1.990	50.55	1.915	48.64	1	INK
10027313-119	19	1.800	45.72	2.090	53.09	2.015	51.18	1	INK
10027313-120	20	1.900	48.26	2.190	55.63	2.115	53.72	1	INK
10027313-121	21	2.000	50.80	2.290	58.17	2.215	56.26	1	INK
10027313-122	22	2.100	53.34	2.390	60.71	2.315	58.80	1	INK
10027313-123	23	2.200	55.88	2.490	63.25	2.415	61.34	1	INK
10027313-124	24	2.300	58.42	2.590	65.79	2.515	63.88	1	INK
10027313-125	25	2.400	60.96	2.690	68.33	2.615	66.42	1	INK
10027313-126	26	2.500	63.50	2.790	70.87	2.715	68.96	1	INK
10027313-127	27	2.600	66.04	2.890	73.41	2.815	71.50	1	INK
10027313-128	28	2.700	68.58	2.990	75.95	2.915	74.04	1	INK
10027313-129	29	2.800	71.12	3.090	78.49	3.015	76.58	1	INK
10027313-130	30	2.900	73.66	3.190	81.03	3.115	79.12	1	INK
10027313-131	31	3.000	76.20	3.290	83.57	3.215	81.66	1	INK
10027313-132	32	3.100	78.74	3.390	86.11	3.315	84.20	1	INK
10027313-133	33	3.200	81.28	3.490	88.65	3.415	86.74	1	INK
10027313-134	34	3.300	83.82	3.590	91.19	3.515	89.28	1	INK



Copyright FCI

mat'l. code		surface ISO 1302 <input checked="" type="checkbox"/>		tolerance ISO 406 <input checked="" type="checkbox"/>		projection		product family CLINCHER	
ISO 1101		tolerances unless otherwise specified		linear .XX±.01/.3		INCH/MM		title CLINCHER™ RECEPTACLE ASSEMBLY W/KEY	
E		angles 0°±2'		.xxx±.005/.13		scale 1:1		sheet 5 of 6 size A3	
				.xxxx±.0020/.051				10027313	
		dr T. BRUNGARD 4/22/03		enr H. SUNDY 4/22/03		type Product Customer Drawing			
		chr H. SUNDY 4/22/03		appd H. SUNDY 4/22/03					
sheet index		revision sheet							

PRODUCT NO.	NO. OF POSITIONS	DIM. L ENGLISH	DIM. L METRIC	DIM. M ENGLISH	DIM. M METRIC	DIM. C ENGLISH	DIM. C METRIC	PLATING CODE	TERMINATION NOTE 6
10027313-139	6	0.500	12.70	0.790	20.07	0.715	18.16	2	INK
10027313-140	7	0.600	15.24	0.890	22.61	0.815	20.70	2	INK
10027313-141	8	0.700	17.78	0.990	25.15	0.915	23.24	2	INK
10027313-142	9	0.800	20.32	1.090	27.69	1.015	25.78	2	INK
10027313-143	10	0.900	22.86	1.190	30.23	1.115	28.32	2	INK
10027313-144	11	1.000	25.40	1.290	32.77	1.215	30.86	2	INK
10027313-145	12	1.100	27.94	1.390	35.31	1.315	33.40	2	INK
10027313-146	13	1.200	30.48	1.490	37.85	1.415	35.94	2	INK
10027313-147	14	1.300	33.02	1.590	40.39	1.515	38.48	2	INK
10027313-148	15	1.400	35.56	1.690	42.93	1.615	41.02	2	INK
10027313-149	16	1.500	38.10	1.790	45.47	1.715	43.56	2	INK
10027313-150	17	1.600	40.64	1.890	48.01	1.815	46.10	2	INK
10027313-151	18	1.700	43.18	1.990	50.55	1.915	48.64	2	INK
10027313-152	19	1.800	45.72	2.090	53.09	2.015	51.18	2	INK
10027313-153	20	1.900	48.26	2.190	55.63	2.115	53.72	2	INK
10027313-154	21	2.000	50.80	2.290	58.17	2.215	56.26	2	INK
10027313-155	22	2.100	53.34	2.390	60.71	2.315	58.80	2	INK
10027313-156	23	2.200	55.88	2.490	63.25	2.415	61.34	2	INK
10027313-157	24	2.300	58.42	2.590	65.79	2.515	63.88	2	INK
10027313-158	25	2.400	60.96	2.690	68.33	2.615	66.42	2	INK
10027313-159	26	2.500	63.50	2.790	70.87	2.715	68.96	2	INK
10027313-160	27	2.600	66.04	2.890	73.41	2.815	71.50	2	INK
10027313-161	28	2.700	68.58	2.990	75.95	2.915	74.04	2	INK
10027313-162	29	2.800	71.12	3.090	78.49	3.015	76.58	2	INK
10027313-163	30	2.900	73.66	3.190	81.03	3.115	79.12	2	INK
10027313-164	31	3.000	76.20	3.290	83.57	3.215	81.66	2	INK
10027313-165	32	3.100	78.74	3.390	86.11	3.315	84.20	2	INK
10027313-166	33	3.200	81.28	3.490	88.65	3.415	86.74	2	INK
10027313-167	34	3.300	83.82	3.590	91.19	3.515	89.28	2	INK



FCIconnect.com

Copyright FCI

mat'l. code		surface ISO 1302 <input checked="" type="checkbox"/>		tolerance ISO 406 ISO 1101		projection		product family CLINCHER	
ltr		ecn no		date		tolerances unless otherwise specified		title	
E						angles linear .XX±.01/.3		INCH/MM	
						0'±2'		.xxx±.005/.13	
								scale 1:1	
				dr T. BRUNGARD 4/22/03				dwg no sheet 6 of 6 size	
				enr H. SUNDY 4/22/03				10027313 A3	
				chr H. SUNDY 4/22/03				type Product Customer Drawing	
				appd H. SUNDY 4/22/03					
sheet index		revision sheet							



form: A3

# Mouser Electronics

Authorized Distributor

Click to View Pricing, Inventory, Delivery & Lifecycle Information:

[FCI / Amphenol:](#)

[10027313-008](#) [10027313-014](#) [10027313-039LF](#) [10027313-006LF](#) [10027313-106LF](#)