

THIS DRAWING IS UNPUBLISHED.

RELEASED FOR PUBLICATION

2005

© COPYRIGHT 2005

Tyco Electronics AMP GmbH

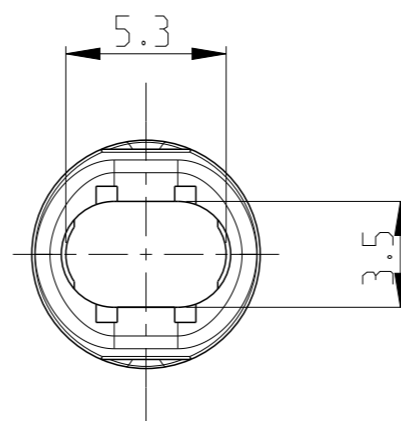
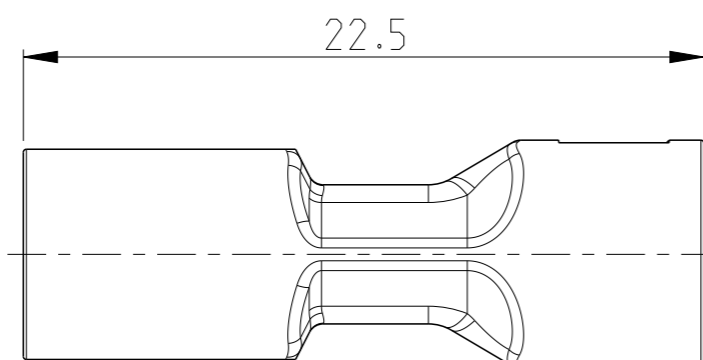
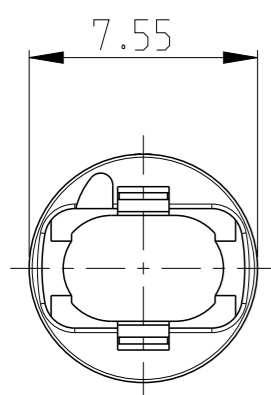
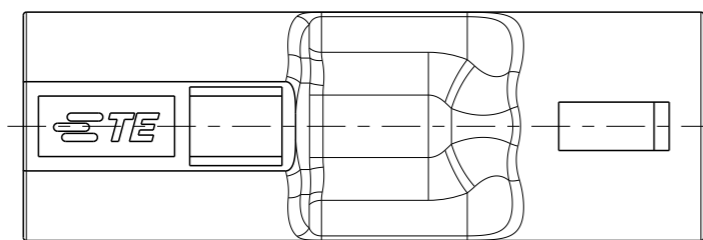
ALL RIGHTS RESERVED.

LOC
A1

DIST
-

REVISIONS

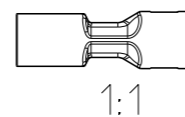
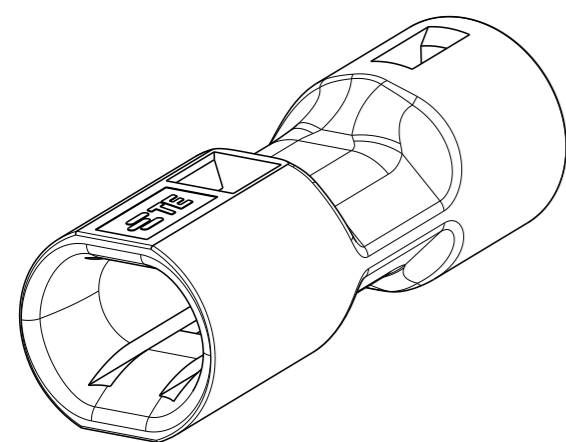
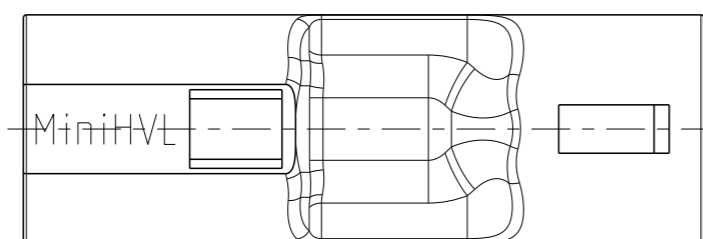
P	LTR	DESCRIPTION	DATE	DWN	APVD
	J1	REVISED PER ECR-14-008397	10JUN2014	RS	DD
	K	REVISED PER ECR-15-011040	04AUG2015	RS	PO




Remarks:

- Space inside designed for cable type H03VVH2-F 2x0,75mm² (Details see Application Spec.)
- Counterparts see drawings for PN 1740259, 1740261 and 1740262 and corresponding products of the MiniHVL family

 Material is improved against UV influence



0-1740260-2	K	BLACK
0-1740260-1	K	WHITE 
PN	REV.	COLOR

THIS DRAWING IS A CONTROLLED DOCUMENT.		DWN H.ATZMANN 08FEB2005	 TE Connectivity NAME 7.5mm MiniHVL Connector System TUBE				
DIMENSIONS: mm		CHK M.OFENLOCH 08FEB2005					
TOLERANCES UNLESS OTHERWISE SPECIFIED:		APVD S.SKADE 29SEP2006					
0 PLC ±0.2 1 PLC ±0.2 2 PLC ±0.2 3 PLC ± 4 PLC ± ANGLES ±1°		PRODUCT SPEC 108-94018					
MATERIAL TPE		FINISH -	APPLICATION SPEC 114-18751	SIZE A3	CAGE CODE 00779	DRAWING NO C=1740260	RESTRICTED TO -
Customer Drawing			WEIGHT 0.5 g	SCALE 4:1	SHEET 1 OF 1	REV K	

Mouser Electronics

Authorized Distributor

Click to View Pricing, Inventory, Delivery & Lifecycle Information:

[TE Connectivity:](#)

[1740260-2](#)