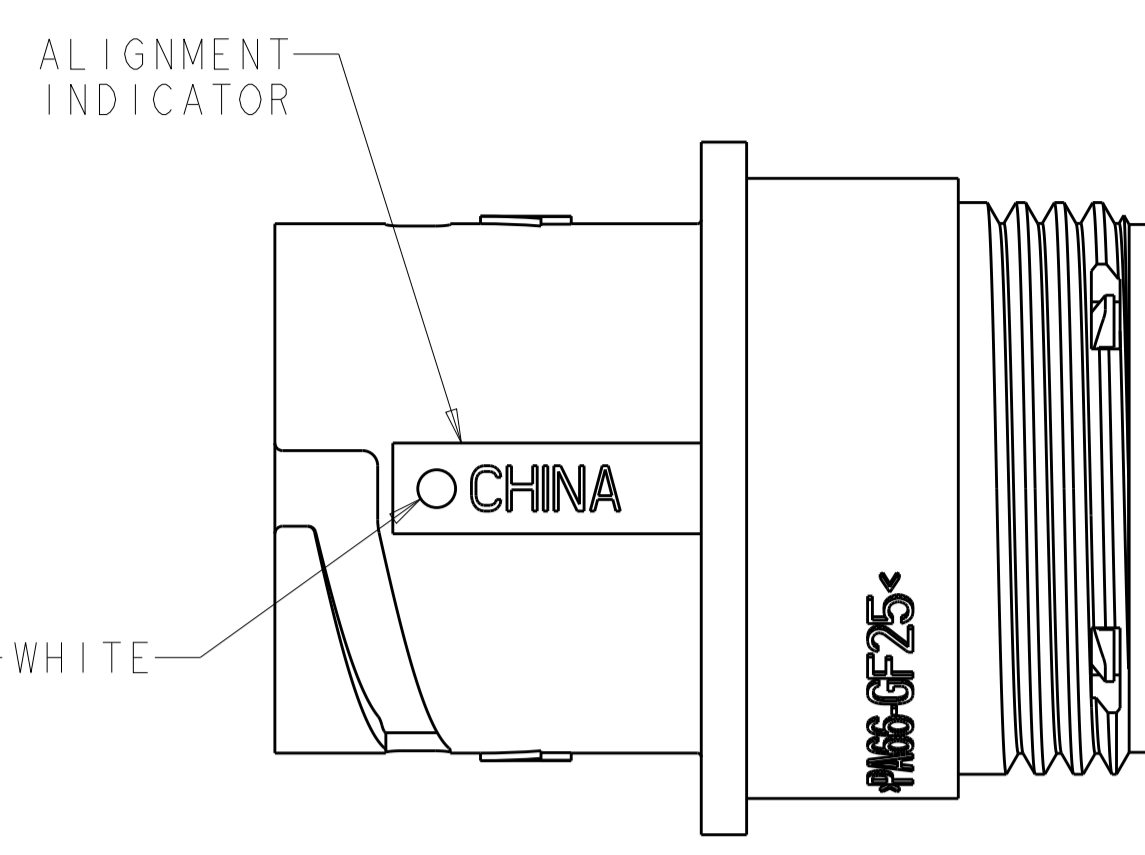
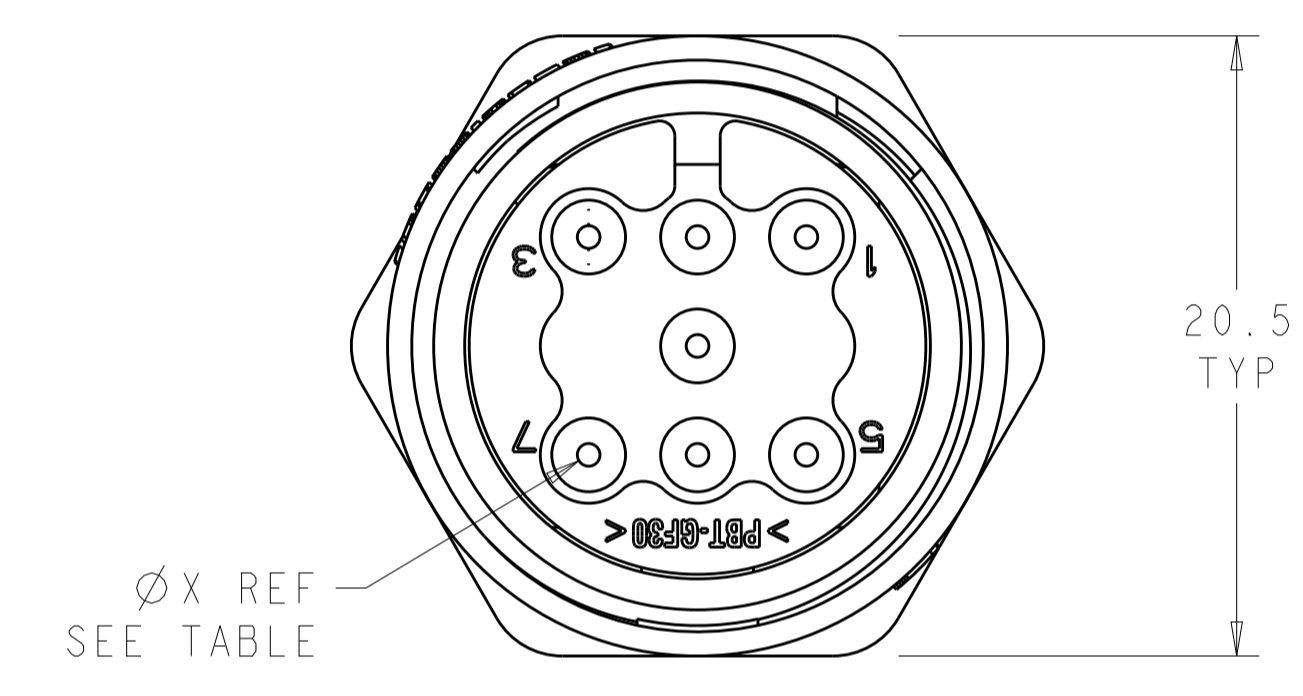
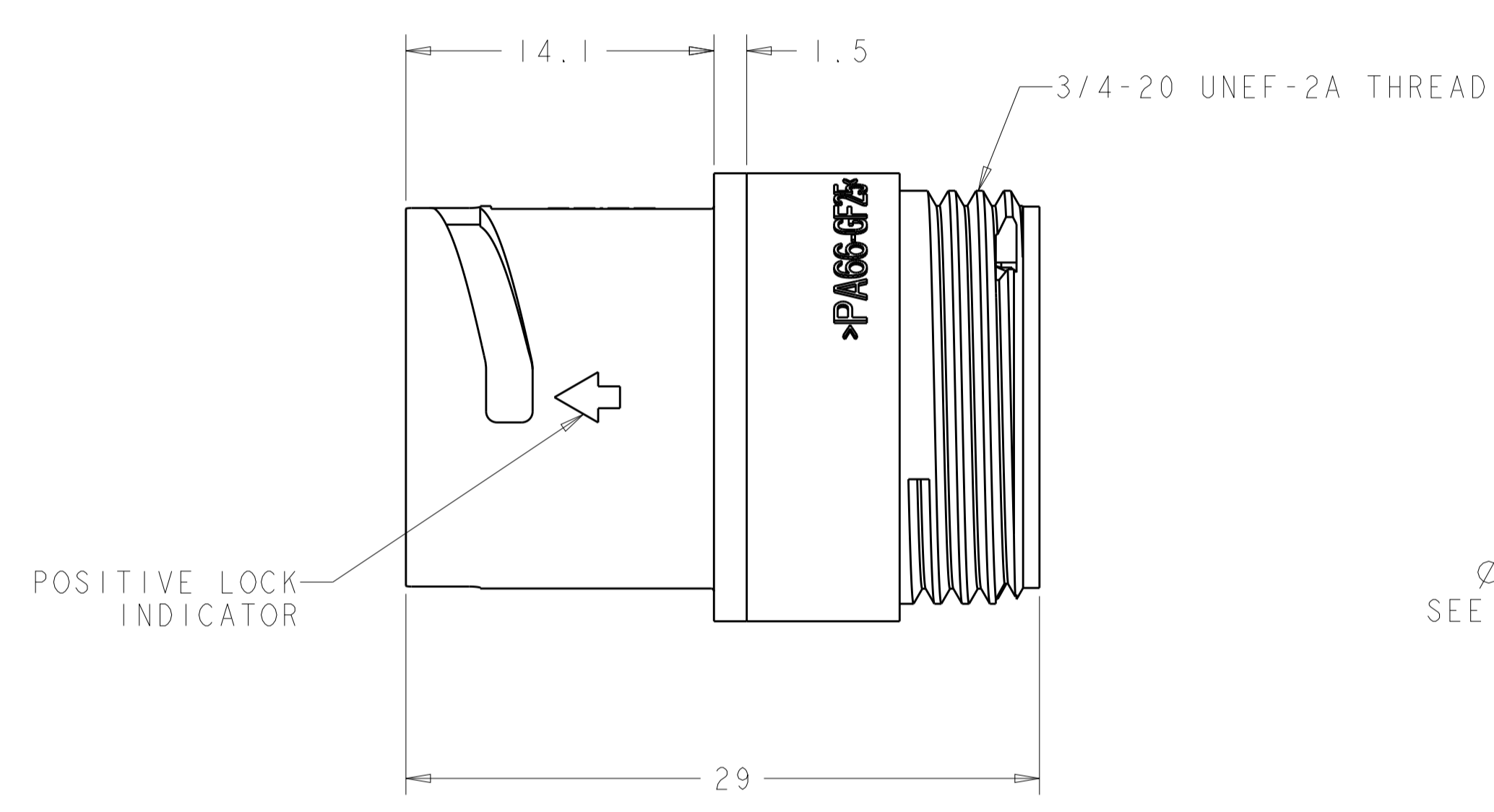
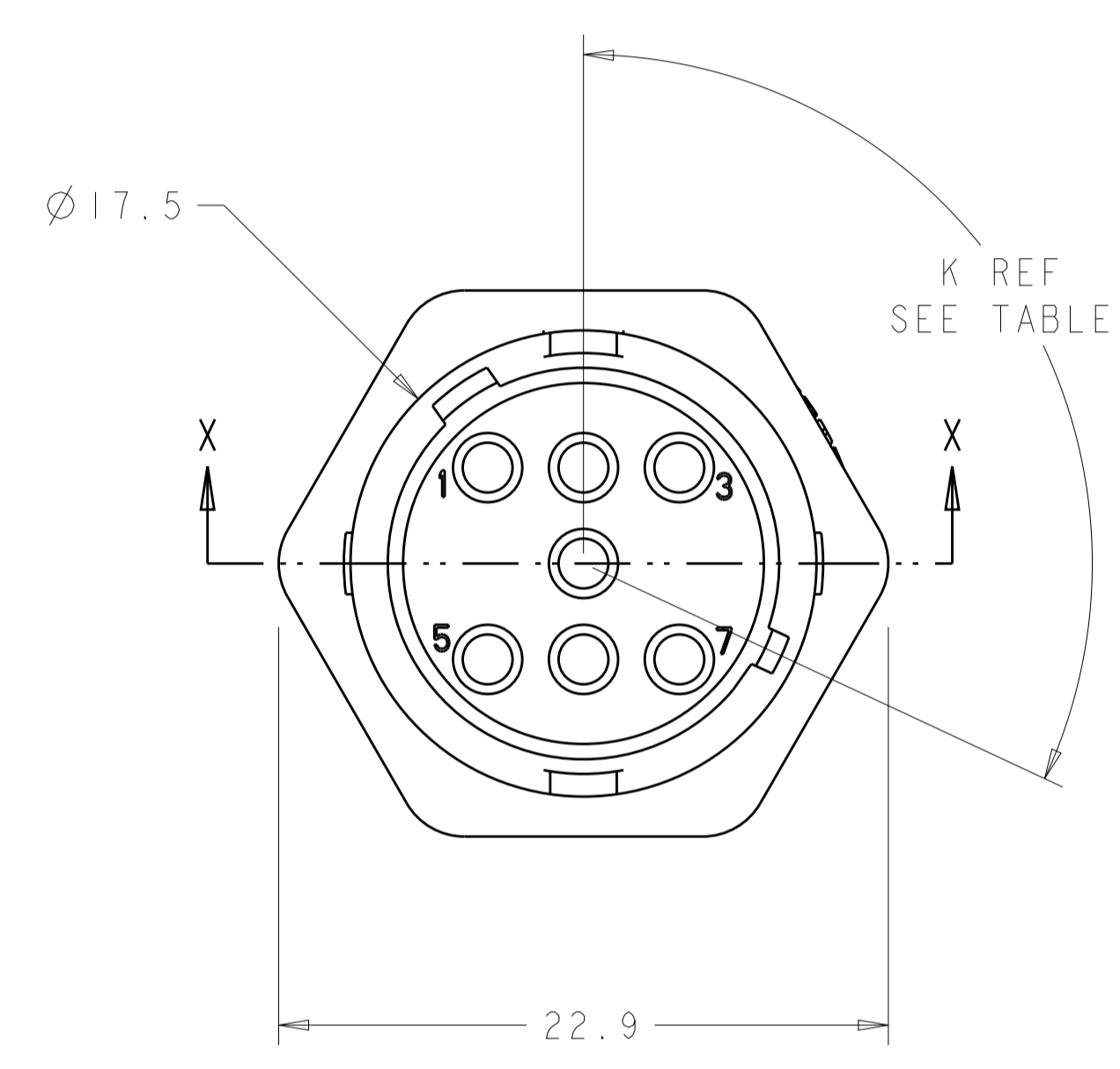


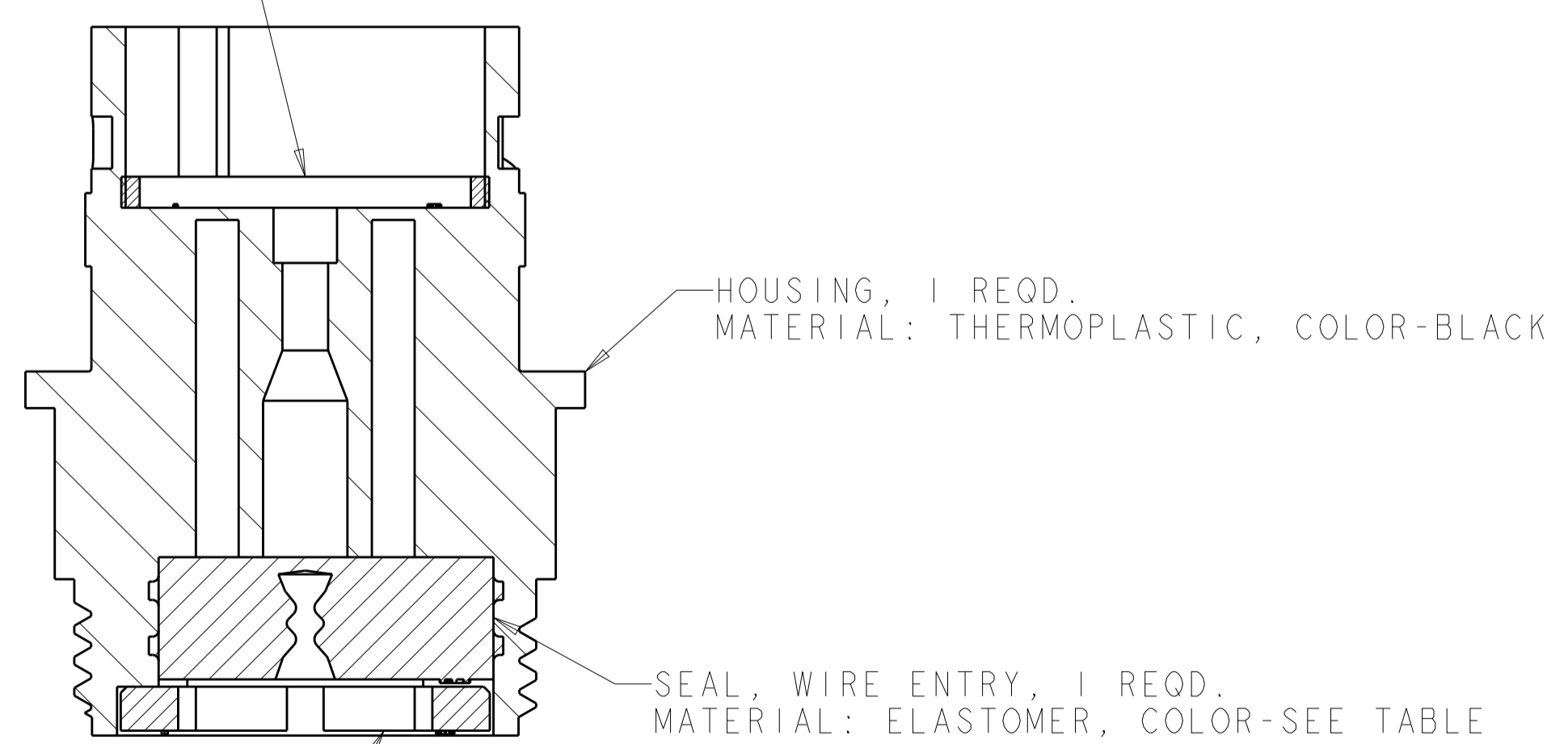
REVISIONS				
P.	LTN	DESCRIPTION	DATE	APVD
B1		REVISED PER ECO-15-010004	11JUL2015	NK MZ
C		REVISED PER ECO-16-018352	23MAR2017	RS MZ



ALIGNMENT DOT, COLOR-WHITE



SEAL, PERIPHERAL, 1 REQD.  
 MATERIAL: ELASTOMER, COLOR-GRAY



SECTION X-X

OBSELETE	YELLOW	Ø0.75	135°	1445827-04
	NATURAL	Ø1.5	115°	1445827-03
OBSELETE	NATURAL	Ø1.5	135°	1445827-02
	YELLOW	Ø0.75	115°	1445827-01
	SEAL, WIRE ENTRY COLOR	ØX REF	K REF	PART NUMBER

THIS DRAWING IS A CONTROLLED DOCUMENT.

OWN: SHANE WIESE 22OCT2001  
 CHK: G DOUTY 22OCT2001  
 APVD: H. WAKEEM 13JUN2003

TE Connectivity

NAME: ASSEMBLY, SIZE 11, 7 POSITION, FREE HANGING, SEALED, MINI CPC

SIZE: A1 CAGE CODE: 100779 DRAWING NO: 1445827

MATERIAL: SEE CALLOUT  
 FINISH: -  
 WEIGHT: -  
 CUSTOMER DRAWING

SCALE: 4:1 SHEET 1 OF 1 REV C

# Mouser Electronics

Authorized Distributor

Click to View Pricing, Inventory, Delivery & Lifecycle Information:

[TE Connectivity:](#)

[1445827-1](#)