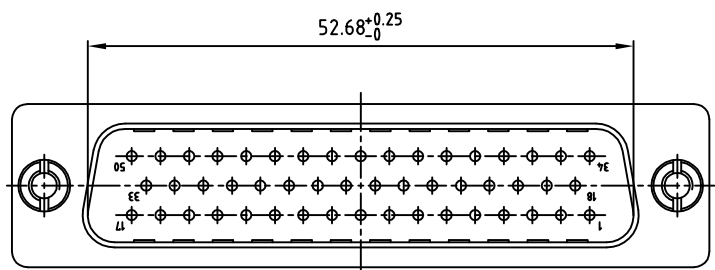
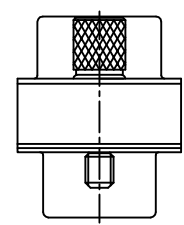
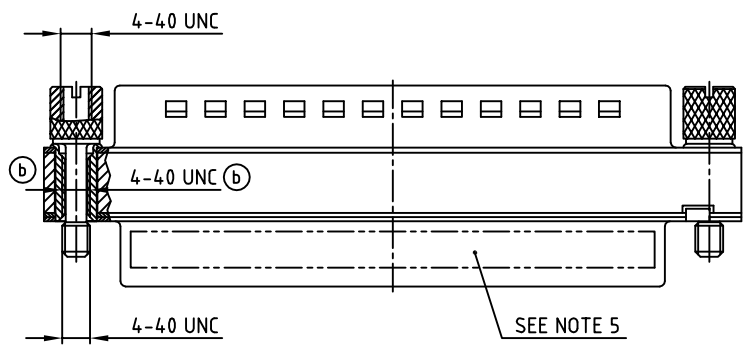
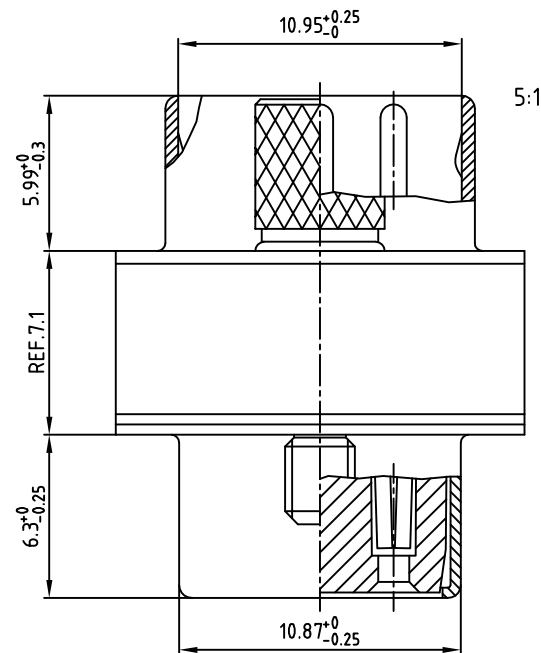
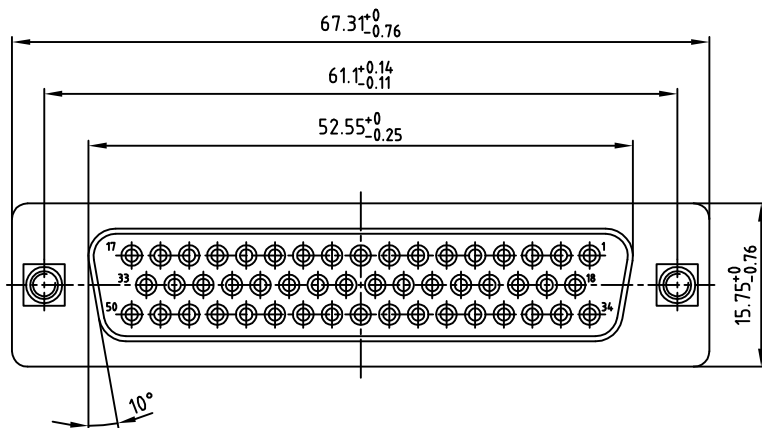


used for: D-SUB



- NOTES:
- METALSHELLS: STEEL; min. 320µ" TIN
 - INSULATORS: PBT GF UL 94 V-0, BLACK
 - CONTACTS: COPPER ALLOY
PLATING: 8µ" HARD GOLD OVER min. 50µ" NICKEL
 - MAXIMUM TORQUE VALUE FOR THREAD: 6" LBS
 - CONNECTOR IS PART MARKED: 163A50049X CONEC ABC

APPROVAL * FREIGABE * DEBLOCAGE * AUTORIZACION * APPROVAL

CUSTOMER APPROVAL DATE:

NAME: TITLE:

COMPANY NAME:

APPROVAL * FREIGABE * DEBLOCAGE * AUTORIZACION * APPROVAL

THIS DRAWING MAY NOT BE COPIED OR REPRODUCED IN ANY WAY, AND MAY NOT BE PASSED ON TO A THIRD PARTY, WITHOUT WRITTEN PERMISSION. OWNERSHIP AND COPYRIGHT OF CONEC Gmbh DO NOT ALTER CAD DRAWING BY HAND

rev.	description	date	name
2 x b	Ä 2141	30.12.2004	Lehmen

tolerance		dim. in mm	
2004	date	name	
drawn	28.12.	Lehmenkühler	
appd.	28.12.	Kühle	
norm	DIN 41652		
d-old			

scale:	2:1 (5:1)
material:	SEE NOTES
title:	ADAPTER PLUG / SOCKET 50pos. 4-4.0 UNC
dwg no:	AutoCAD 2004
	DIN-A
	3
	sh: 1/1
part no:	163A50049X



Mouser Electronics

Authorized Distributor

Click to View Pricing, Inventory, Delivery & Lifecycle Information:

[CONEC:](#)

[163A50029X](#) [163A50049X](#)