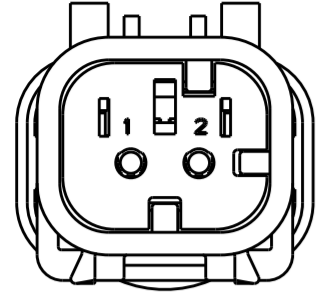
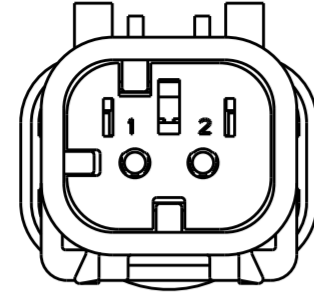


THIS DRAWING IS UNPUBLISHED. RELEASED FOR PUBLICATION  
 © COPYRIGHT 20 BY - ALL RIGHTS RESERVED.

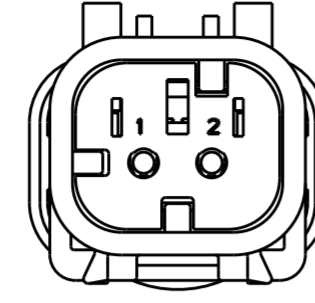
| REVISIONS |     |                           |           |       |
|-----------|-----|---------------------------|-----------|-------|
| P         | LTR | DESCRIPTION               | DATE      | APVD  |
| E         |     | REVISED PER ECO-13-019067 | 05DEC2013 | DR RB |
|           |     |                           |           |       |
|           |     |                           |           |       |



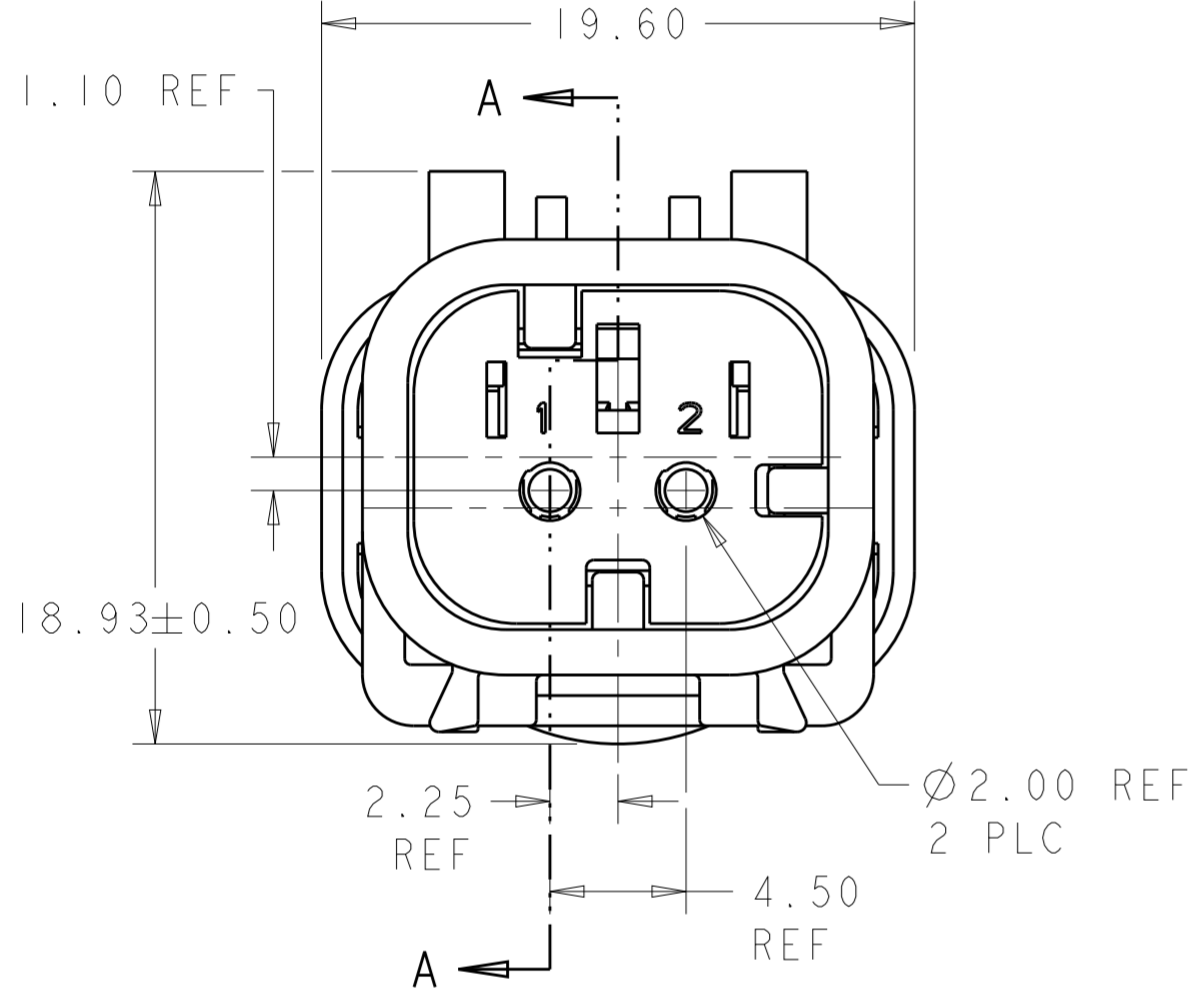
776428-2  
SCALE 2:1  
KEY B



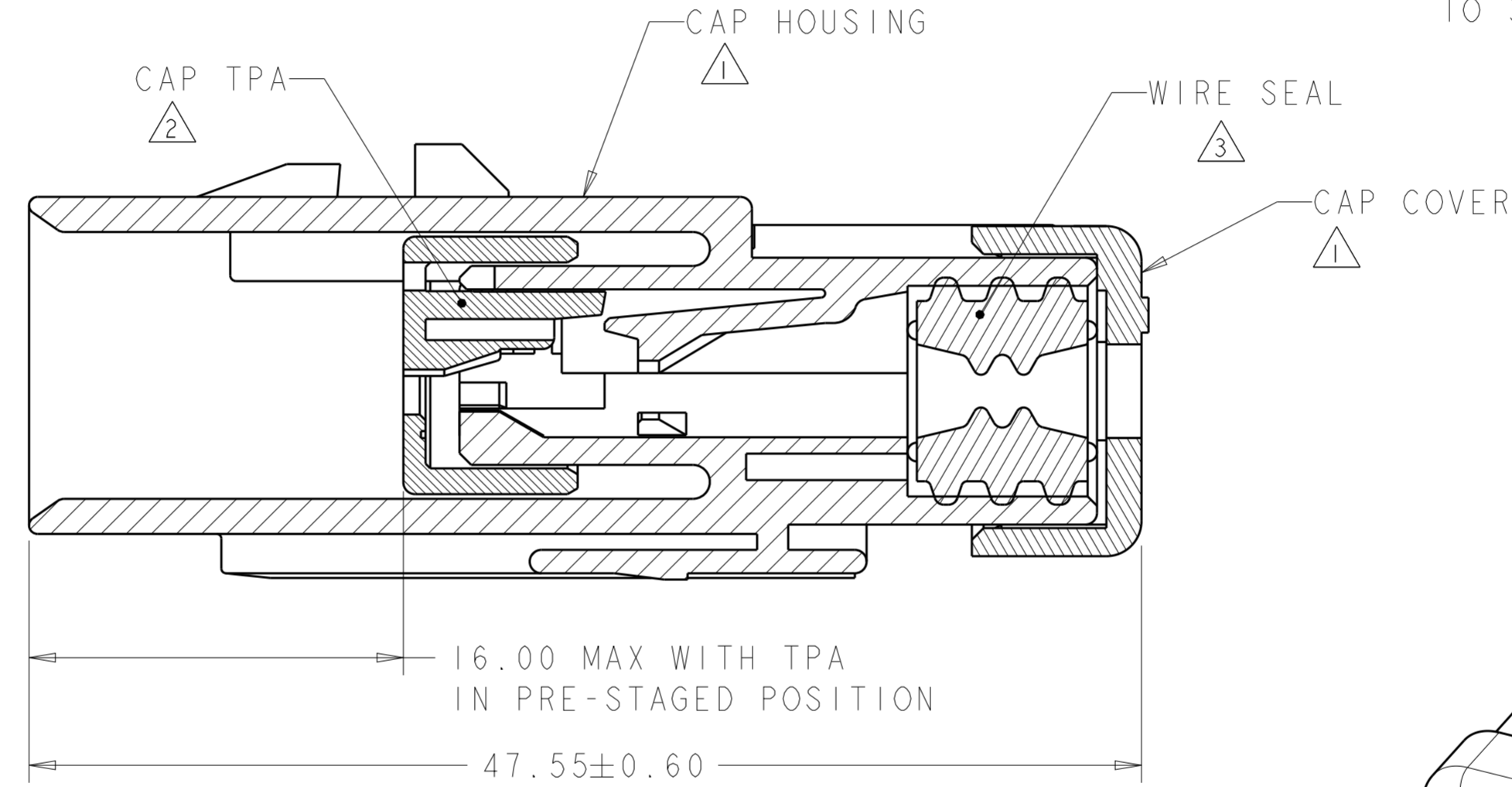
776428-3  
SCALE 2:1  
KEY C



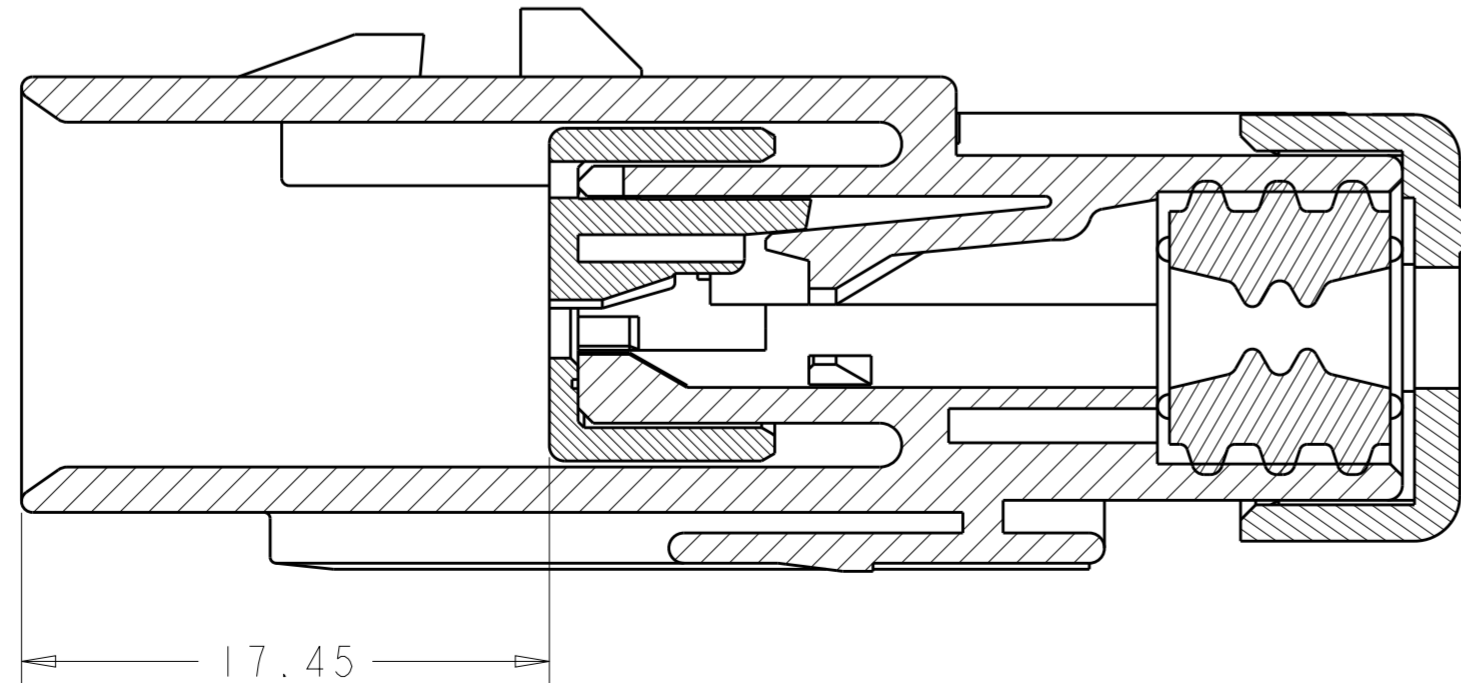
776428-4  
SCALE 2:1  
KEY D



776428-1 SHOWN  
KEY A

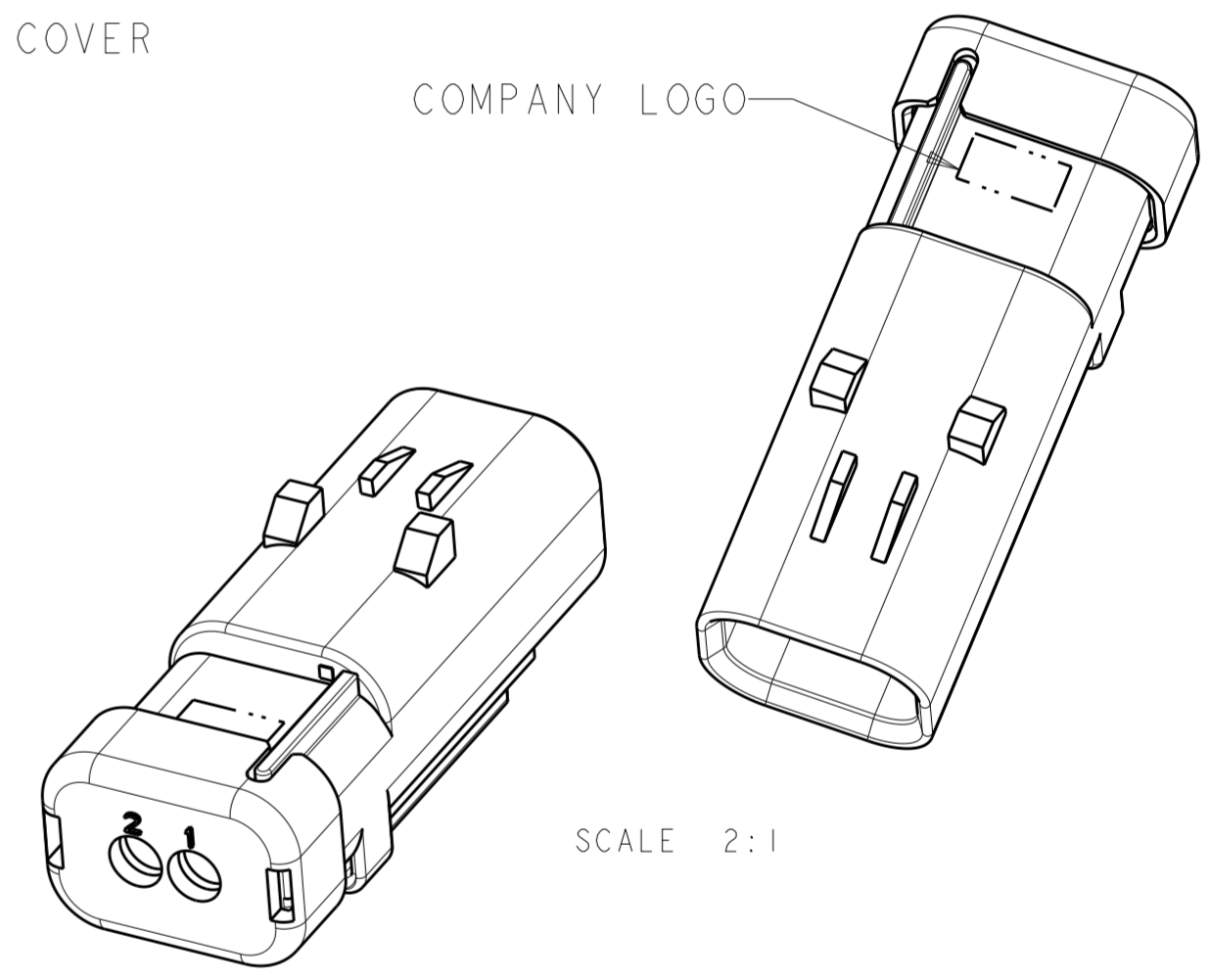


SECTION A-A



SECTION A-A  
WITH TPA IN CLOSED POSITION

- 1 MATERIAL: 15% GLASS FILLED THERMOPLASTIC  
COLOR: BLACK
- 2 MATERIAL: 15% GLASS FILLED THERMOPLASTIC  
COLOR: (SEE TABLE)
- 3 MATERIAL: SILICONE  
COLOR: MARINE BLUE
- 4. RECOMMENDED WIRE DIAMETER RANGE IS 2.18 TO 3.67mm.



|           |             |
|-----------|-------------|
| GREEN     | 776428-4    |
| YELLOW    | 776428-3    |
| GRAY      | 776428-2    |
| RED       | 776428-1    |
| TPA COLOR | PART NUMBER |

THIS DRAWING IS A CONTROLLED DOCUMENT.

|             |  |                           |  |
|-------------|--|---------------------------|--|
| DIMENSIONS: | TOLERANCES UNLESS OTHERWISE SPECIFIED: | DWN Y. PETERSON 22FEB2000 | TE Connectivity  |
| mm          | 0 PLC ±                                | CHK R. GREINER 11DEC2001  |  |
|             | 1 PLC ±                                | APVD M. TRULLI 11DEC2001  |  |
|             | 2 PLC ±                                | NAME                      |  |
|             | 3 PLC ±                                | PRODUCT SPEC              | CAP ASSEMBLY,<br>2 POSITION, SINGLE ROW,<br>AMPSEAL 16 |
|             | 4 PLC ±                                | APPLICATION SPEC          | SIZE CAGE CODE DRAWING NO RESTRICTED TO                |
|             | ANGLES ±                               | 114-13065                 | A200779 C-776428                                       |
|             | FINISH -                               | WEIGHT 9                  | SCALE 4:1 SHEET OF REV E                               |
| MATERIAL -  | -                                      | Customer Drawing          |  |

# Mouser Electronics

Authorized Distributor

Click to View Pricing, Inventory, Delivery & Lifecycle Information:

[TE Connectivity:](#)

[776428-1](#)