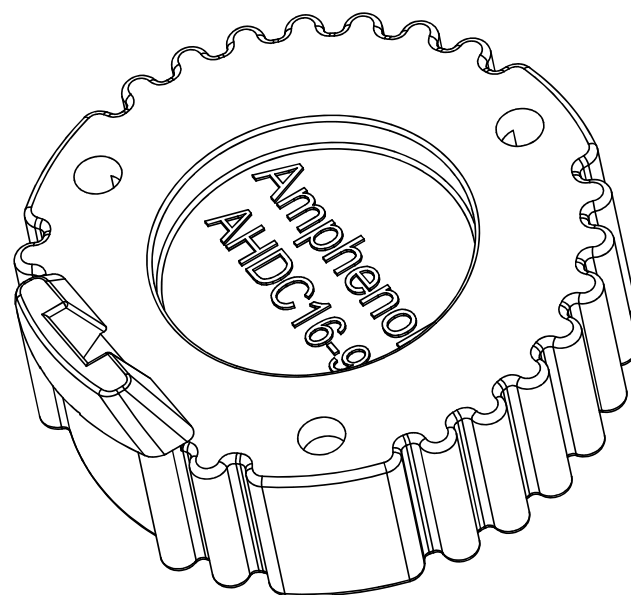
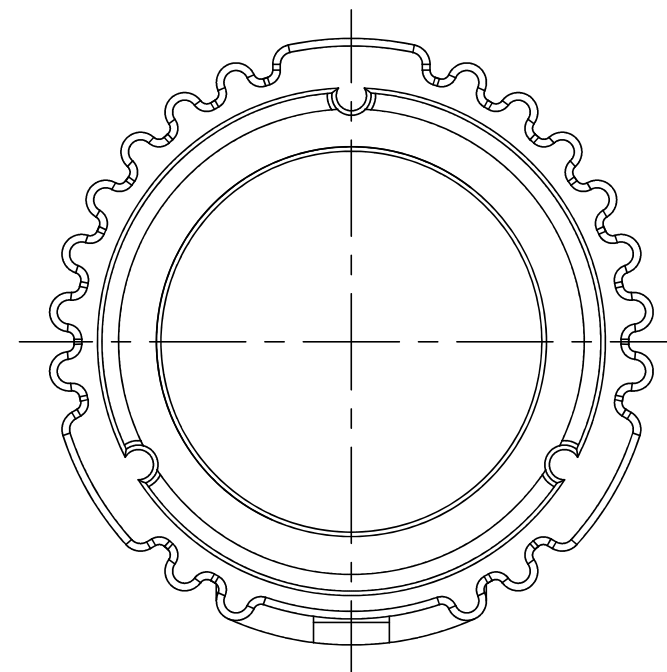
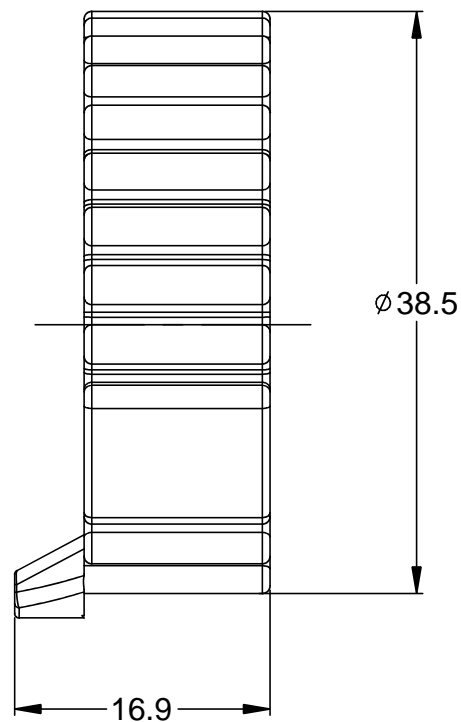
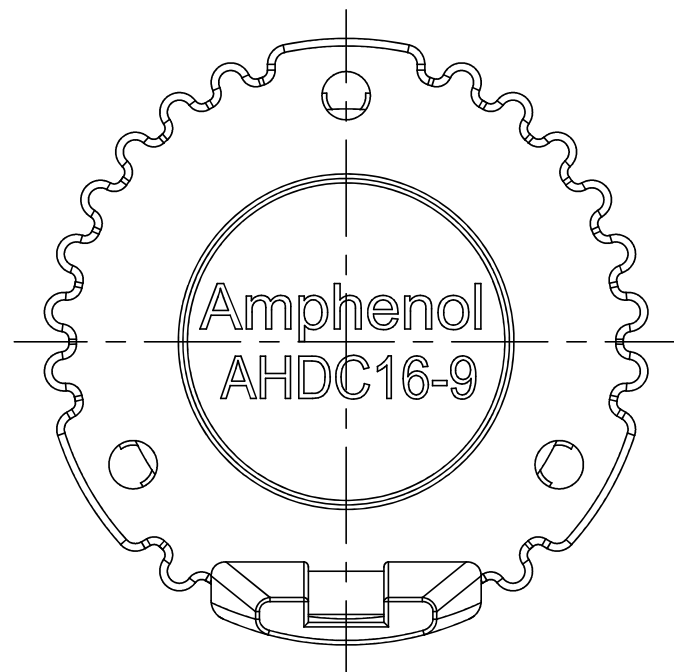


| REVISIONS | | | | | |
|-----------|-----|--------------------------|---------|-------|------|
| REV | ECO | DESCRIPTION | DATE | BY | APPR |
| A3 | - | RELEASE CUSTOMER DRAWING | 22FEB14 | JARRY | |



| PART NUMBER CHART | |
|-------------------|---------------|
| COLOR | PART NUMBER |
| GREY | AHDC-16-9 |
| BLACK | AHDC-16-9-BLK |

NOTES: UNLESS OTHERWISE SPECIFIED

1. MATERIAL: THERMOPLASTIC
2. COMPATIBLE WITH ALL 9 POSITION AHD SERIES RECEPTACLES
3. RoHS COMPLIANT.
4. ALL DIMENSIONS ARE FOR REFERENCE USE ONLY.

| QUANTITY | SEE CHART | DESCRIPTION | ITEM |
|--|-------------|--|---|
| | PART NUMBER | | |
| MATERIALS LIST | | | |
| <small>UNLESS OTHERWISE SPECIFIED</small> 1) All dimensions are in metric(mm). 2) Tolerances are as follows: 1 PL DEC ±0.30 2 PL DEC ±0.15 3 PL DEC ±0.08 Fractions ±1/64 Angles ±1° 3) Note reference = | | SIGNATURES DATE DRAWN: JARRY 22FEB14 CHECKED: ENGINEER: APPROVAL: CUSTOMER: | |
| MATERIAL SPECIFICATIONS: | | <h1>Amphenol</h1> <p>Sine Systems - www.amphenol-sine.com 44724 Morley Drive Clinton Township, MI 48036</p> | |
| PROCESS SPECIFICATIONS: | | RECEPTACLE CAP,9 POSITION, AHD | |
| NEXT ASSY: | | THIS DRAWING IS SUPPLIED FOR INFORMATION ONLY. DESIGN FEATURES, SPECIFICATIONS AND PERFORMANCE DATA SHOWN HEREON ARE THE PROPERTY OF THE AMPHENOL CORPORATION. NO RIGHTS OF REPRODUCTION ARE IMPLIED. ALL DIMENSIONS ARE SUBJECT TO NORMAL MANUFACTURING VARIATIONS. | |
| | | SIZE: B C- SCALE: NONE | DWG NO: AHDC-16-9-XXX REVISION: A3 SHEET 1 OF 1 |

TITLE: RECEPTACLE CAP,9 POSITION, AHD

DWG NO: AHDC-16-9-XXX

REV: A3

SH: 1

OF: 1

Mouser Electronics

Authorized Distributor

Click to View Pricing, Inventory, Delivery & Lifecycle Information:

[Amphenol:](#)

[AHDC-16-9](#)