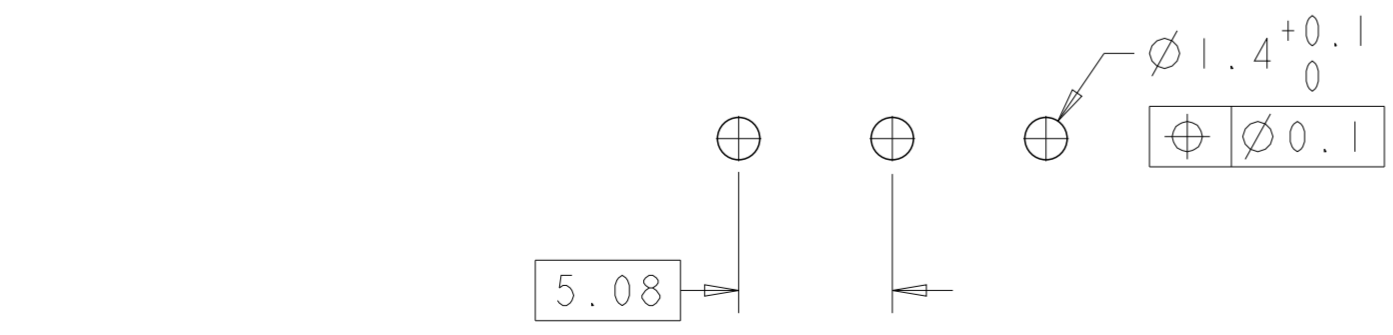
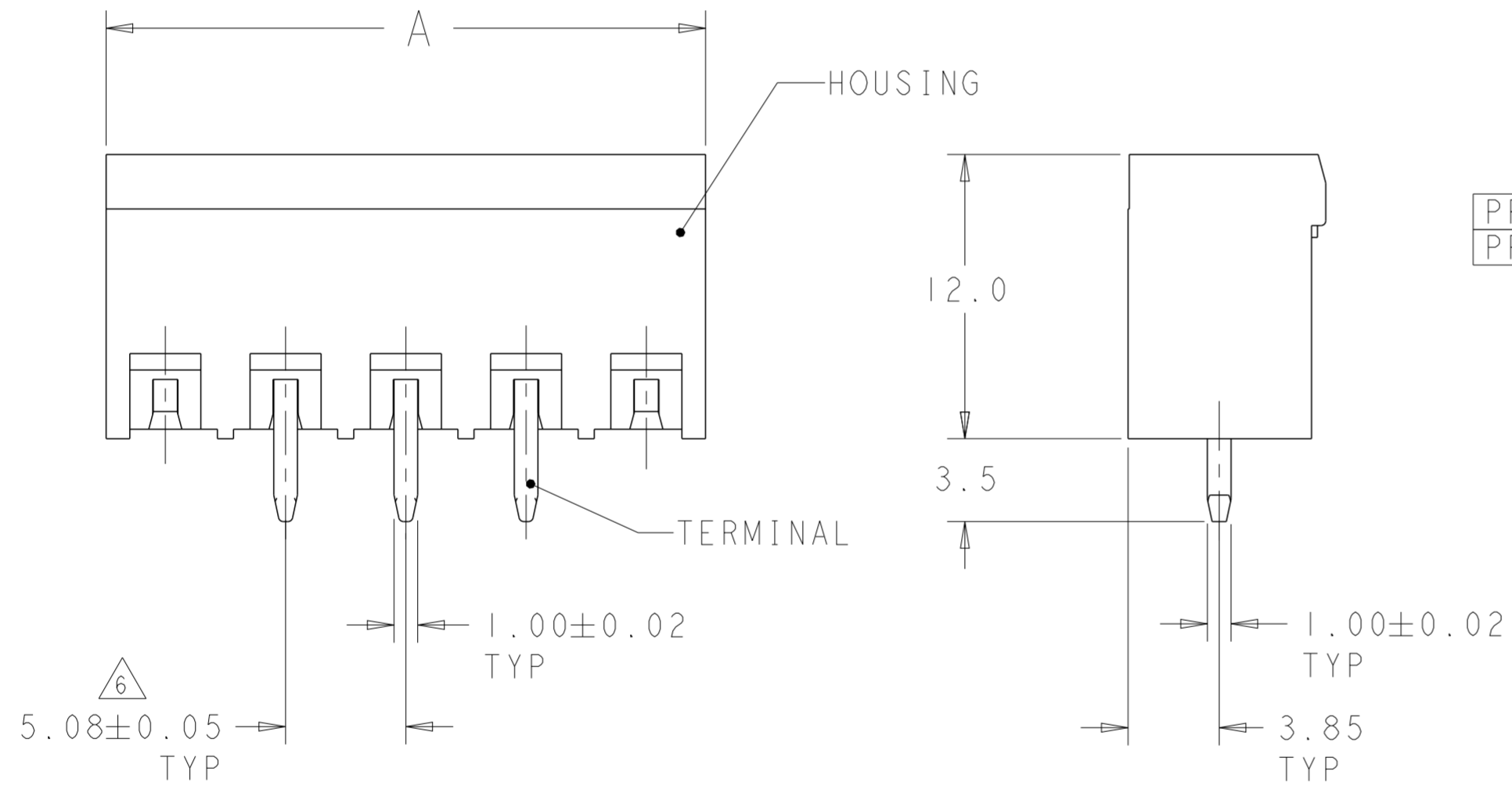
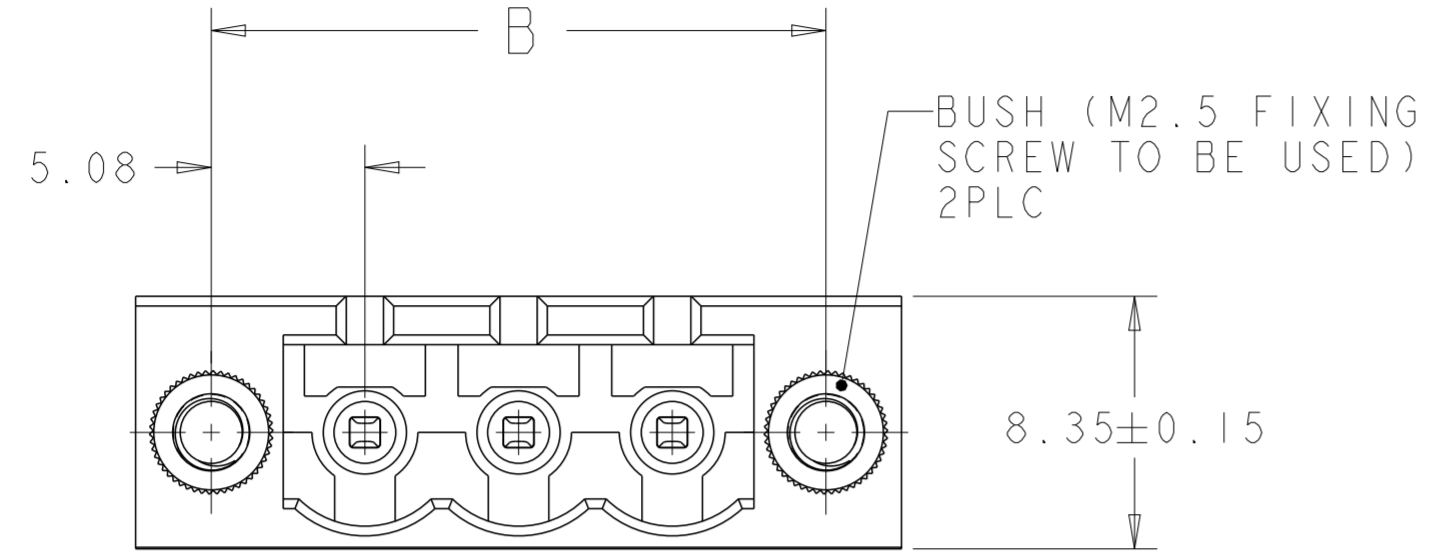


REVISIONS					
P	LTR	DESCRIPTION	DATE	DWN	APVD
B6		BUSH PART INFORMATION ADDED	13APR2018	RK	PS

NOTES:

- MATERIALS AND FINISH:
 HOUSING: PA 6-6, UL 94V-0, COLOR: SEE TABLE.
 TERMINAL: COPPER ALLOY, PLATING: SEE TABLE. OVER 2-3µm NICKEL
 BUSH : BRASS, NICKEL PLATED.
 - MECHANICAL
 MAX. INSERTION FORCE PER POLE : 3.0 N
 MIN. WITHDRAWAL FORCE PER POLE : 1.5 N
 MIN. PC BOARD HOLES DIAMETER : 1.4 mm
 MAX. PC BOARD THICKNESS : 2.4 mm
 - ELECTRICAL
 WIRE RANGE : 12-30 AWG
 MAX. VOLTAGE : 300 V
 MAX CURRENT : 15 A
 CONTACT RESISTANCE : <15 m Ohm
 INSULATION RESISTANCE : >1000 M Ohm (500V DC)
 - OPERATING TEMPERATURE RANGE: -40°C TO +110°C
 - RECOGNIZED UNDER THE COMPONENT PROGRAM OF UNDERWRITERS LABORATORIES INC. FILE NO. E60677.
- △ NOT CUMULATIVE TOLERANCE.



RECOMMENDED PC BOARD LAYOUT

PRELIMINARY	COLOR	TERMINAL FINISH	GREEN	GRAY	NO OF POSN	PART NUMBER
PRELIMINARY	GREEN	0.76µm GOLD	55.88	60.88	10	2-796867-6
PRELIMINARY	GRAY RAL7032	0.76µm GOLD	30.48	35.48	5	2-796867-5
OBSOLETE	GREEN	0.2µm GOLD	30.48	35.48	5	2-796867-4
		TIN	121.92	126.92	23	2-796867-3
OBSOLETE	GREEN	TIN	116.84	121.84	22	2-796867-2
		TIN	111.76	116.76	21	2-796867-1
		TIN	106.68	111.68	20	2-796867-0
		TIN	101.60	106.60	19	1-796867-9
		TIN	96.52	101.52	18	1-796867-8
		TIN	91.44	96.44	17	1-796867-7
		TIN	86.36	91.36	16	1-796867-6
		TIN	81.28	86.28	15	1-796867-5
		TIN	76.20	81.20	14	1-796867-4
		TIN	71.12	76.12	13	1-796867-3
		TIN	66.04	71.04	12	1-796867-2
		TIN	60.96	65.96	11	1-796867-1
		TIN	55.88	60.88	10	1-796867-0
		TIN	50.80	55.80	9	796867-9
		TIN	45.72	50.72	8	796867-8
		TIN	40.64	45.64	7	796867-7
		TIN	35.56	40.56	6	796867-6
		TIN	30.48	35.48	5	796867-5
		TIN	25.40	30.40	4	796867-4
		TIN	20.32	25.32	3	796867-3
		TIN	15.24	20.24	2	796867-2

THIS DRAWING IS A CONTROLLED DOCUMENT.		DWN S. WELDON 10 JUN 2002	TE Connectivity	NAME: TERMINAL BLOCK HEADER ASSEMBLY, VERTICAL, WITH LOCKING SCREW FLANGE, 5.08mm PITCH	
DIMENSIONS: mm		CHK D. BIEVENOUR 10 JUN 2002			
TOLERANCES UNLESS OTHERWISE SPECIFIED:		APVD D. BIEVENOUR 10 JUN 2002			
0 PLC ±	1 PLC ±0.3	PRODUCT SPEC	SIZE	CAGE CODE	DRAWING NO
2 PLC ±0.25	3 PLC ±	APPLICATION SPEC	A2	00779	C-796867
4 PLC ±	ANGLES ±	WEIGHT	SCALE 4:1		SHEET 1 OF 1
MATERIAL SEE NOTES	FINISH SEE NOTES	CUSTOMER DRAWING	REV B6		