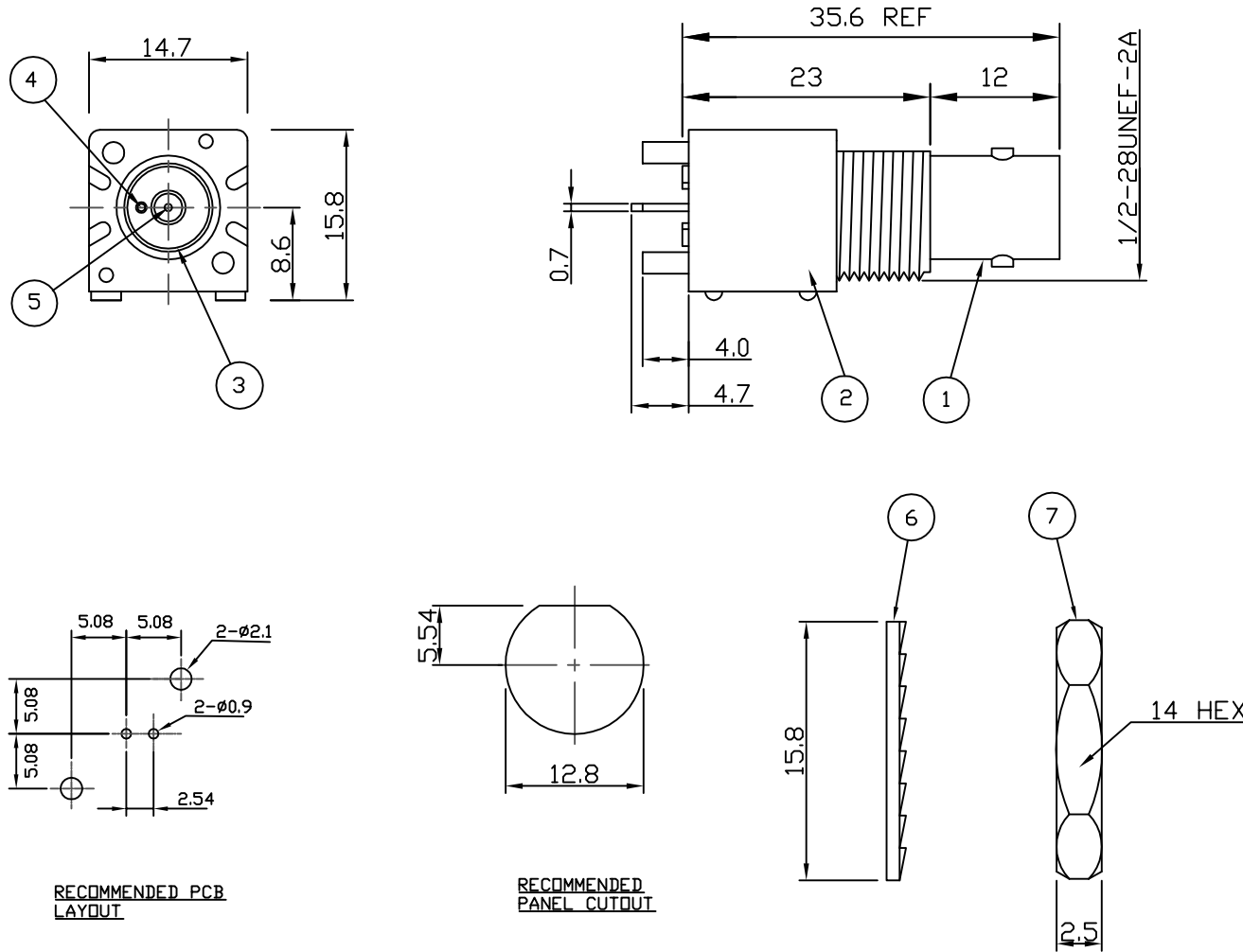


RoHS COMPLIANT



**Electrical Characteristics**

Nominal Impedance:	50 ohms
Frequency Range:	DC to 1 GHz
VSWR:	1.3:1 maximum
Insertion Loss:	0.2 dB at 1 GHz
Operating Voltage (rms):	500 V maximum at sea level
Dielectric Withstand Voltage (rms):	1500 V maximum at sea level
Contact Resistance:	3.0 milliohms maximum
Insulation Resistance:	5000 megohms minimum

**Mechanical Characteristics**

Mating Cycles:	500 cycles minimum
Interface Dimensions:	Conform to MIL-C-39012

**Environmental Characteristics**

Temperature Range:	-55 °C to +85 °C
--------------------	------------------

REF.	DESCRIPTION	MATERIAL	PLATING
1	Shell	Zinc Alloy	Nickel
2	Body	P.B.T. UL94V-0	
3	Insulator	PE-606	
4	Ground terminal	Brass	Tin
5	Socket contact	Phosphor	Gold
6	Lock washer	Steel	Nickel
7	Hex Nut	Brass	Nickel

ECN 2015-007	JC	4	11 Aug 15
PCB Layout	MS	3	28 Aug 09
CAD Issue	SN	2	07 Feb 02
First Issue	DH	1	06 Jan 98
DESCRIPTION OF REVISION	APPVD	ISS	DATE



11 Bilton Road,  
Chelmsford, Essex,  
CM1 2UP, UK.  
Tel: +44 (0) 1245 359515  
Fax: +44 (0) 1245 358938

SCALE: Not To Scale

DIMENSIONS: mm

TOLERANCES:  
± 0.2mm unless  
otherwise stated

DRAWN BY:

S Nash

CHECKED BY:

S Nash

APPROVED BY:

M Nielsen

DATE:

07 Feb 02

TITLE:

**Insulated BNC Vertical PCB  
Mount Jack With Screws**

PART NUMBER:

**VBI302**

PAGE: 1 of 1

# Mouser Electronics

Authorized Distributor

Click to View Pricing, Inventory, Delivery & Lifecycle Information:

[Cinch Connectivity Solutions:](#)

[VBI302](#)