

FAST RECOVERY RECTIFIER

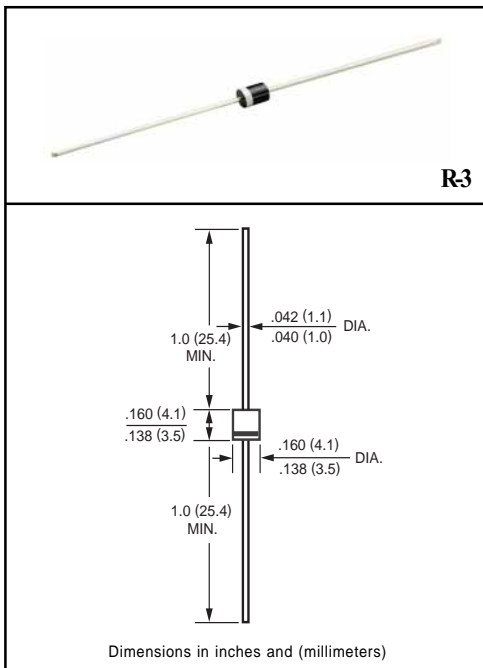
VOLTAGE RANGE 50 to 100 Volts CURRENT 2.5 Amperes

FEATURES

- * Fast switching
- * Low leakage
- * Low forward voltage drop
- * High current capability
- * High current surge
- * High reliability

MECHANICAL DATA

- * Case: Molded plastic
- * Epoxy: Device has UL flammability classification 94V-0
- * Lead: MIL-STD-202E method 208C guaranteed
- * Mounting position: Any
- * Weight: 0.54 gram



MAXIMUM RATINGS AND ELECTRICAL CHARACTERISTICS

Ratings at 25 °C ambient temperature unless otherwise specified.
Single phase, half wave, 60 Hz, resistive or inductive load.
For capacitive load, derate current by 20%.

MAXIMUM RATINGS (At TA = 25°C unless otherwise noted)

RATINGS	SYMBOL	FR251	FR252	FR253	FR254	FR255	FR255P	FR256	FR257	FR257P	UNITS
Maximum Recurrent Peak Reverse Voltage	V _{RRM}	50	100	200	400	600	600	800	1000	1000	Volts
Maximum RMS Voltage	V _{RMS}	35	70	140	280	420	420	560	700	700	Volts
Maximum DC Blocking Voltage	V _{DC}	50	100	200	400	600	600	800	1000	1000	Volts
Maximum Average Forward Rectified Current at TA= 75°C	I _O	2.5									Amps
Peak Forward Surge Current 8.3 ms single half sine-wave superimposed on rated load (JEDEC method)	I _{FSM}	150									Amps
Typical Junction Capacitance (Note 2)	C _J	60									pF
Operating and Storage Temperature Range	T _J , T _{STG}	-55 to + 150									°C

ELECTRICAL CHARACTERISTICS (At TA = 25°C unless otherwise noted)

CHARACTERISTICS	SYMBOL	FR251	FR252	FR253	FR254	FR255	FR255P	FR256	FR257	FR257P	UNITS
Maximum Instantaneous Forward Voltage at 2.5A DC	V _F	1.3									Volts
Maximum DC Reverse Current at Rated DC Blocking Voltage TA = 25°C	I _R	5.0									uAmps
Maximum Full Load Reverse Current Average, Full Cycle .375" (9.5mm) lead length at TL = 55°C		100									uAmps
Maximum Reverse Recovery Time (Note 1)	t _{rr}	150			250	150	500	250			nSec

NOTES : 1. Test Conditions: I_F = 0.5A, I_R = -1.0A, I_{RR} = -0.25A

2. Measured at 1 MHz and applied reverse voltage of 4.0 volts

RATING AND CHARACTERISTIC CURVES (FR251 THRU FR257)

FIG. 1 - TYPICAL FORWARD CURRENT DERATING CURVE

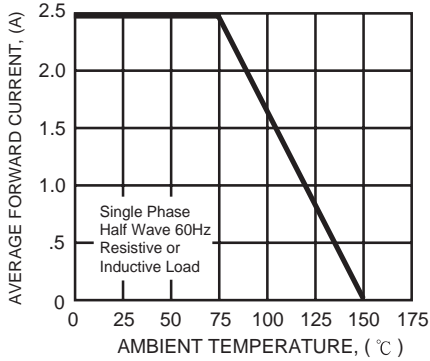


FIG. 3 - MAXIMUM NON-REPETITIVE FORWARD SURGE CURRENT

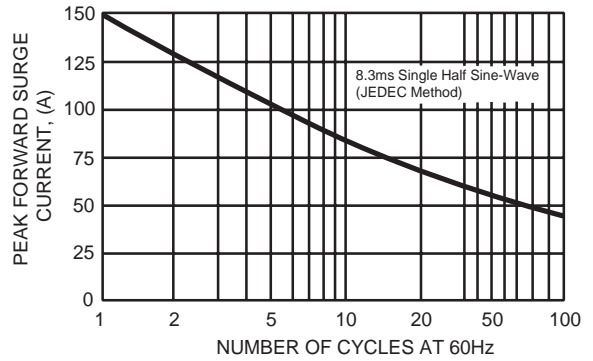


FIG. 3 - TYPICAL INSTANTANEOUS FORWARD CHARACTERISTICS

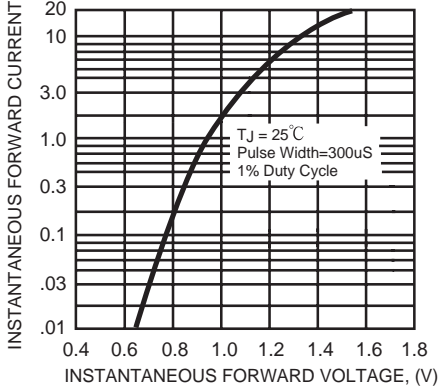


FIG. 4 - TYPICAL JUNCTION CAPACITANCE

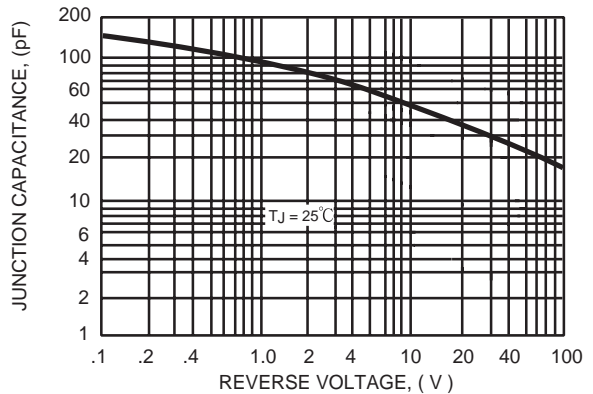
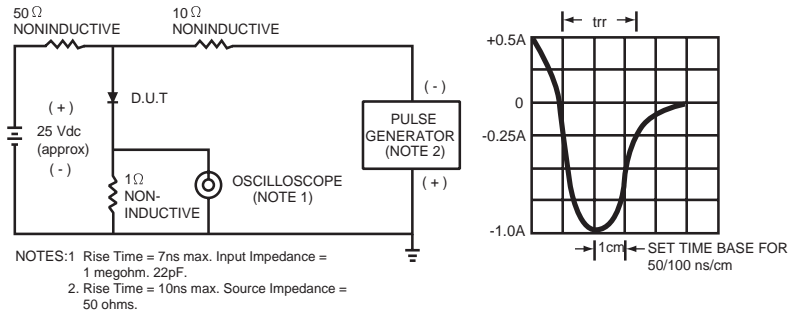


FIG. 5 - TEST CIRCUIT DIAGRAM AND REVERSE RECOVERY TIME CHARACTERISTIC



Mouser Electronics

Authorized Distributor

Click to View Pricing, Inventory, Delivery & Lifecycle Information:

[Rectron:](#)

[FR256-B](#) [FR256-T](#) [FR254-B](#) [FR254-T](#) [FR252-B](#) [FR252-T](#) [FR255-B](#) [FR257-B](#) [FR255-T](#) [FR251-T](#) [FR251-B](#)
[FR257-T](#) [FR253-T](#) [FR253-B](#) [FR253](#)