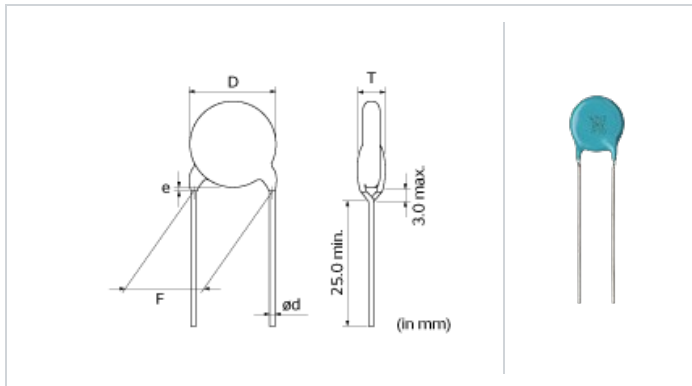




Last Time Buy Date: 31 Mar 2016

< List of part numbers with package codes >
DEA1X3A331JA2B

Shape



L size or outer diameter D (mm)	10.0 mm max.
T size	4.0 mm max.
Lead spacing F	5.0 ±1.0mm
Lead diameter d	0.6 ±0.05mm
Paint dripping e	Up to the end of crimp

Notes

Please use replacement

References

Packaging	Specifications	Minimum quantity
B	Packing in bulk	250

Specifications

Capacitance	330pF ±5%
Rated voltage	1000Vdc
Temperature characteristics (complied standard)	SL(JIS)
Temperature coefficient	+350 to -1000ppm/°C
Temperature range of temperature characteristics	20 to 85°C
Operating temperature range	-25 to 125°C

Attention

- 1.This datasheet is downloaded from the website of Murata Manufacturing Co., Ltd. Therefore, it's specifications are subject to change or our products in it may be discontinued without advance notice. Please check with our sales representatives or product engineers before ordering.
- 2.This datasheet has only typical specifications because there is no space for detailed specifications. Therefore, please review our product specifications or consult the approval sheet for product specifications before ordering.