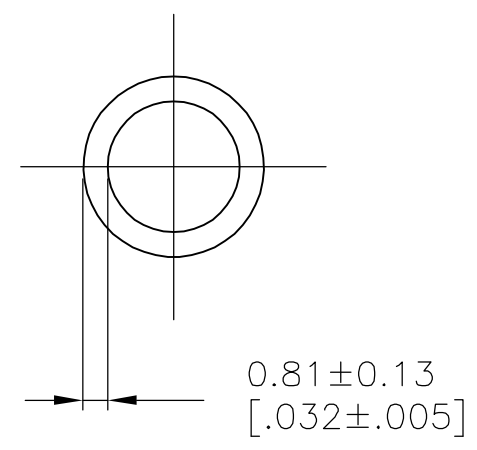
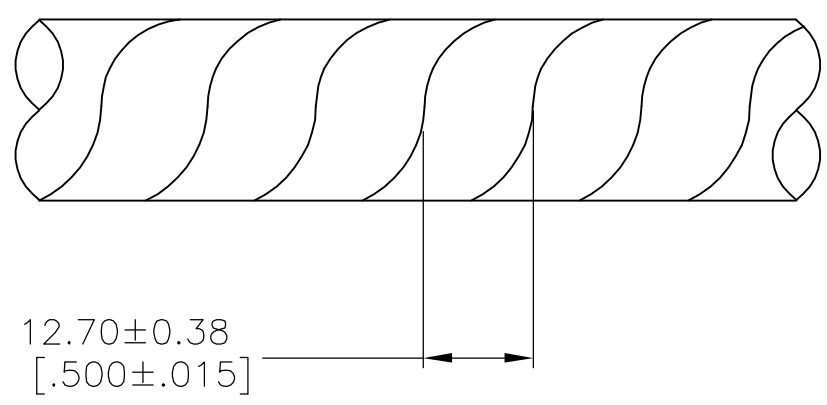


THIS DRAWING IS UNPUBLISHED. RELEASED FOR PUBLICATION
 © COPYRIGHT - BY TYCO ELECTRONICS CORPORATION. ALL RIGHTS RESERVED.

LOC	DIST	REVISIONS			
P	LTR	DESCRIPTION	DATE	DWN	APVD
CM	0				
	K2	ECO-06-017742	27JUL06	BSV	DC



1. MAX BUNDLE RANGE: 9.53[.375] TO 101.60[4.000].
2. WEIGHT PER 304.8M[1000ft]: 10.44kg[23lb].
3. OVERALL LENGTH TO BE WITHIN +1 Ft -0 Ft.
4. ONE SPLICE PER BOX IS ALLOWABLE.

15.24M[50ft]BOX	NATURAL	500017-1
LENGTH	COLOR	PART NUMBER

THIS DRAWING IS A CONTROLLED DOCUMENT.		DWN W.CHANDLER 17DEC93	Tyco Electronics Corporation Harrisburg, PA 17105-3608	
DIMENSIONS: mm [INCHES]		CHK W.CHANDLER 17DEC93		
TOLERANCES UNLESS OTHERWISE SPECIFIED:		APVD W.CHANDLER 17DEC93	NAME SPIRAP, NYLON 1/2 INCH DIAMETER	
		PRODUCT SPEC -	SIZE A3	
MATERIAL NYLON		APPLICATION SPEC -	CAGE CODE 00779	DRAWING NO C-500017
FINISH -		WEIGHT -	RESTRICTED TO -	
CUSTOMER DRAWING			SCALE 4:1	SHEET 1 OF 1
			REV K2	

Mouser Electronics

Authorized Distributor

Click to View Pricing, Inventory, Delivery & Lifecycle Information:

[TE Connectivity:](#)

[500017-1](#)