

NOTES:

1. MATERIALS:

- SHIELD - DEEP DRAWN STEEL
- HOUSING - GLASS FILLED POLYMER, BLACK, UL 94V-0
- CONTACTS - COPPER ALLOY
- JACKPOST - STAINLESS STEEL
- THREADED INSERT - BRASS

2. PLATING:

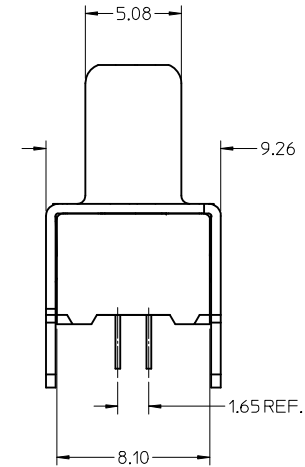
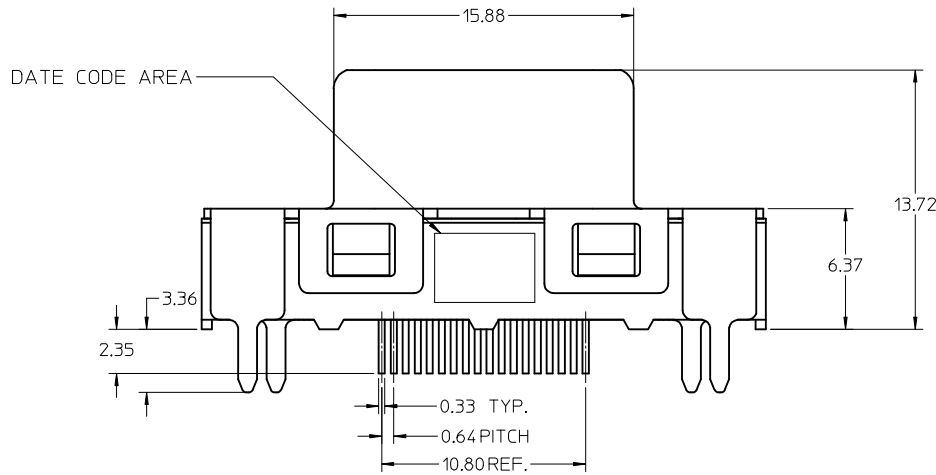
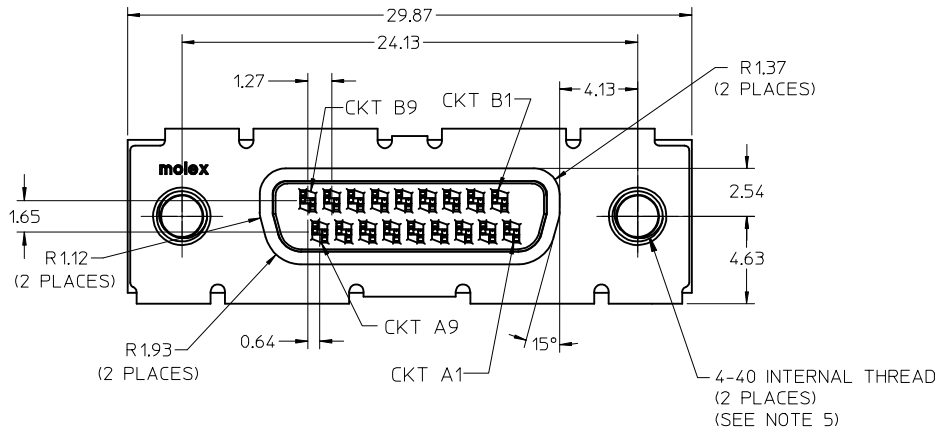
- SHIELD: 2.54 MICROMETERS MATTE TIN (Sn) MINIMUM OVER 1.27 MICROMETERS NICKEL (Ni) MINIMUM OVER COPPER (Cu) UNDERPLATE OVERALL.
- TERMINAL: SELECTIVE GOLD (Au) IN CONTACT AREA, THICKNESS: 0.38 MICROMETERS MINIMUM; SELECTIVE TIN (Sn) IN TAIL AREA, THICKNESS 2.54 MICROMETERS MINIMUM; NICKEL (Ni) UNDERPLATE OVERALL.

3. PARTS ARE PACKAGED IN TUBES. REFER TO PACKAGING SPECIFICATION PK-74960-995.

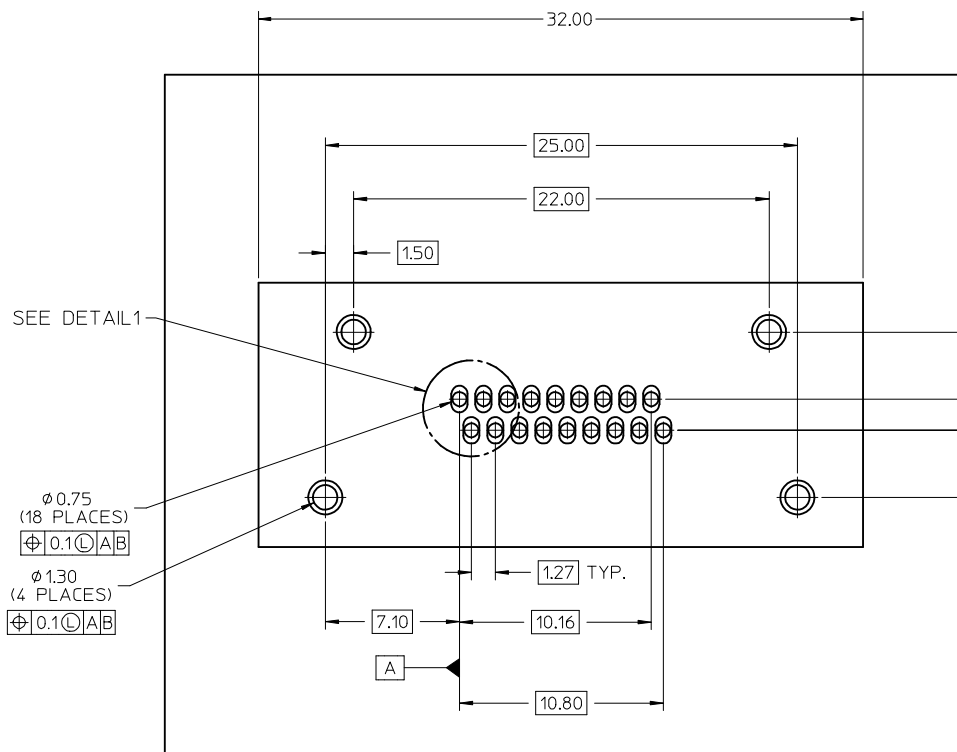
4. REFER TO SHEET 2 FOR RECOMMENDED PCB LAYOUT AND PANEL CUT-OUT.

5. PRODUCT CONFORMS TO MOLEX PRODUCT SPECIFICATION PS-74960-001.

6. OPERATING TEMP RANGE: -40° TO 105°C



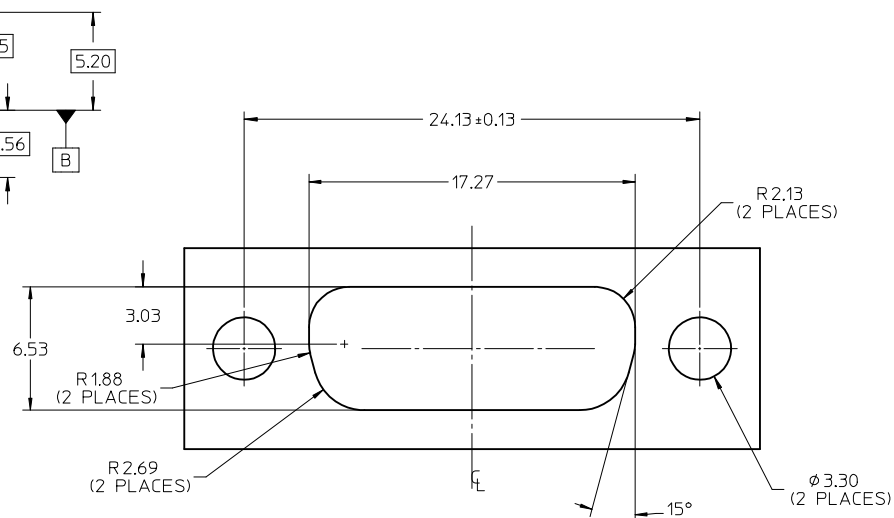
<b>MOD SHIELD PLATE NOTE</b> EC NO: UCP2015-2737 DRWNT:IBARRA 2015/01/09 CHKD:MCAN 2015/01/09 APPR:SMILLER 2015/04/09	QUALITY SYMBOLS	GENERAL TOLERANCES (UNLESS SPECIFIED)	DIMENSION STYLE <b>MM ONLY</b>	SCALE <b>5:1</b>	DESIGN UNITS <b>METRIC</b>	THIRD ANGLE PROJECTION
	▽=0	mm INCH	DRAWN BY DATE JJANTELEZ10 06/05/2008	TITLE <b>VERTICAL TDP FOR PCIE 1X</b>		
	▽=0	4 PLACES ± --- ± ---	CHECKED BY DATE	APPROVED BY DATE MBANAKIS 2010/10/29		
	▽=0	3 PLACES ± --- ± ---	MATERIAL NO. <b>76641-0001</b>		DOCUMENT NO. <b>SD-76641-001</b>	SHEET NO. 1 OF 3
		ANGULAR ±1/2°	THIS DRAWING CONTAINS INFORMATION THAT IS PROPRIETARY TO MOLEX INCORPORATED AND SHOULD NOT BE USED WITHOUT WRITTEN PERMISSION			
		DRAFT WHERE APPLICABLE MUST REMAIN WITHIN DIMENSIONS				



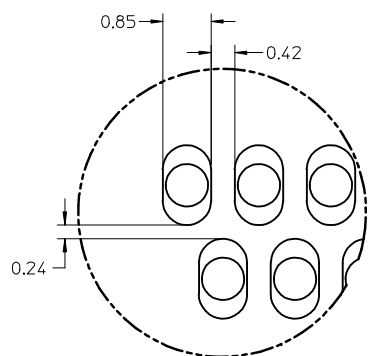
SEE DETAIL1

Ø 0.75  
(18 PLACES)  
⊕ 0.1 ⊙ AB

Ø 1.30  
(4 PLACES)  
⊕ 0.1 ⊙ AB



2.03 MAX  
PANEL THICKNESS



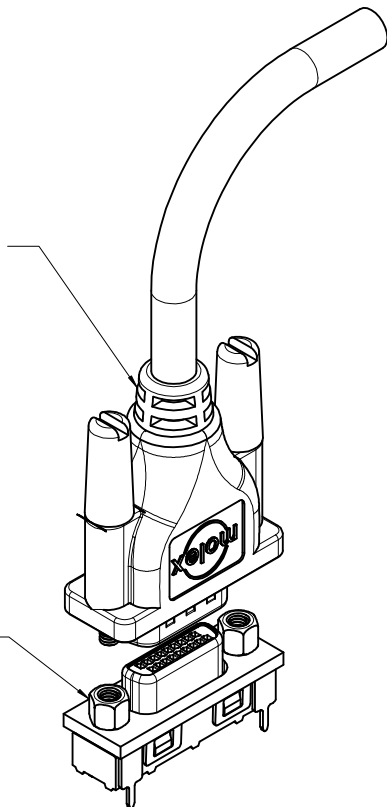
DETAIL1  
SCALE 15:1

<b>SEE SHEET 1</b> EC NO: UCP2015-2737 DRWNT: IBARRA 2015/01/09 CHKD: MCAIN 2015/01/09 APPR: MILLER 2015/04/09	QUALITY SYMBOLS ▽=0 ▽=0 ▽=0	GENERAL TOLERANCES (UNLESS SPECIFIED) <table border="1"> <thead> <tr> <th></th> <th>mm</th> <th>INCH</th> </tr> </thead> <tbody> <tr> <td>4 PLACES</td> <td>± ---</td> <td>± ---</td> </tr> <tr> <td>3 PLACES</td> <td>± ---</td> <td>± ---</td> </tr> <tr> <td>2 PLACES</td> <td>± 0.13</td> <td>± ---</td> </tr> <tr> <td>1 PLACE</td> <td>± 0.25</td> <td>± ---</td> </tr> <tr> <td>0 PLACE</td> <td>± ---</td> <td>± ---</td> </tr> </tbody> </table>		mm	INCH	4 PLACES	± ---	± ---	3 PLACES	± ---	± ---	2 PLACES	± 0.13	± ---	1 PLACE	± 0.25	± ---	0 PLACE	± ---	± ---	DIMENSION STYLE <b>MM ONLY</b> DRAWN BY DATE JJANTELEZ10 06/05/2008 CHECKED BY DATE	SCALE <b>5:1</b> DESIGN UNITS <b>METRIC</b> THIRD ANGLE PROJECTION	TITLE <b>VERTICAL TDP FOR PCIE 1X</b>
		mm	INCH																				
	4 PLACES	± ---	± ---																				
	3 PLACES	± ---	± ---																				
2 PLACES	± 0.13	± ---																					
1 PLACE	± 0.25	± ---																					
0 PLACE	± ---	± ---																					
		APPROVED BY DATE MBANAKIS 2010/10/29	<b>molex</b> DOCUMENT NO. SD-76641-001 SHEET NO. 2 OF 3																				
		MATERIAL NO. <b>76641-0001</b>																					
	DRAFT WHERE APPLICABLE MUST REMAIN WITHIN DIMENSIONS	ANGULAR ±1/2° SIZE C	THIS DRAWING CONTAINS INFORMATION THAT IS PROPRIETARY TO MOLEX INCORPORATED AND SHOULD NOT BE USED WITHOUT WRITTEN PERMISSION																				

STANDARD CONFIGURATION

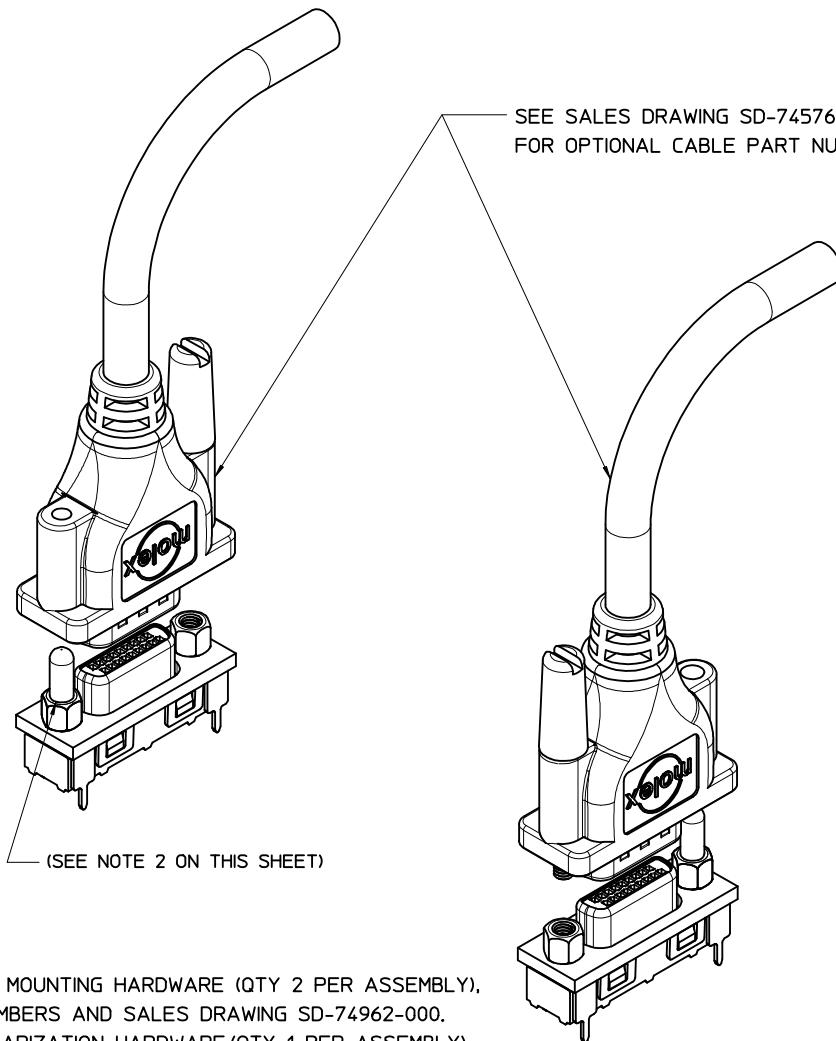
OPTIONAL CONFIGURATION

SEE SALES DRAWING SD-74576-000 FOR STANDARD CABLE PART NUMBER



(SEE NOTE 1 ON THIS SHEET)

SEE SALES DRAWING SD-74576-0300 FOR OPTIONAL CABLE PART NUMBER



(SEE NOTE 2 ON THIS SHEET)

1. RECOMMENDED JACK POST MOUNTING HARDWARE (QTY 2 PER ASSEMBLY), SEE CHART FOR ITEM NUMBERS AND SALES DRAWING SD-74962-000.
2. OPTIONAL JACK POST POLARIZATION HARDWARE.(QTY 1 PER ASSEMBLY), SEE CHART FOR ITEM NUMBER AND SALES DRAWING SD-74962-100.

RECOMMENDED JACKPOST INTERNAL THREAD OPTIONS (SEE NOTE 1 ON THIS SHEET)		OPTIONAL JACKPOST POLARIZATION HARDWARE (SEE NOTE 2 ON THIS SHEET)
4-40	M3	
74962-3000	74962-4000	74962-0200
<p>4-40 THREAD INTERNAL THREAD</p>		<p>4-40 THREAD</p>

SEE SHEET 1 EC NO: UCP2015-2737 DRWNT:IBARRA 2015/01/09 CHKD:MCALIN 2015/01/09 APPR:SMILLER 2015/04/09	QUALITY SYMBOLS ∇=0 ∇=0 ∇=0	GENERAL TOLERANCES (UNLESS SPECIFIED) <table border="1"> <tr> <th></th> <th>mm</th> <th>INCH</th> </tr> <tr> <td>4 PLACES</td> <td>± ---</td> <td>± ---</td> </tr> <tr> <td>3 PLACES</td> <td>± ---</td> <td>± ---</td> </tr> <tr> <td>2 PLACES</td> <td>± 0.13</td> <td>± ---</td> </tr> <tr> <td>1 PLACE</td> <td>± 0.25</td> <td>± ---</td> </tr> <tr> <td>0 PLACE</td> <td>± ---</td> <td>± ---</td> </tr> </table>		mm	INCH	4 PLACES	± ---	± ---	3 PLACES	± ---	± ---	2 PLACES	± 0.13	± ---	1 PLACE	± 0.25	± ---	0 PLACE	± ---	± ---	DIMENSION STYLE <b>MM ONLY</b> DRAWN BY DATE JJANTELEZ10 06/05/2008 CHECKED BY DATE	SCALE 2:1 DESIGN UNITS METRIC THIRD ANGLE PROJECTION	TITLE VERTICAL TDP FOR PCIE 1X
		mm	INCH																				
	4 PLACES	± ---	± ---																				
	3 PLACES	± ---	± ---																				
2 PLACES	± 0.13	± ---																					
1 PLACE	± 0.25	± ---																					
0 PLACE	± ---	± ---																					
		APPROVED BY DATE MBANAKIS 2010/10/29	<b>molex</b>																				
		DRAFT WHERE APPLICABLE MUST REMAIN WITHIN DIMENSIONS	MATERIAL NO. <b>76641-0001</b>	DOCUMENT NO. <b>SD-76641-001</b>	SHEET NO. 3 OF 3																		
			THIS DRAWING CONTAINS INFORMATION THAT IS PROPRIETARY TO MOLEX INCORPORATED AND SHOULD NOT BE USED WITHOUT WRITTEN PERMISSION																				