

# CU16025-UX6J

## SIMPLIFIED DATASHEET

### Features

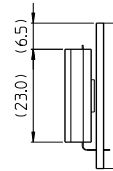
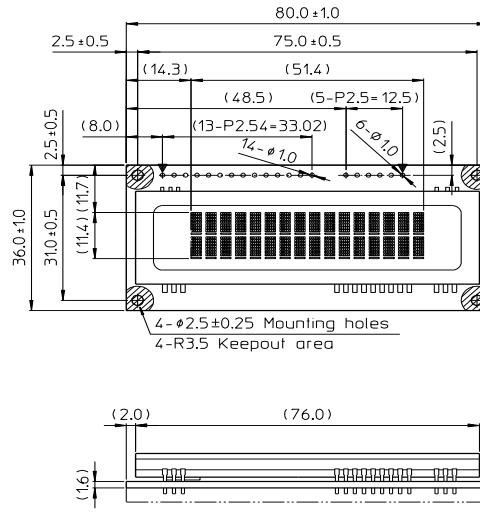
16 character x 2 line display.  
 LCD compatible, serial interface. Good for use as LCD drop-in replacement, or in various other applications. Higher brightness, from standard (CU16025-UW6J level) 1000cd/m<sup>2</sup> to up to 2000cd/m<sup>2</sup>.

### Get full specification



Click here to go to request form.

### Physical dimension



( ) : Reference only  
 Unit:mm

### Specifications

#### Electrical Ratings

Parameter	Symbol	Min.	Typ.	Max.	Unit	Condition
Logic Input Voltage DB0-DB7, RS,R/W(WR), E(RD),SCK, STB	VIH1	2.0	-	VCC	VDC	VCC-VSS= 5.0 V
	VIL1	VSS	-	0.8	VDC	
Logic Input Voltage SI/SO	VIH2	0.7VCC	-	VCC	VDC	VCC-VSS= 5.0 V
	VIL2	VSS	-	0.3VCC	VDC	
Logic Input Voltage /RESET	VIH3	0.8VCC	-	VCC	VDC	VCC-VSS= 5.0 V
	VIL3	VSS	-	0.2VCC	VDC	
Power supply Voltage	VCC-VSS	4.75	5.00	5.25	VDC	-

#### Physical Specifications

Parameter	Value	*ANK(Alphabet, Numeric, Kana)
Number of char.	32 (16 x 2)	
Built-in Fonts	5 x 7 ANK, International	
Display area	51.4 x 11.4 mm (X x Y)	
Character size	2.275 x 4.759 mm (X x Y)	
	Underline is not included.	
Character pitch	3.275 mm	
Line pitch	5.991 mm	
Weight	About 30 g	

#### Electrical Characteristics

Parameter	Symbol	Min.	Typ.	Max.	Unit	Condition
Logic Output Voltage 'H'	VOH	VCC-0.8	-	-	VDC	IOH = -4 mA
'L'	VOL	-	-	0.6	VDC	IOL = 4 mA
'H'	VOH	VCC-0.5	-	-	VDC	IOH = -2 mA
'L'	VOL	-	-	0.5	VDC	IOL = 2 mA
Power Supply Current #1	ICC1	-	180	240	mA	Display ON
Power Supply Current #2	ICC2	-	150	200	mA	Display ON
Power Supply Current 3	ICC3	-	3	10	mA	Display OFF
Power Consumption #1		-	0.90	1.20	W	Display ON
Power Consumption #2		-	0.75	1.00	W	Display ON

#1: Brightness 200% #2: Brightness 100%

#### Interface

8bit/4bit Parallel(TTL), Synchronous Serial (CMOS)

#### Pin Assignment (Parallel)

Pin No	Signal	Pin No	Signal
1	GND	8	DB1
2	VCC	9	DB2
3	NC	10	DB3
4	RS	11	DB4
5	R/W(WR)	12	DB5
6	E(RD)	13	DB6
7	DB0	14	DB7

(Synchronous Serial)

Pin No	Signal
1	VCC
2	SI/SO
3	GND
4	STB
5	SCK
6	NC

#### Optical Characteristics

Parameter	Value
Luminance	350 cd/m <sup>2</sup> Min.
#1	1000 cd/m <sup>2</sup> Typ.
#2	2000 cd/m <sup>2</sup> Typ.
Color of illumination	Green (Blue-Green)

#1: Brightness 100% #2: Brightness 200%

#### Environmental Conditions

Parameter	Value
Operating Temperature	-40 ~ +85 degrees celsius
Storage Temperature	-50 ~ +85 degrees celsius
Operating Humidity	20 ~ 80% R.H. (non-condensing)
Vibration (Non operation)	10-55-10Hz, all amplitude 1mm, 30 minutes, X-Y-Z
Shock (Non operation)	980m/s <sup>2</sup> (100G) 6ms

#### Functions

Parameter	Value
Brightness Boost function	
Command compatible with HD44780 LCD controller	
Display ON/OFF	
Brightness Control	
Cursor ON/OFF	
8 User definable character font	
etc.	



Leaflet contents, and specifications and external appearance of products, may change without notice.

Please confirm product details in the specification.

(C)Copyright NORITAKE ITRON CORP.