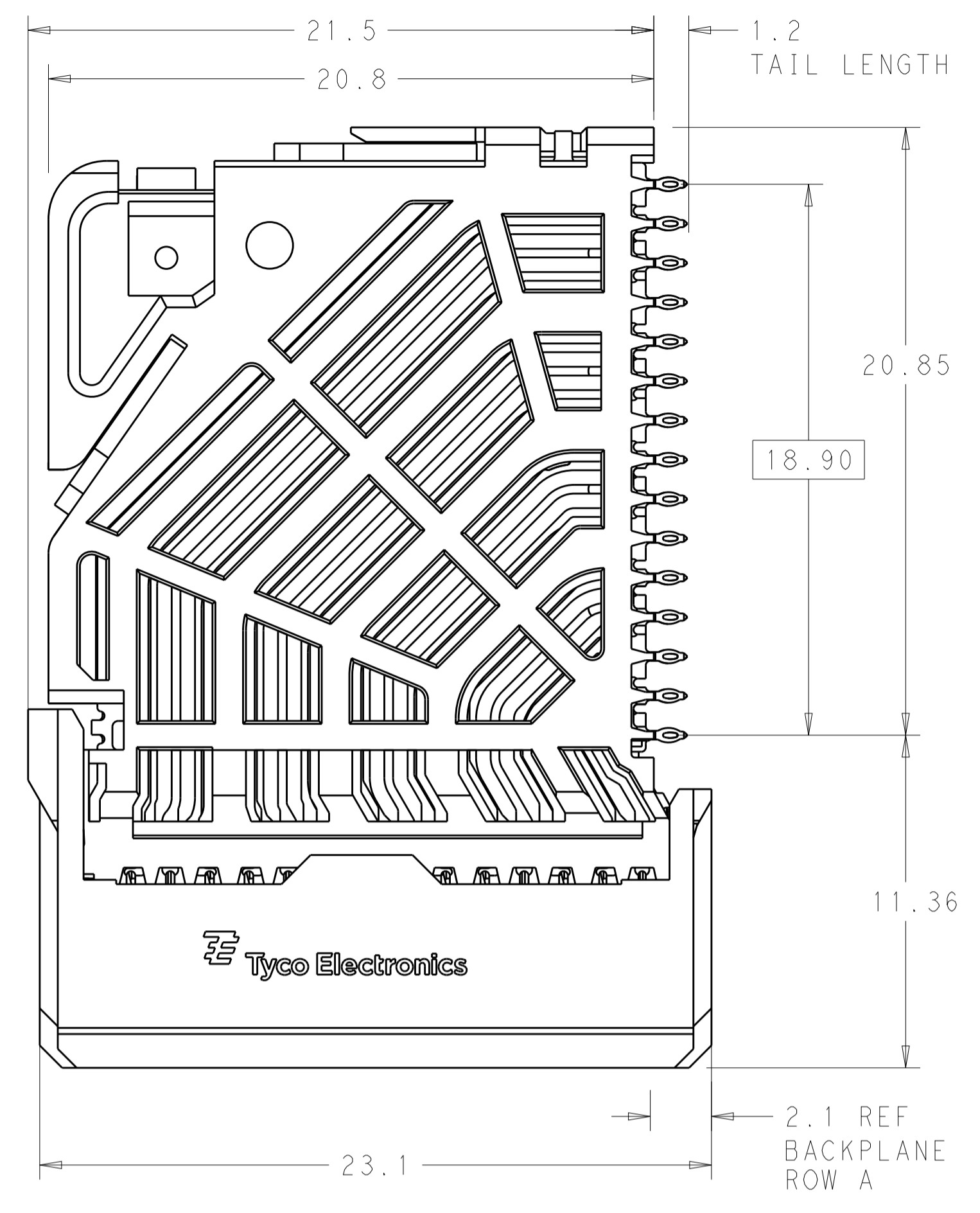
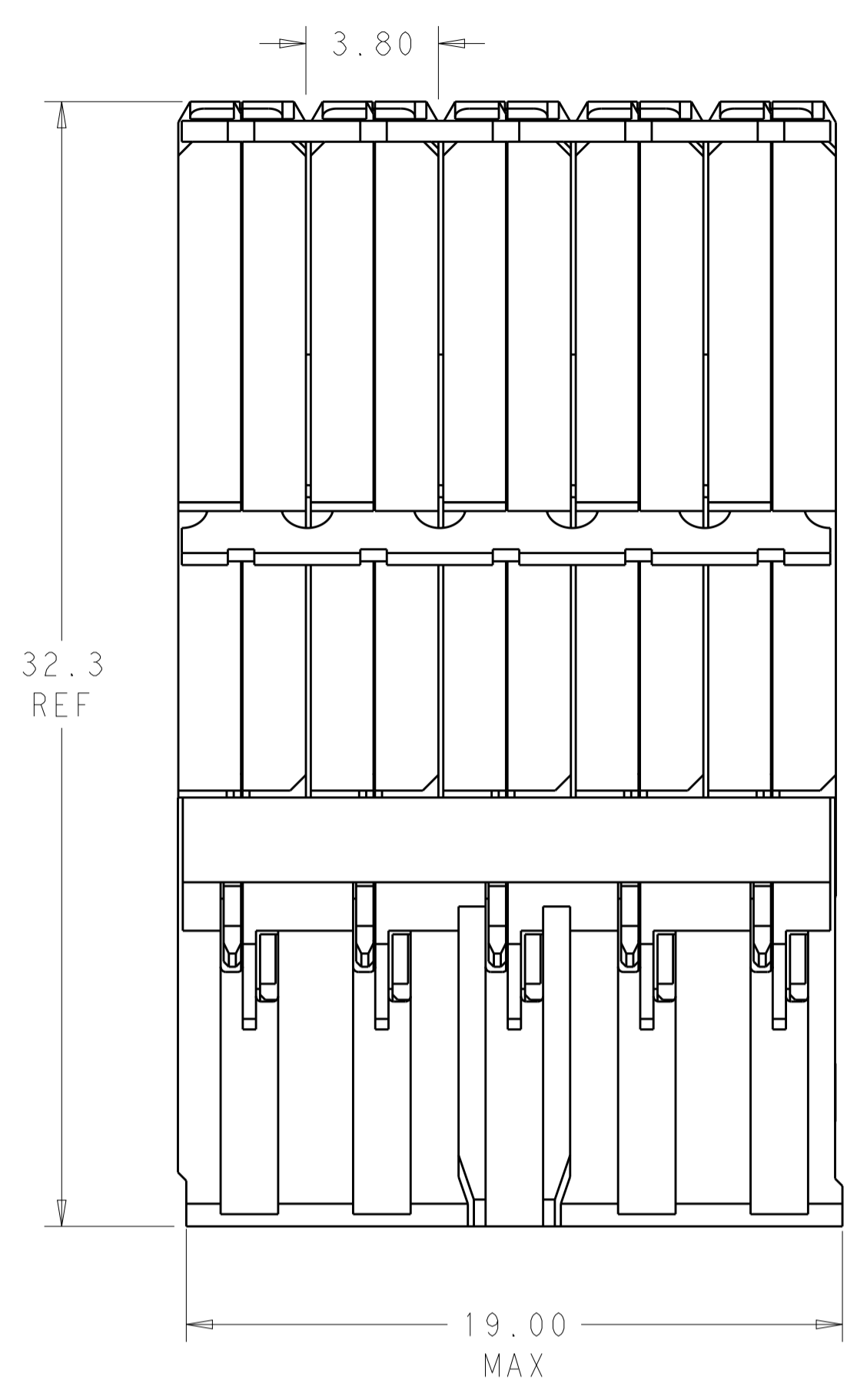
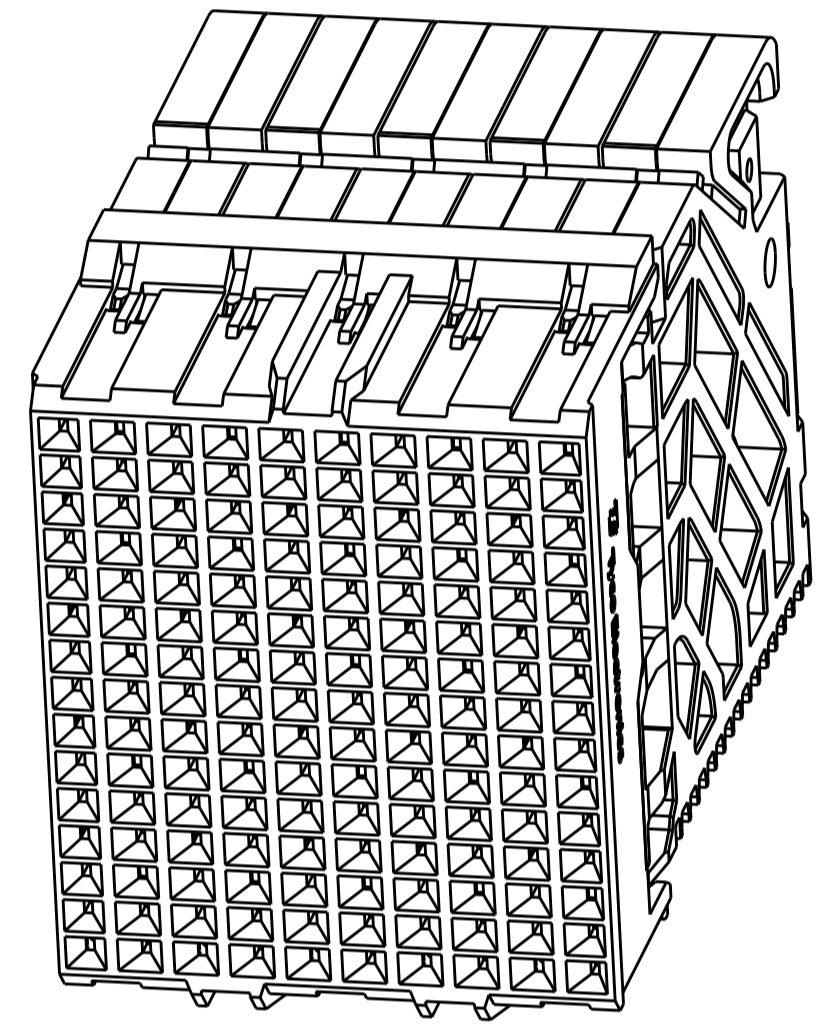


REVISIONS				
P.	LTN.	DESCRIPTION	DATE	APVD.
C2		REVISED PER ECO-15-004915	09APR2015	AP DD

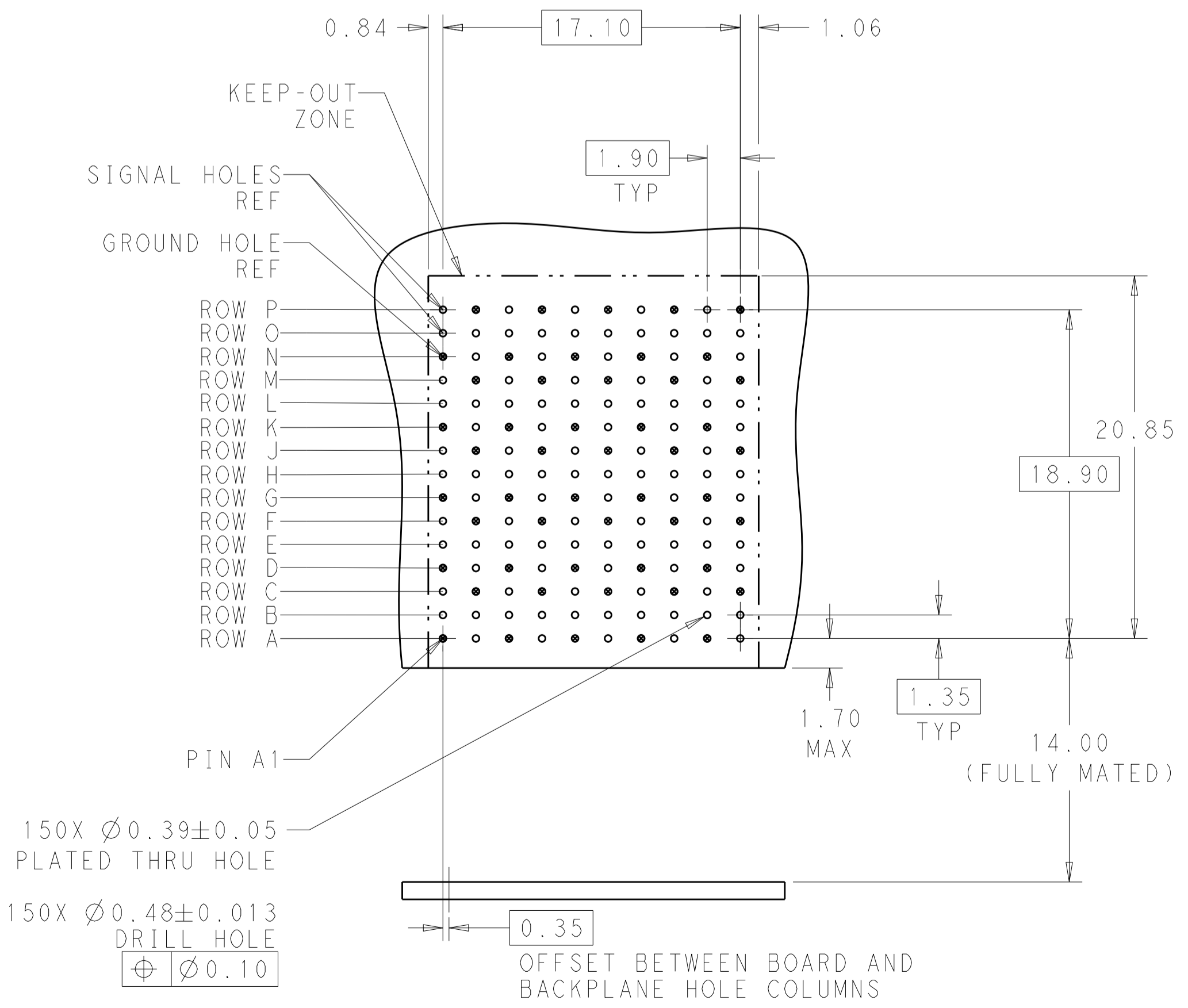
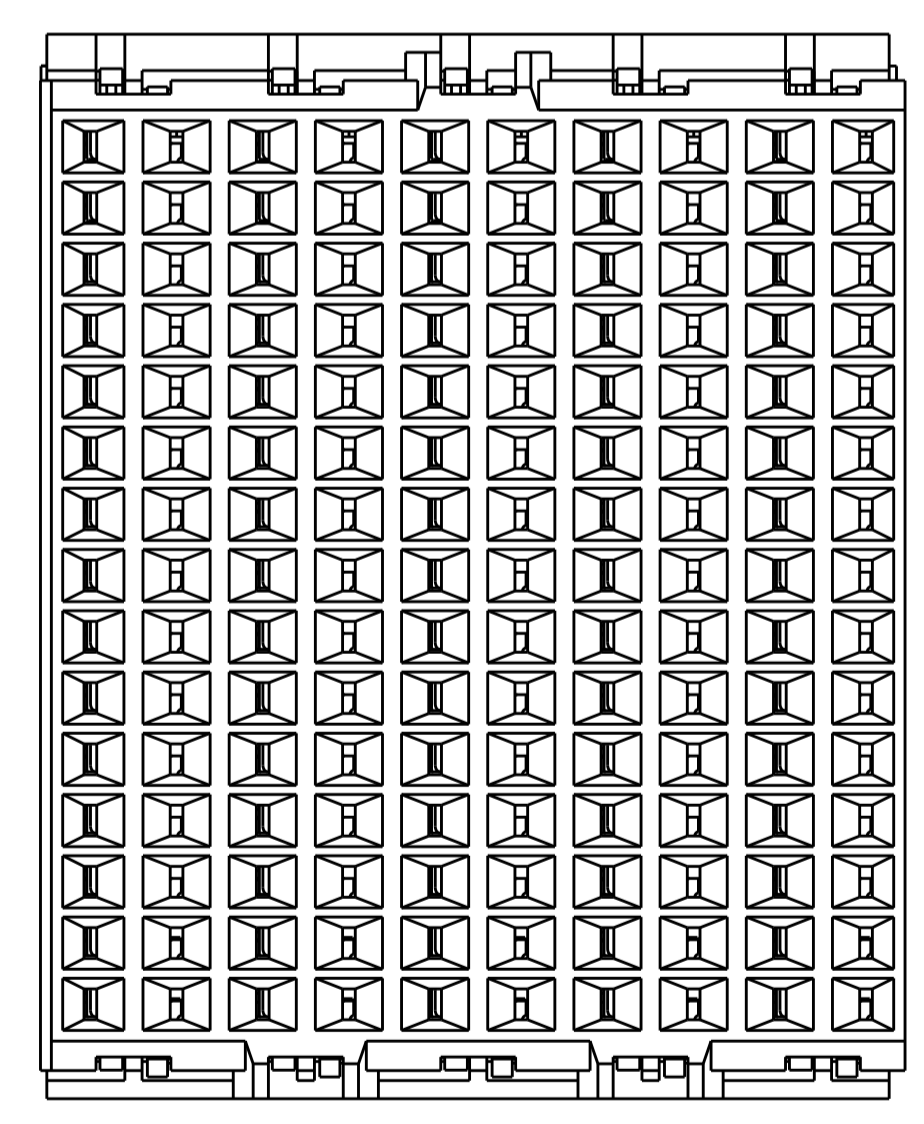


- ⚠ MATERIAL:
HOUSING: LCP, GLASS FILLED, UL94V-0.
TERMINALS: HIGH PERFORMANCE COPPER ALLOY.
- ⚠ FINISH:
30µ" SELECTIVE GOLD IN CONTACT AREA. SELECTIVE TIN ON PCB TAILS, NICKEL OVERALL.
- 3. CONNECTORS SUPPLIED WITH MOUNTING SCREW.



SCALE 4:1

REFER TO WWW.TE.COM FOR PRODUCT AVAILABILITY



150X Ø0.39±0.05 PLATED THRU HOLE
 150X Ø0.48±0.013 DRILL HOLE
 Ø0.10

RECOMMENDED PCB LAYOUT
 MIN BOARD THICKNESS 1.0

NONE	⚠	2110106-1
KEY POSITION	FINISH	PART NUMBER

THIS DRAWING IS A CONTROLLED DOCUMENT.		DWN J.K. SHOBER 19JAN2011	TE Connectivity
DIMENSIONS: mm		CHK D. DIXON 19JAN2011	
TOLERANCES UNLESS OTHERWISE SPECIFIED:		APVD D. DIXON 19JAN2011	NAME
0 PLC ±	1 PLC ±0.2	PRODUCT SPEC	IMPACT, 5 PAIR, DAUGHTERCARD
2 PLC ±0.13	3 PLC ±	APPLICATION SPEC	10 COLUMN, UNGUIDED, SIGNAL
4 PLC ±	ANGLES ±	WEIGHT	MODULE, 0.39 EYELET
MATERIAL	FINISH	SIZE CAGE CODE DRAWING NO	RESTRICTED TO
SEE TABLE	SEE TABLE	A100779C=2110106	
Customer Drawing		SCALE 6:1	SHEET 1 OF 1 REV C2

Mouser Electronics

Authorized Distributor

Click to View Pricing, Inventory, Delivery & Lifecycle Information:

[TE Connectivity:](#)

[2110106-1](#)