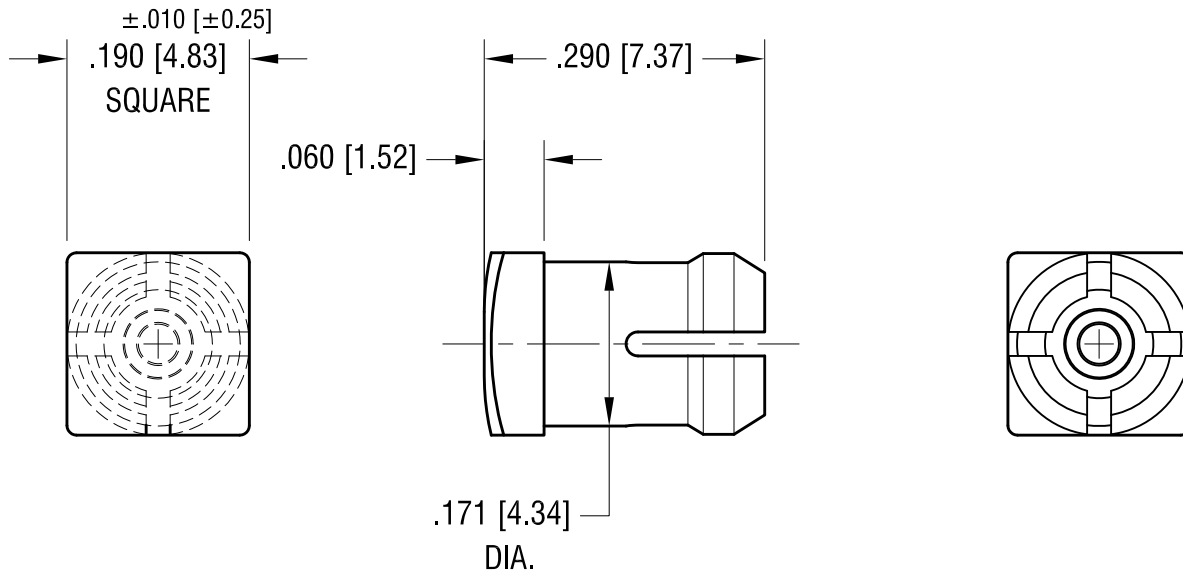


THIS DOCUMENT IS THE PROPERTY OF
KEYSTONE ELECTRONICS CORP. AND
SHALL NOT BE REPRODUCED, DISTRIBUTED
OR USED AS A BASIS FOR MANUFACTURE
WITHOUT PRIOR WRITTEN PERMISSION
FROM KEYSTONE ELECTRONICS CORP.

ACTUAL SIZE



NOTE:

- 1. MOUNTING:** $\pm .002$ [± 0.05]
MOUNTS IN A $.171$ [4.34] DIA. PANEL HOLE
ON $.250$ [6.35] CENTER.
PANEL THICKNESS $.063$ [1.60] TO $.125$ [3.17]
PANEL HOLE SHOULD BE DEBURRED, BUT NOT CHAMFERED.
- 2. ASSEMBLY:**
INSERT LENS THROUGH PANEL HOLE ,
AND INSERT LED INTO LENS

PART NO.	COLOR
8674	RED
8675	GREEN
8676	YELLOW
8677	CLEAR

DATE	DESCRIPTION	REV.
10.04.13	CHANGE AS PER ECN 13-080	A

KEYSTONE ELECTRONICS CORP.			
www.keyelco.com • ASTORIA, N.Y. 11105-2017 • Tel (718) 956-8900			
PART NAME			
LED SQUARE LENS CAP			
MATERIAL			
POLYCARBONATE			
FINISH		DRN BY	DATE
-		BOONE	2.9.96
		APP'D	SCALE
		LN	5X
TOLERANCES	INCH [MM]	CODE	DWG NO.
DECIMAL	$\pm .005$ [± 0.13]	C	8674-8677
ANGULAR	$\pm 1^\circ$		
UNLESS OTHERWISE SPECIFIED			

Mouser Electronics

Authorized Distributor

Click to View Pricing, Inventory, Delivery & Lifecycle Information:

[Keystone Electronics:](#)

[8674](#)